

 **BOEING**
COMPONENT
MAINTENANCE MANUAL

TO: ALL HOLDERS OF INBOARD TRAILING EDGE FLAP SUPPORT ASSEMBLY COMPONENT
MAINTENANCE MANUAL 57-53-31

REVISION NO. 14 DATED JUL 01/05

HIGHLIGHTS

Pages which have been added or revised are outlined below together with the highlights of the revision. Remove and insert the affected pages as listed and enter Revision No. and date on the Record of Revision Sheet.

CHAPTER/SECTION

AND PAGE NO.

DESCRIPTION OF CHANGE

REPAIR 3-1

604

Updated Miscellaneous Parts 7-1 and Fits and Clearances to include refinish information and torque values per latest engineering.

REPAIR 4-2

610-612

REPAIR 7-1

601-611

REPAIR 11-1

601

834-836

57-53-31

HIGHLIGHTS

01.1

Page 1

Jul 01/05

INBOARD TRAILING EDGE FLAP SUPPORT ASSEMBLY

PART NUMBERS 113T1200-15 THRU -20,-23,-24,-29,
-30,-33,-34,-43 THRU -46,
-51 THRU -62,-65 THRU -68,
-71 THRU -76,-85,-86,-97,
-98,-101,-102,-109,-110,
-117,-118,-139,-140,-143,
-144,-155,-156,-159,-160,
-241,-242,-245,-246,-249,
-250,-321,-322

COMPONENT MAINTENANCE MANUAL
WITH
ILLUSTRATED PARTS LIST

57-53-31

TITLE PAGE

Page 1

Nov 01/03

01.1



REVISION RECORD

- Retain this record in front of manual. On receipt of revision, insert revised pages in the manual, and enter revision number, date inserted and initial.

REVISION NUMBER	REVISION DATE	DATE FILED	BY	REVISION NUMBER	REVISION DATE	DATE FILED	BY

57-53-31

REVISION RECORD

01

Page 1

Jul 10/83



TEMPORARY REVISION AND SERVICE BULLETIN RECORD

BOEING SERVICE BULLETIN	BOEING TEMPORARY REVISION	OTHER DIRECTIVE	DATE OF INCORPORATION INTO MANUAL
27-80R1 27-0154 27-0154A1		PRR B10450 PRR C12218-1 PRR B11313 PRR B11528 PRR B11528-1 PRR B12900-150	JAN 10/85 JAN 10/85 APR 10/86 JAN 10/87 APR 01/89 APR 01/92 JUL 01/99 NOV 01/03

57-53-31

TR & SB RECORD

01.1

Page 1

Nov 01/03


BOEING
 COMPONENT
 MAINTENANCE MANUAL

PAGE	DATE	CODE	PAGE	DATE	CODE
57-53-31			REPAIR-GENERAL		CONT.
			604	APR 10/86	01.101
TITLE PAGE			REPAIR 1-1		
1	NOV 01/03	01.1	601	NOV 01/03	01.1
2	BLANK		602	BLANK	
REVISION RECORD			REPAIR 2-1		
1	JUL 10/83	01	601	NOV 01/03	01.1
2	BLANK		602	NOV 01/03	01.1
TR & SB RECORD			603	NOV 01/03	01.1
1	NOV 01/03	01.1	604	MAR 01/00	01.1
2	BLANK		605	NOV 01/03	01.1
LIST OF EFFECTIVE PAGES			606	NOV 01/03	01.1
*1	JUL 01/05	01	607	NOV 01/03	01.1
THRU LAST PAGE			608	NOV 01/03	01.1
609	NOV 01/03	01.1	610	NOV 01/03	01.1
CONTENTS			611	NOV 01/03	01.1
1	NOV 01/03	01.1	612	NOV 01/03	01.1
2	BLANK		613	NOV 01/03	01.1
INTRODUCTION			614	NOV 01/03	01.1
1	APR 01/92	01.1	615	NOV 01/03	01.1
2	BLANK		616	NOV 01/03	01.1
DESCRIPTION & OPERATION			617	NOV 01/03	01.1
1	APR 01/89	01.1	618	NOV 01/03	01.1
2	BLANK		619	NOV 01/03	01.1
DISASSEMBLY			620	NOV 01/03	01.1
301	OCT 10/83	01.1	621	NOV 01/03	01.1
302	BLANK		622	NOV 01/03	01.1
CHECK			623	NOV 01/03	01.1
501	NOV 01/03	01.1	624	NOV 01/03	01.1
502	BLANK		625	NOV 01/03	01.1
REPAIR-GENERAL			626	NOV 01/03	01.1
601	MAR 01/00	01.1	627	NOV 01/03	01.1
602	NOV 01/03	01.1	628	NOV 01/03	01.1
603	NOV 01/03	01.1	REPAIR 3-1		
			601	MAR 01/00	01.1
			602	MAR 01/00	01.1
			603	NOV 01/03	01.1
			*604	JUL 01/05	01.1

* = REVISED, ADDED OR DELETED

57-53-31

EFFECTIVE PAGES
CONTINUED Page 1
01 Jul 01/05

PAGE	DATE	CODE	PAGE	DATE	CODE
REPAIR 4-1			REPAIR 7-1		CONT.
601	APR 10/86	01.1	*609	JUL 01/05	01.1
602	APR 10/86	01.1	*610	JUL 01/05	01.1
603	APR 10/86	01.1	*611	JUL 01/05	01.1
604	APR 01/89	01.1	*612	JUL 01/05	01.101
REPAIR 4-2			REPAIR 8-1		
601	NOV 01/03	01.1	601	APR 01/89	01.1
602	NOV 01/03	01.1	602	MAR 01/00	01.1
603	NOV 01/03	01.1	603	APR 01/89	01.1
604	NOV 01/03	01.1	604	APR 01/89	01.1
605	NOV 01/03	01.1			
606	NOV 01/03	01.1	REPAIR 9-1		
607	NOV 01/03	01.1	601	MAR 01/00	01.1
608	NOV 01/03	01.1	602	MAR 01/00	01.1
609	NOV 01/03	01.1			
*610	JUL 01/05	01.1	REPAIR 10-1		
*611	JUL 01/05	01.1	601	MAR 01/00	01.1
*612	JUL 01/05	01.1	602	MAR 01/00	01.1
REPAIR 5-1			REPAIR 11-1		
601	MAR 01/00	01.1	*601	JUL 01/05	01.1
602	MAR 01/00	01.1	*602	BLANK	
603	MAR 01/00	01.1	ASSEMBLY		
604	MAR 01/00	01.1	701	NOV 01/03	01.1
605	MAR 01/00	01.1	702	NOV 01/03	01.1
606	MAR 01/00	01.1	703	NOV 01/03	01.1
REPAIR 6-1			704	BLANK	
601	MAR 01/00	01.1	FITS AND CLEARANCES		
602	MAR 01/00	01.1	801	APR 10/86	01.1
603	MAR 01/00	01.1	802	APR 10/86	01.1
604	MAR 01/00	01.1	803	JAN 10/87	01.1
REPAIR 7-1			804	APR 10/86	01.1
*601	JUL 01/05	01.1	805	APR 10/86	01.1
*602	JUL 01/05	01.1	806	APR 10/86	01.1
*603	JUL 01/05	01.1	807	MAR 01/00	01.1
*604	JUL 01/05	01.1	808	APR 10/86	01.1
*605	JUL 01/05	01.1	809	APR 01/89	01.1
*606	JUL 01/05	01.1	810	APR 01/89	01.1
*607	JUL 01/05	01.1	811	APR 01/89	01.1
*608	JUL 01/05	01.1	812	MAR 01/00	01.1

* = REVISED, ADDED OR DELETED

57-53-31

 EFFECTIVE PAGES
 CONTINUED Page 2
 01 Jul 01/05



BOEING
 COMPONENT
 MAINTENANCE MANUAL

PAGE	DATE	CODE	PAGE	DATE	CODE
FITS AND CLEARANCES			ILLUSTRATED PARTS LIST		
		CONT.			CONT.
813	APR 01/89	01.1	1017	NOV 01/03	01.1
814	JAN 10/87	01.1	1018	NOV 01/03	01.1
815	APR 10/86	01.1	1019	NOV 01/03	01.1
816	JAN 10/87	01.1	1020	NOV 01/03	01.1
817	JAN 10/87	01.1	1021	NOV 01/03	01.1
818	APR 10/86	01.1	1022	NOV 01/03	01.1
819	JAN 10/87	01.1	1023	NOV 01/03	01.1
820	MAR 01/00	01.1	1024	NOV 01/03	01.1
821	MAR 01/00	01.1	1025	NOV 01/03	01.1
822	MAR 01/00	01.1	1026	NOV 01/03	01.1
823	MAR 01/00	01.1	1027	NOV 01/03	01.1
824	MAR 01/00	01.1	1028	NOV 01/03	01.1
825	MAR 01/00	01.1	1029	NOV 01/03	01.1
826	MAR 01/00	01.1	1030	NOV 01/03	01.1
827	MAR 01/00	01.1	1031	NOV 01/03	01.1
828	MAR 01/00	01.1	1032	NOV 01/03	01.1
829	MAR 01/00	01.1	1033	NOV 01/03	01.1
830	MAR 01/00	01.1	1034	NOV 01/03	01.1
831	MAR 01/00	01.1	1035	NOV 01/03	01.1
832	MAR 01/00	01.1	1036	NOV 01/03	01.1
833	MAR 01/00	01.1	1037	NOV 01/03	01.1
*834	JUL 01/05	01.1	1038	NOV 01/03	01.1
*835	JUL 01/05	01.1	1039	NOV 01/03	01.1
*836	JUL 01/05	01.1	1040	NOV 01/03	01.1
			1041	NOV 01/03	01.1
			1042	NOV 01/03	01.1
			1043	NOV 01/03	01.1
			1044	NOV 01/03	01.1
			1045	NOV 01/03	01.1
			1046	NOV 01/03	01.1
			1047	NOV 01/03	01.1
			1048	NOV 01/03	01.1
			1049	NOV 01/03	01.1
			1050	NOV 01/03	01.1
			1051	NOV 01/03	01.1
			1052	NOV 01/03	01.1
			1053	NOV 01/03	01.1
			1054	NOV 01/03	01.1
			1055	NOV 01/03	01.1
			1056	NOV 01/03	01.1
			1057	NOV 01/03	01.1
			1058	NOV 01/03	01.1

* = REVISED, ADDED OR DELETED

57-53-31

EFFECTIVE PAGES
 CONTINUED Page 3
 01 Jul 01/05

PAGE	DATE	CODE	PAGE	DATE	CODE
ILLUSTRATED PARTS LIST		CONT.	ILLUSTRATED PARTS LIST		CONT.
1059	NOV 01/03	01.1	1080U	NOV 01/03	01.1
1060	NOV 01/03	01.1	1080V	NOV 01/03	01.1
1061	NOV 01/03	01.1	1080W	NOV 01/03	01.1
1062	NOV 01/03	01.1	1080X	NOV 01/03	01.1
1063	NOV 01/03	01.1	1080Y	NOV 01/03	01.1
1064	NOV 01/03	01.1	1080Z	NOV 01/03	01.1
1065	NOV 01/03	01.1	1081	NOV 01/03	01.1
1066	NOV 01/03	01.1	1082	NOV 01/03	01.1
1067	BLANK		1082A	NOV 01/03	01.1
1068	NOV 01/03	01.1	1082B	NOV 01/03	01.1
1069	NOV 01/03	01.1	1082C	NOV 01/03	01.1
1070	NOV 01/03	01.1	1082D	NOV 01/03	01.1
1071	NOV 01/03	01.1	1082E	NOV 01/03	01.1
1072	NOV 01/03	01.1	1082F	NOV 01/03	01.1
1073	NOV 01/03	01.1	1082G	NOV 01/03	01.1
1074	NOV 01/03	01.1	1082H	NOV 01/03	01.1
1075	NOV 01/03	01.1	1082I	NOV 01/03	01.1
1076	NOV 01/03	01.1	1082J	NOV 01/03	01.1
1077	NOV 01/03	01.1	1082K	NOV 01/03	01.1
1078	NOV 01/03	01.1	1082L	NOV 01/03	01.1
1079	NOV 01/03	01.1	1082M	NOV 01/03	01.1
1080	NOV 01/03	01.1	1082N	NOV 01/03	01.1
1080A	NOV 01/03	01.1	1082O	NOV 01/03	01.1
1080B	NOV 01/03	01.1	1082P	NOV 01/03	01.1
1080C	NOV 01/03	01.1	1082Q	NOV 01/03	01.1
1080D	NOV 01/03	01.1	1082R	NOV 01/03	01.1
1080E	NOV 01/03	01.1	1082S	NOV 01/03	01.1
1080F	NOV 01/03	01.1	1082T	NOV 01/03	01.1
1080G	NOV 01/03	01.1	1082U	NOV 01/03	01.1
1080H	NOV 01/03	01.1	1082V	NOV 01/03	01.1
1080I	NOV 01/03	01.1	1082W	NOV 01/03	01.1
1080J	NOV 01/03	01.1	1082X	NOV 01/03	01.1
1080K	NOV 01/03	01.1	1082Y	NOV 01/03	01.1
1080L	NOV 01/03	01.1	1082Z	NOV 01/03	01.1
1080M	NOV 01/03	01.1	1083	NOV 01/03	01.1
1080N	NOV 01/03	01.1	1084	NOV 01/03	01.1
1080O	NOV 01/03	01.1	1084A	NOV 01/03	01.1
1080P	NOV 01/03	01.1	1084B	NOV 01/03	01.1
1080Q	NOV 01/03	01.1	1084C	NOV 01/03	01.1
1080R	NOV 01/03	01.1	1084D	NOV 01/03	01.1
1080S	NOV 01/03	01.1	1084E	NOV 01/03	01.1
1080T	NOV 01/03	01.1	1084F	NOV 01/03	01.1

* = REVISED, ADDED OR DELETED

57-53-31

EFFECTIVE PAGES
 CONTINUED Page 4
 01 Jul 01/05


BOEING
 COMPONENT
 MAINTENANCE MANUAL

PAGE	DATE	CODE	PAGE	DATE	CODE
ILLUSTRATED PARTS LIST		CONT.	ILLUSTRATED PARTS LIST		CONT.
1084G	NOV 01/03	01.1	1086U	NOV 01/03	01.1
1084H	NOV 01/03	01.1	1086V	NOV 01/03	01.1
1084I	NOV 01/03	01.1	1086W	NOV 01/03	01.1
1084J	NOV 01/03	01.1	1086X	NOV 01/03	01.1
1084K	NOV 01/03	01.1	1086Y	NOV 01/03	01.1
1084L	NOV 01/03	01.1	1086Z	NOV 01/03	01.1
1084M	NOV 01/03	01.1	1087	NOV 01/03	01.1
1084N	NOV 01/03	01.1	1088	NOV 01/03	01.1
1084O	NOV 01/03	01.1	1088A	NOV 01/03	01.1
1084P	NOV 01/03	01.1	1088B	NOV 01/03	01.1
1084Q	NOV 01/03	01.1	1088C	NOV 01/03	01.1
1084R	NOV 01/03	01.1	1088D	NOV 01/03	01.1
1084S	NOV 01/03	01.1	1088E	NOV 01/03	01.1
1084T	NOV 01/03	01.1	1088F	NOV 01/03	01.1
1084U	NOV 01/03	01.1	1088G	NOV 01/03	01.1
1084V	NOV 01/03	01.1	1088H	NOV 01/03	01.1
1084W	NOV 01/03	01.1	1088I	NOV 01/03	01.1
1084X	NOV 01/03	01.1	1088J	NOV 01/03	01.1
1084Y	NOV 01/03	01.1	1088K	NOV 01/03	01.1
1084Z	NOV 01/03	01.1	1088L	NOV 01/03	01.1
1085	NOV 01/03	01.1	1088M	NOV 01/03	01.1
1086	NOV 01/03	01.1	1088N	NOV 01/03	01.1
1086A	NOV 01/03	01.1	1088O	NOV 01/03	01.1
1086B	NOV 01/03	01.1	1088P	NOV 01/03	01.1
1086C	NOV 01/03	01.1	1088Q	NOV 01/03	01.1
1086D	NOV 01/03	01.1	1088R	NOV 01/03	01.1
1086E	NOV 01/03	01.1	1088S	NOV 01/03	01.1
1086F	NOV 01/03	01.1	1088T	NOV 01/03	01.1
1086G	NOV 01/03	01.1	1088U	NOV 01/03	01.1
1086H	NOV 01/03	01.1	1088V	NOV 01/03	01.1
1086I	NOV 01/03	01.1	1088W	NOV 01/03	01.1
1086J	NOV 01/03	01.1	1088X	NOV 01/03	01.1
1086K	NOV 01/03	01.1	1088Y	NOV 01/03	01.1
1086L	NOV 01/03	01.1	1088Z	NOV 01/03	01.1
1086M	NOV 01/03	01.1	1089	NOV 01/03	01.1
1086N	NOV 01/03	01.1	1090	NOV 01/03	01.1
1086O	NOV 01/03	01.1	1090A	NOV 01/03	01.1
1086P	NOV 01/03	01.1	1090B	NOV 01/03	01.1
1086Q	NOV 01/03	01.1	1090C	NOV 01/03	01.1
1086R	NOV 01/03	01.1	1090D	NOV 01/03	01.1
1086S	NOV 01/03	01.1	1090E	NOV 01/03	01.1
1086T	NOV 01/03	01.1	1090F	NOV 01/03	01.1

* = REVISED, ADDED OR DELETED

57-53-31

EFFECTIVE PAGES

CONTINUED Page 5

01 Jul 01/05

PAGE	DATE	CODE	PAGE	DATE	CODE
ILLUSTRATED	PARTS LIST	CONT.	ILLUSTRATED	PARTS LIST	CONT.
1090G	NOV 01/03	01.1	1092U	NOV 01/03	01.1
1090H	NOV 01/03	01.1	1092V	NOV 01/03	01.1
1090I	NOV 01/03	01.1	1092W	NOV 01/03	01.1
1090J	NOV 01/03	01.1	1092X	NOV 01/03	01.1
1090K	NOV 01/03	01.1	1092Y	NOV 01/03	01.1
1090L	NOV 01/03	01.1	1092Z	NOV 01/03	01.1
1090M	NOV 01/03	01.1	1093	NOV 01/03	01.1
1090N	NOV 01/03	01.1	1094	NOV 01/03	01.1
1090O	NOV 01/03	01.1	1094A	NOV 01/03	01.1
1090P	NOV 01/03	01.1	1094B	NOV 01/03	01.1
1090Q	NOV 01/03	01.1	1094C	NOV 01/03	01.1
1090R	NOV 01/03	01.1	1094D	NOV 01/03	01.1
1090S	NOV 01/03	01.1	1094E	NOV 01/03	01.1
1090T	NOV 01/03	01.1	1094F	NOV 01/03	01.1
1090U	NOV 01/03	01.1	1094G	NOV 01/03	01.1
1090V	NOV 01/03	01.1	1094H	NOV 01/03	01.1
1090W	NOV 01/03	01.1	1094I	NOV 01/03	01.1
1090X	NOV 01/03	01.1	1094J	NOV 01/03	01.1
1090Y	NOV 01/03	01.1	1094K	NOV 01/03	01.1
1090Z	NOV 01/03	01.1	1094L	NOV 01/03	01.1
1091	NOV 01/03	01.1	1094M	NOV 01/03	01.1
1092	NOV 01/03	01.1	1094N	NOV 01/03	01.1
1092A	NOV 01/03	01.1	1094O	NOV 01/03	01.1
1092B	NOV 01/03	01.1	1094P	NOV 01/03	01.1
1092C	NOV 01/03	01.1	1094Q	NOV 01/03	01.1
1092D	NOV 01/03	01.1	1094R	NOV 01/03	01.1
1092E	NOV 01/03	01.1	1094S	NOV 01/03	01.1
1092F	NOV 01/03	01.1	1094T	NOV 01/03	01.1
1092G	NOV 01/03	01.1	1094U	NOV 01/03	01.1
1092H	NOV 01/03	01.1	1094V	NOV 01/03	01.1
1092I	NOV 01/03	01.1	1094W	NOV 01/03	01.1
1092J	NOV 01/03	01.1	1094X	NOV 01/03	01.1
1092K	NOV 01/03	01.1	1094Y	NOV 01/03	01.1
1092L	NOV 01/03	01.1	1094Z	NOV 01/03	01.1
1092M	NOV 01/03	01.1	1095	NOV 01/03	01.1
1092N	BLANK		1096	NOV 01/03	01.1
1092O	NOV 01/03	01.1	1096A	NOV 01/03	01.1
1092P	NOV 01/03	01.1	1096B	NOV 01/03	01.1
1092Q	NOV 01/03	01.1	1096C	NOV 01/03	01.1
1092R	NOV 01/03	01.1	1096D	NOV 01/03	01.1
1092S	NOV 01/03	01.1	1096E	NOV 01/03	01.1
1092T	NOV 01/03	01.1	1096F	NOV 01/03	01.1

* = REVISED, ADDED OR DELETED

57-53-31

 EFFECTIVE PAGES
 CONTINUED Page 6
 01 Jul 01/05


BOEING
 COMPONENT
 MAINTENANCE MANUAL

PAGE	DATE	CODE	PAGE	DATE	CODE
ILLUSTRATED	PARTS LIST	CONT.	ILLUSTRATED	PARTS LIST	CONT.
1096G	NOV 01/03	01.1	1098U	NOV 01/03	01.1
1096H	NOV 01/03	01.1	1098V	NOV 01/03	01.1
1096I	NOV 01/03	01.1	1098W	NOV 01/03	01.1
1096J	NOV 01/03	01.1	1098X	NOV 01/03	01.1
1096K	NOV 01/03	01.1			
1096L	NOV 01/03	01.1			
1096M	NOV 01/03	01.1			
1096N	NOV 01/03	01.1			
1096O	NOV 01/03	01.1			
1096P	NOV 01/03	01.1			
1096Q	NOV 01/03	01.1			
1096R	NOV 01/03	01.1			
1096S	NOV 01/03	01.1			
1096T	NOV 01/03	01.1			
1096U	NOV 01/03	01.1			
1096V	NOV 01/03	01.1			
1096W	NOV 01/03	01.1			
1096X	NOV 01/03	01.1			
1096Y	NOV 01/03	01.1			
1096Z	NOV 01/03	01.1			
1097	NOV 01/03	01.1			
1098	NOV 01/03	01.1			
1098A	NOV 01/03	01.1			
1098B	NOV 01/03	01.1			
1098C	NOV 01/03	01.1			
1098D	NOV 01/03	01.1			
1098E	NOV 01/03	01.1			
1098F	NOV 01/03	01.1			
1098G	NOV 01/03	01.1			
1098H	NOV 01/03	01.1			
1098I	NOV 01/03	01.1			
1098J	NOV 01/03	01.1			
1098K	NOV 01/03	01.1			
1098L	NOV 01/03	01.1			
1098M	NOV 01/03	01.1			
1098N	NOV 01/03	01.1			
1098O	NOV 01/03	01.1			
1098P	NOV 01/03	01.1			
1098Q	NOV 01/03	01.1			
1098R	NOV 01/03	01.1			
1098S	NOV 01/03	01.1			
1098T	NOV 01/03	01.1			

* = REVISED, ADDED OR DELETED

57-53-31

EFFECTIVE PAGES
 LAST PAGE Page 7
 01 Jul 01/05



TABLE OF CONTENTS

<u>Paragraph Title</u>	<u>Page</u>
Description and Operation.	1
Testing and Trouble Shooting (not applicable)	
Disassembly.	301
Cleaning * [1]	
Check.	501
Repair	601
Assembly	701
Fits and Clearances.	801
Special Tools (not applicable)	
Illustrated Parts List	1001

* [1] Special instructions not required. Use standard industry practices and information contained in SOPM 20-30-01 and 20-30-03.



INTRODUCTION

The instructions in this manual provide the information necessary to perform maintenance functions ranging from simple checks and replacement to complete shop-type repair.

This manual is divided into separate sections:

- | | |
|--|------------------------------|
| 1. Title Page | 4. List of Effective Pages |
| 2. Record of Revisions | 5. Table of Contents |
| 3. Temporary Revision &
Service Bulletin Record | 6. Introduction |
| | 7. Procedures & IPL Sections |

Refer to the Table of Contents for the page location of applicable sections. An asterisked flagnote *[] in place of the page number indicates that no special instructions are provided since the function can be performed using standard industry practices.

The beginning of the REPAIR section includes a list of the separate repairs, a list of applicable standard Boeing practices, and an explanation of the True Position Dimensioning symbols used.

An explanation of the use of the Illustrated Parts List is provided in the Introduction to that section.

All weights and measurements used in the manual are in English units, unless otherwise stated. When metric equivalents are given they will be in parentheses following the English units.

Design changes, optional parts, configuration differences and Service Bulletin modifications create alternate part numbers. These are identified in the Illustrated Parts List (IPL) by adding an alphabetical character to the basic item number. The resulting item number is called an alpha-variant. Throughout the manual, IPL basic item number references also apply to alpha-variants unless otherwise indicated.

Verification:

| Assembly July 20/82

57-53-31

INTRODUCTION

01.1

Page 1

Apr 01/92



INBOARD TRAILING EDGE FLAP SUPPORT ASSEMBLY

DESCRIPTION AND OPERATION

1. Description and Operation

A. The inboard trailing edge flap support assembly consists of aluminum ribs, fittings, and links which act together with other components to support the trailing edge flap. None of these parts are operational by themselves.

2. Leading Particulars (Approximate)

Length	-- 47 inches (113T1200-19,-20,-23,-24,-29,-30,-33,-34,-43,-44,-51,52,-53,-54)
	-- 30 inches (113T1200-15,-16,-17,-18,-45,-46,-55,-56)
Width	-- 33 inches (113T1200-19,-20,-23,-24,-29,-30,-33,-34,-43,-44,-51,-52,-53,-54)
	-- 24 inches (113T1200-15,-16,-17,-18,-45,-46,-55,-56)
Height	-- 14 inches (113T1200-19,-20,-23,-24,-29,-30,-33,-34,-43,-44,-51,-52,-53,-54)
	-- 9 inches (113T1200-15,-16,-17,-18,-45,-46,-55,-56)
Weight	-- 140 pounds (113T1200-19,-20,-23,-24,-29,-30,-33,-34,-43,-44,-51,-52,-53,-54)
	-- 35 pounds (113T1200-15,-16,-17,-18,-45,-46,-55,-56)

57-53-31

DESCRIPTION & OPERATION

01.1

Page 1

Apr 01/89

DISASSEMBLY

1. Disassemble this component only as necessary to complete fault isolation, determine the serviceability of parts, perform required repairs and restore the unit to serviceable condition.

57-53-31

DISASSEMBLY

01.1

Page 301

Oct 10/83

CHECK

1. Check all parts for obvious defects in accordance with standard industry practices.
2. Magnetic particle check per 20-20-01 -- Washer (30, 628, IPL Fig. 1; 12, IPL Fig. 3; 15, IPL Fig. 4; 335, IPL Fig. 5; 20, 30, IPL Fig. 6; 285, IPL Fig. 7), nut (40, 626, IPL Fig. 1; 18, IPL Fig. 3; 10, IPL Fig. 4; 25, IPL Fig. 6), pin (45, 50, IPL Fig. 1; 18, 21, IPL Fig. 3; 35, 40, IPL Fig. 6), reaction ring (662, 664, IPL Fig. 1; 160, 165, IPL Fig. 4; 310, 315, IPL Fig. 5; 240, 245, IPL Fig. 6; 355, 360, IPL Fig. 7), shaft (674, 676, IPL Fig. 1; 20, 25, IPL Fig. 4; 230, 235, IPL Fig. 6), and arm fitting (692, 694, 696, 698, IPL Fig. 1; 220, 225, 230, 235, IPL Fig. 4; 305, 310, 315, 320, IPL Fig. 6).
3. Penetrant check per 20-20-02 -- Link half (60B, 65, IPL Fig. 1; 30, 33, IPL Fig. 3; 95, 100, IPL Fig. 6), support fitting (113, 115, 120, 125, 130, IPL Fig. 1; 114, 117, 120, 123, IPL Fig. 3; 930, 935, 940, 945, IPL Fig. 6), fitting (245, IPL Fig. 1; 162, IPL Fig. 3; 470, IPL Fig. 6), stop fitting (552, IPL Fig. 1; 498A, IPL Fig. 3; 820, IPL Fig. 6), bulkhead (606, 608, IPL Fig. 1; 597, 600, IPL Fig. 3), bearing retainer (650, 651, 656, 657, 658A, 660A, IPL Fig. 1; 60, 65, 80, 85, IPL Fig. 4; 365, 370, 390, 395, 415, 420, IPL Fig. 5; 185, 190, 210, 215, IPL Fig. 6; 290, 310, 315, IPL Fig. 7) fitting (135, 140, 145, 150, IPL Fig. 2; 565, 575, IPL Fig. 7), and Link (12, 15, IPL Fig. 2; 45, 50, IPL Fig. 7).
4. Check for proper fits and clearances per Fig. 801, 802, 803.

57-53-31

CHECK

01.1

Page 501

Nov 01/03

REPAIR – GENERAL1. Content

- A. Repair, refinish and replacement procedures are included in separate repair sections as follows:

<u>P/N</u>	<u>NAME</u>	<u>REPAIR</u>
113T1734 113T1787	FITTING ASSEMBLY	1-1
113T1240	NO. 3 RIB ASSEMBLY	2-1
113T1227	ARM ASSEMBLY	3-1
113T1244	LINK ASSEMBLY	4-1
113T1497	LINK ASSEMBLY	4-2
113T1231, 113T1253	FITTING ASSEMBLY	5-1
113T1234	LINK ASSEMBLY	6-1
- - -	MISCELLANEOUS PARTS	7-1
113T1252	CRANK ASSEMBLY	8-1
113T1228	SHAFT	9-1
113T1210	SHAFT	10-1

57-53-31

REPAIR-GENERAL

01.1

Page 601

Mar 01/00

2. Standard Practices

- A. Refer to the following standard practices, as applicable, for details of procedures in individual repairs.

SOPM 20-10-03	Shot Peening
SOPM 20-10-04	Grinding of Chrome Plated Parts
SOPM 20-20-01	Magnetic Particle Inspection
SOPM 20-20-02	Penetrant Methods of Inspection
SOPM 20-30-02	Stripping of Protective Finishes
SOPM 20-30-03	General Cleaning Procedures
SOPM 20-41-01	Decoding Table for Boeing Finish Codes
SOPM 20-41-02	Application of Chemical and Solvent Resistant Finishes
SOPM 20-42-02	Low Hydrogran Embrittlement Cadmium-Titanium Alloy Plating
SOPM 20-42-03	Hard Chrome Plating
SOPM 20-42-05	Bright Cadmium Plating
SOPM 20-43-01	Chromic Acid Anodizing
SOPM 20-50-02	Installation of Safetying Devices
SOPM 20-50-03	Bearing Installation and Retention
SOPM 20-50-07	Lubrication
SOPM 20-50-12	Application of Adhesives

3. Materials

NOTE: Equivalent substitutes may be used.

- A. Coating, Teflon Filled -- BMS 10-86, Type 1, Gray (SOPM 20-60-02)
- B. Compound, Corrosion Preventive -- MIL-C-11796, Class 1 (SOPM 20-60-03)
- C. Enamel -- BMS 10-60, BAC707 Gray Gloss (SOPM 20-60-02)
- D. Grease -- BMS 3-33 (SOPM 20-60-03)

57-53-31

REPAIR-GENERAL

01.1

Page 602

Nov 01/03



BOEING
COMPONENT
MAINTENANCE MANUAL

- | E. Lubricant, Dry Film -- BMS 3-8, Type 8 (SOPM 20-60-03)
- | F. Primer -- BMS 10-11, Type 1 (SOPM 20-60-02)
- | G. Sealant -- BMS 5-95 (SOPM 20-60-04)

57-53-31

REPAIR-GENERAL

01.1

Page 603

Nov 01/03

4. Dimensioning Symbols

A. Standard True Position Dimensioning Symbols used in applicable repair procedures are shown in Fig. 601.

—	STRAIGHTNESS	\oplus	THEORETICAL EXACT POSITION OF A FEATURE (TRUE POSITION)
\square	FLATNESS	\varnothing	DIAMETER
\perp	PERPENDICULARITY (OR SQUARENESS)	BASIC (BSC) OR	A THEORETICALLY EXACT DIMENSION USED TO DESCRIBE SIZE, SHAPE OR LOCATION OF A FEATURE FROM WHICH PERMISSIBLE VARIATIONS ARE ESTABLISHED BY TOLERANCES ON OTHER DIMENSIONS OR NOTES.
//	PARALLELISM	DIM	
\bigcirc	ROUNDNESS	-A-	DATUM
\bigcirc	CYLINDRICITY	\textcircled{M}	MAXIMUM MATERIAL CONDITION (MMC)
\frown	PROFILE OF A LINE	\textcircled{S}	REGARDLESS OF FEATURE SIZE (RFS)
\triangle	PROFILE OF A SURFACE	\textcircled{P}	PROJECTED TOLERANCE ZONE
\odot	CONCENTRICITY		
\equiv	SYMMETRY		
\sphericalangle	ANGULARITY		
\nearrow	RUNOUT		

EXAMPLES

$\text{—} \quad 0.002$	STRAIGHT WITHIN 0.002	$\textcircled{\odot} \text{ C } \varnothing \quad 0.0005$	CONCENTRIC TO C WITHIN 0.0005 DIAMETER (FULL INDICATOR MOVEMENT)
$\perp \text{ B } \quad 0.002$	PERPENDICULAR TO B WITHIN 0.002	$\equiv \text{ A } \quad 0.010$	SYMMETRICAL WITH A WITHIN 0.010
$\parallel \text{ A } \quad 0.002$	PARALLEL TO A WITHIN 0.002	$\sphericalangle \text{ A } \quad 0.005$	ANGULAR TOLERANCE 0.005 WITH A
$\bigcirc \quad 0.002$	ROUND WITHIN 0.002	$\oplus \text{ B } \varnothing \quad 0.002 \textcircled{S}$	LOCATED AT TRUE POSITION WITHIN 0.002 DIA IN RELATION TO DATUM B, REGARDLESS OF FEATURE SIZE
$\bigcirc \quad 0.010$	CYLINDRICAL SURFACE MUST LIE BETWEEN TWO CONCENTRIC CYLINDERS, ONE OF WHICH HAS A RADIUS 0.010 INCH GREATER THAN THE OTHER	$\perp \text{ A } \varnothing \quad 0.010 \textcircled{M}$ $0.510 \textcircled{P}$	AXIS IS TOTALLY WITHIN A CYLINDER OF 0.010-INCH DIAMETER, PERPENDICULAR TO, AND EXTENDING 0.510-INCH ABOVE, DATUM A, MAXIMUM MATERIAL CONDITION
$\frown \text{ A } \quad 0.006$	EACH LINE ELEMENT OF THE SURFACE AT ANY CROSS SECTION MUST LIE BETWEEN TWO PROFILE BOUNDARIES 0.006 INCH APART IN RELATION TO DATUM PLANE A	2.000	EXACT DIMENSION IS 2.000
$\triangle \text{ A } \quad 0.020$	SURFACES MUST LIE WITHIN PARALLEL BOUNDARIES 0.02 INCH APART AND EQUALLY DISPOSED ABOUT TRUE PROFILE	OR 2.000 BSC	

True Position Dimensioning Symbols
Figure 601

57-53-31

REPAIR-GENERAL

01.101

Page 604

Apr 10/86

FITTING ASSEMBLY – REPAIR 1-1

113T1734-1

113T1787-1

NOTE: Refer to REPAIR – GENERAL for a list of applicable standard practices.

1. Bearing Replacement

- A. Remove bearing (240, IPL Fig. 1; 159, IPL Fig. 3; 465, IPL Fig. 6).
- B. Install bearing (240, IPL Fig. 1; 159, IPL Fig. 3; 465, IPL Fig. 6) and roller swage per 20-50-03 using BMS 5-95 sealant.

2. Refinish

- A. Fitting (245, IPL Fig. 1; 162, IPL Fig. 3; 470, IPL Fig. 6) -- Chromic acid anodize. Apply one coat BMS 10-11, type 1 primer (F-18.13) all over except omit primer from holes. Material: Aluminum alloy.

57-53-31

REPAIR 1-1

01.1

Page 601

Nov 01/03

OUTBOARD SUPPORT RIB ASSEMBLY – REPAIR 2-1

113T1240-33, -34, -37, -38, -49, -50, -52, -54,
 -56, -57, -65, -66, -70, -71, -72, -75 thru -78,
 -83 thru -98, -103, -104, -109, -110,
 -113 thru -116, -123 thru -126, -201, -202,
 -249, -250, -255, -256

NOTE: Refer to REPAIR – GENERAL for a list of applicable standard practices.

 1. Bushing Replacement

- A. Remove bushings (215, 216A, 526, 528, 530, 532, 534, 536, 538, 540, 544, 546, IPL Fig. 1; 126, 129, 459, 462, 465, 468, 471, 474, 477, 480, 486, 489, IPL Fig. 3; 350, 355, 365, 370, 375, 380, 385, 390, 395, 400, 405, IPL Fig. 6).
- B. Remove spacers (542, 548, IPL Fig. 1; 483, 492, IPL Fig. 3; 360, IPL Fig. 6).
- C. Check bushing (532, 536, 538, 540, 544, 546, IPL Fig. 1; 468, 474, 477, 480, 486, 489, IPL Fig. 3; 350, 355, 365, 375, 385, 390, 400, 405, IPL Fig. 6) holes for damage or corrosion and repair, if necessary, per 3.
- D. Install spacers (542, 548, IPL Fig. 1; 483, 492, IPL Fig. 3; 360, IPL Fig. 6) using BMS 5-95 faying surface seal on all faying surfaces as shown in Fig. 601, 602, 603, Detail A.

CAUTION: REMOVE EXCESS SEALANT FROM LUBE PASSAGES WHILE INSTALLING BUSHINGS. THIS WILL ENSURE THAT GREASE FLOWS FREELY.

- E. Install bushings (215, 216A, 526, 528, 530, 532, 534, 538, 540, 544, 546, IPL Fig. 1; 126, 129, 459, 462, 465, 468, 471, 474, 477, 480, 486, 489, IPL Fig. 3; 350, 355, 365, 370, 375, 380, 385, 390, 395, 400, 405, IPL Fig. 6) per 20-50-03 using BMS 5-95 wet sealant.
- F. Machine bores of bushings (526, 528, IPL Fig. 1; 459, 462, IPL Fig. 3; 400, 405, IPL Fig. 6; 215, 216A, IPL Fig. 1; 126, 129, IPL Fig. 3; 390, 395, IPL Fig. 6; 530, 532, 534, 536, 538, 540, 544, 546, IPL Fig. 1; 465, 468, 471, 474, 477, 480, 486, 489, IPL Fig. 3; 350, 355, 365, 370, 375, 380, 385, IPL Fig. 6) per Fig. 601, 602, 603.
- G. Fillet seal around flanges of bushings using BMS 5-95 sealant. See Fig. 601 or Fig. 602, Detail A, for fillet sealing flanges of bushings (530, 532, 538, 540, 544, 546, IPL Fig. 1; 465, 468, 477, 480, 486, 489, IPL Fig. 3; 350, 355, 365, 370, 375, IPL Fig. 6).

57-53-31

REPAIR 2-1

01.1

Page 601

Nov 01/03

2. Bearing Replacement (550 IPL Fig. 1; 495, IPL Fig. 3; 410, IPL Fig. 6)

- A. Remove bearing.
- B. Check hole for damage or corrosion and repair, if necessary, per 3.
- C. Install bearing per SOPM 20-50-03.
- D. Machine bore of bearing per Fig. 601, 602, or 603.

3. Repair

- A. Repair hole for bushing (532, 536, 538, 540, 544, 546 IPL Fig. 1; 468, 474, 477, 480, 486, 489, IPL Fig. 3; 350, 355, 365, 375, 385, 390, 400, 405; IPL Fig. 6) and bearing (550, IPL Fig. 1; 495, IPL Fig. 3; 410, IPL Fig. 6).
 - (1) Machine the bushing holes as required to remove defects and/or corrosion within the repair limits as shown in Fig. 601, 602, or 603.
 - (2) Penetrant check per SOPM 20-20-02.
 - (3) Shot peen bore(s) per SOPM 20-10-03 and Fig. 601, 602, or 603.
 - (4) Apply colored chemical coating (F-17.10) to holes after shot peening.
 - (5) Fabricate oversize bushing(s) per Fig. 604 thru 609.

4. Refinish

- A. Ribs (485D, 490D, 495B, 500B, 505, 510, 515, 520, IPL Fig. 1; 432, 435, 438, 441, 444, 447, 450, 453, IPL Fig. 3), support fittings (115, 120, 125, 130, IPL Fig. 1; 114, 117, 120, 123, IPL Fig. 3) -- Chromic acid anodize and apply one coat BMS 10-11, type 1 primer (F-18.13) all over, except omit primer from holes for bushings and bearings. Material: Aluminum alloy.

57-53-31

REPAIR 2-1

01.1

Page 602

Nov 01/03

**BOEING**
COMPONENT
MAINTENANCE MANUAL

- B. Rib assembly (360, 370, IPL Fig. 1; 357, 363, IPL Fig. 3; 330, 335, IPL Fig. 6) -- Apply BMS 10-11, type 1 primer (F-14.995) and BMS 10-60 enamel (F-14.9813) all over except on bushing bores and flanges, bearings, lube fittings, and except as noted. Apply Type 27 abrasion-resistant finish (F-14.9625) over primer in the area shown in Fig. 601, 602, 603. For touchup of the detail ribs, chemical treat (F-17.10) areas of bare metal and apply BMS 10-11, Type 1 primer (F-20.02).

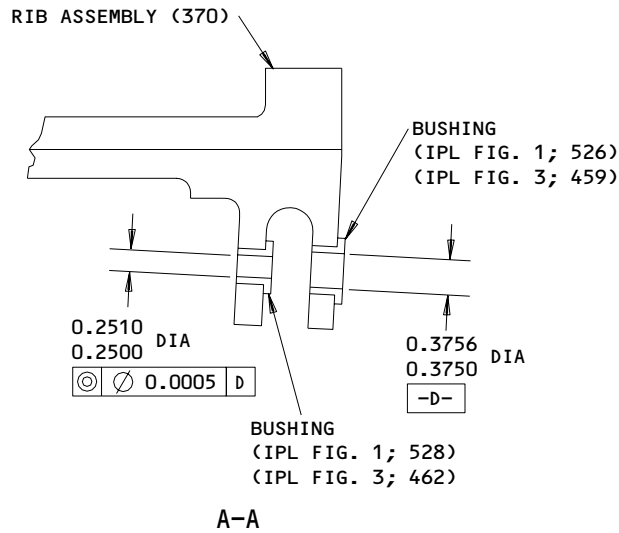
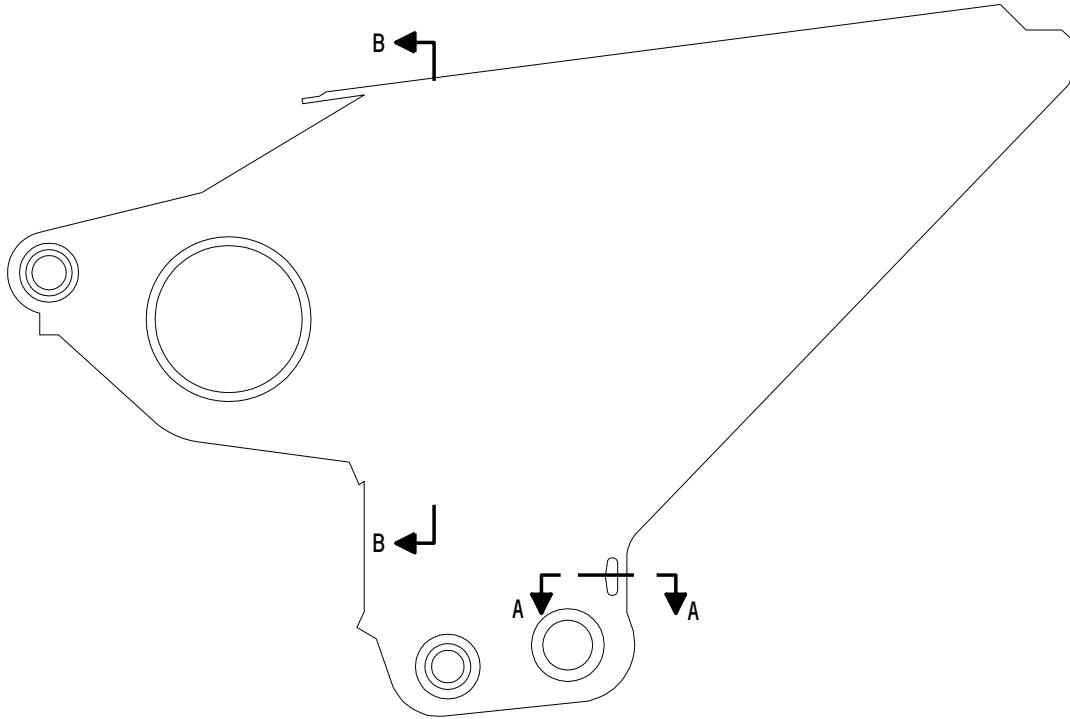
57-53-31

REPAIR 2-1

01.1

Page 603

Nov 01/03



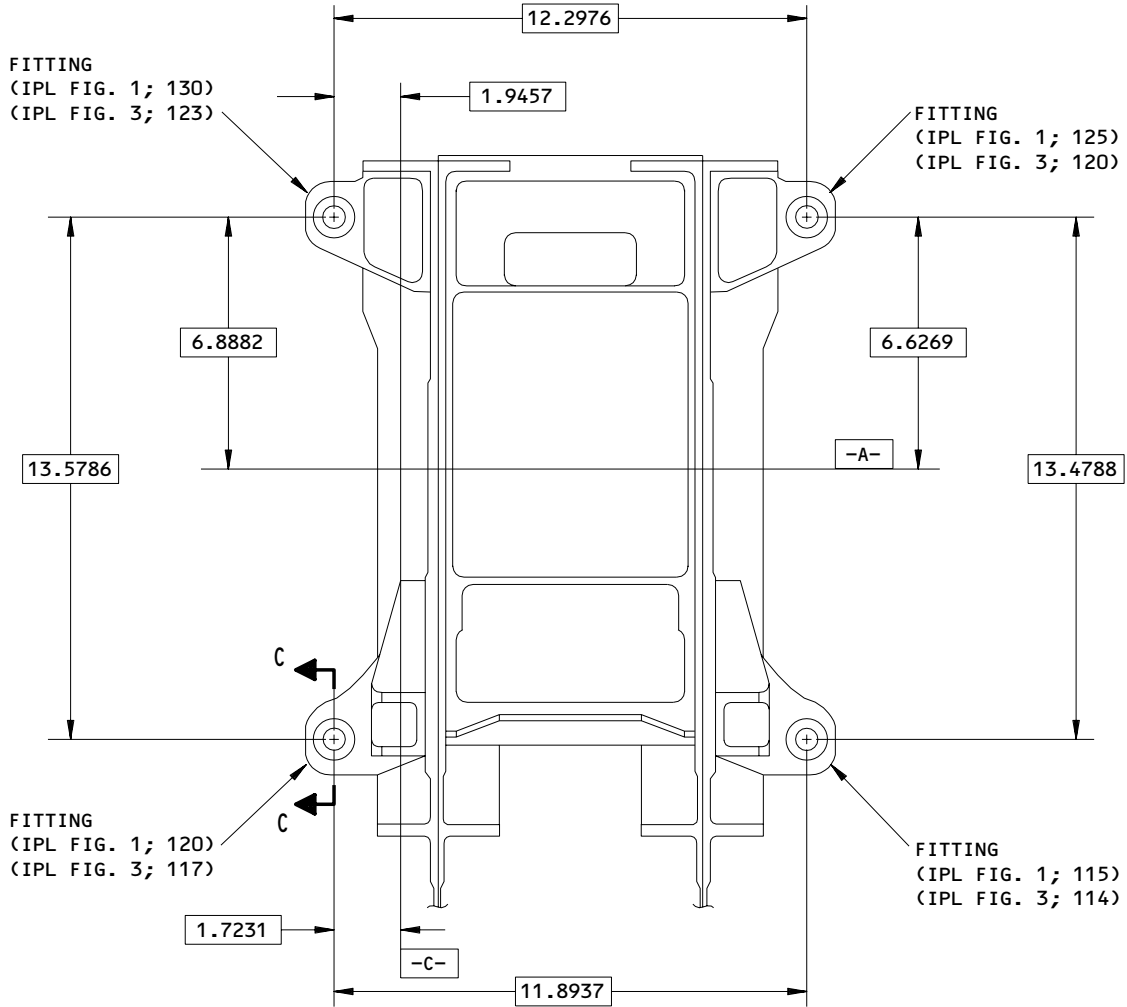
113T1240-33,-34,-37,-38,-49,-50,-52,-54,-56,-57,-65,-66,-70,-71,
 -72,-75 Thru -78,-83 Thru -98,-103,-104,-109,-110
 Outboard Support Rib Assembly Repair
 Figure 601 (Sheet 1)

57-53-31

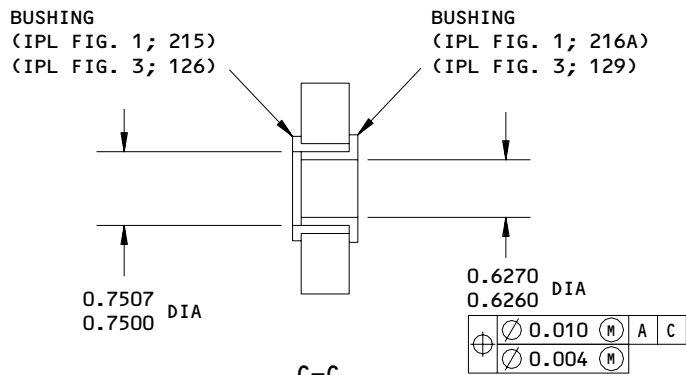
REPAIR 2-1
 Page 604
 Mar 01/00

01.1

BOEING
 COMPONENT
 MAINTENANCE MANUAL



B-B



C-C

(TYPICAL 4 LOCATIONS)

113T1240-33,-34,-37,-38,-49,-50,-52,-54,-56,-57,-65,-66,-70,-71,
 -72,-75 Thru -78,-83 Thru -98,103,-104,-109,-110
 Outboard Support Rib Assembly Repair
 Figure 601 (Sheet 2)

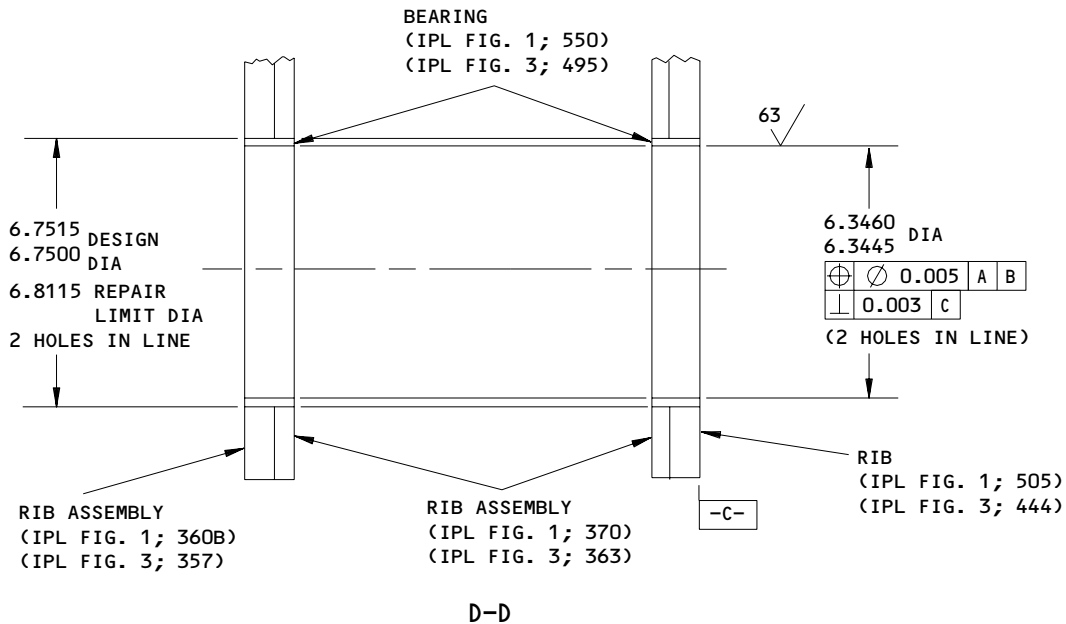
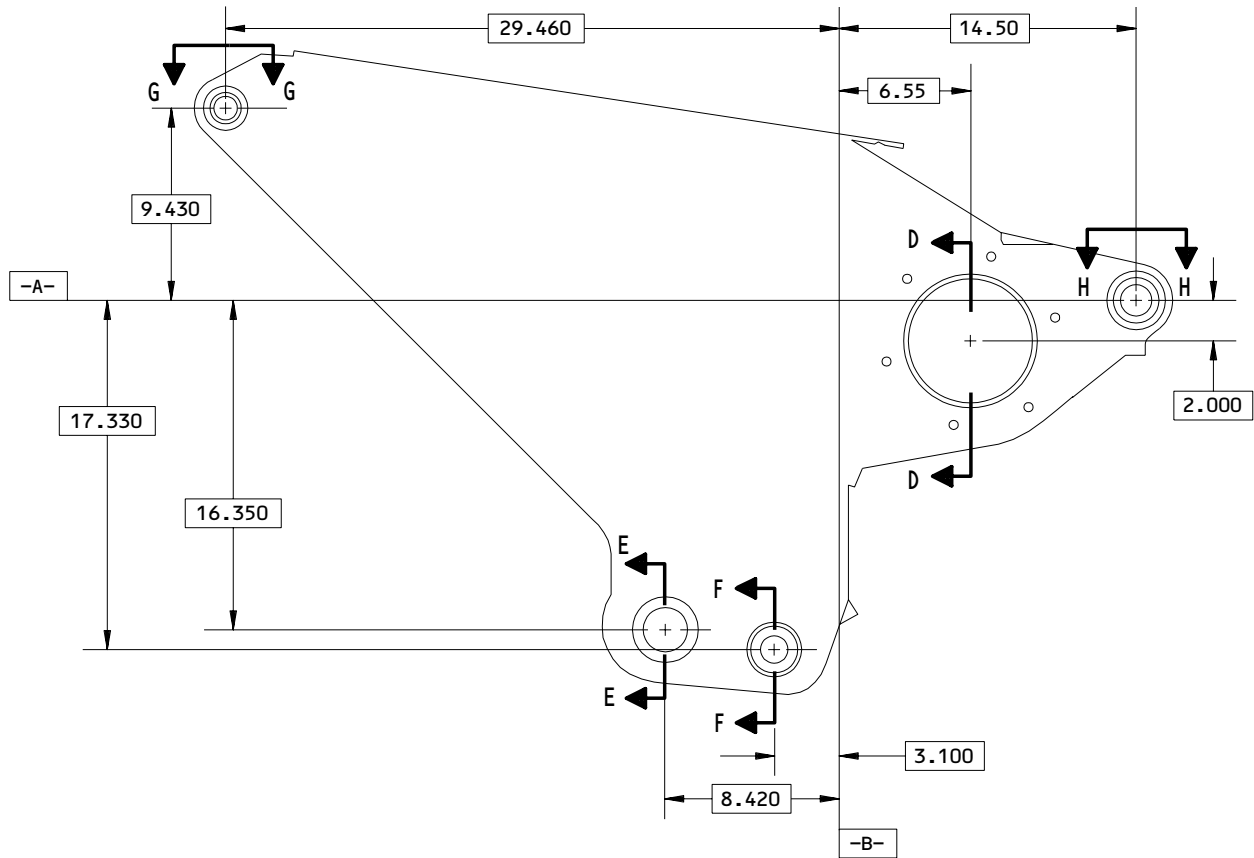
57-53-31

REPAIR 2-1

01.1

Page 605

Nov 01/03



113T1240-33,-34,-37,-38,-49,-50,-52,-54,-56,-57,-65,-66,-70,-71,
 -72,-75 Thru -78,-83 Thru -98,-103,-104,-109,-110
 Outboard Support Rib Assembly Repair
 Figure 601 (Sheet 3)

57-53-31

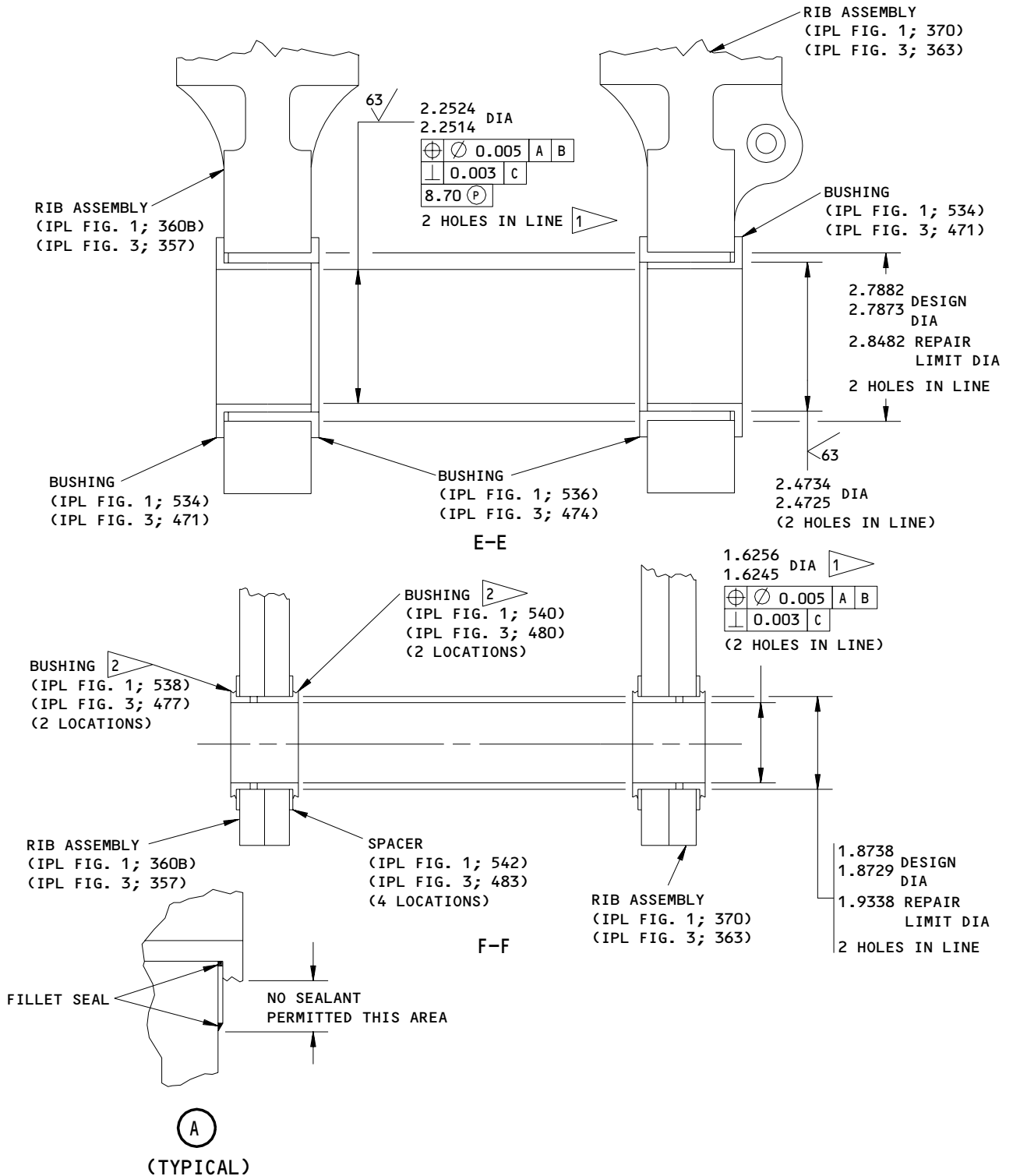
REPAIR 2-1

01.1

Page 606

Nov 01/03

BOEING
COMPONENT
MAINTENANCE MANUAL



113T1240-33,-34,-37,-38,-49,-50,-52,-54,-56,-57,-65,-66,-70,-71,
 -72,-75 Thru -78,-83 Thru -98,-103,-104,-109,-110
 Outboard Support Rib Assembly Repair
 Figure 601 (Sheet 4)

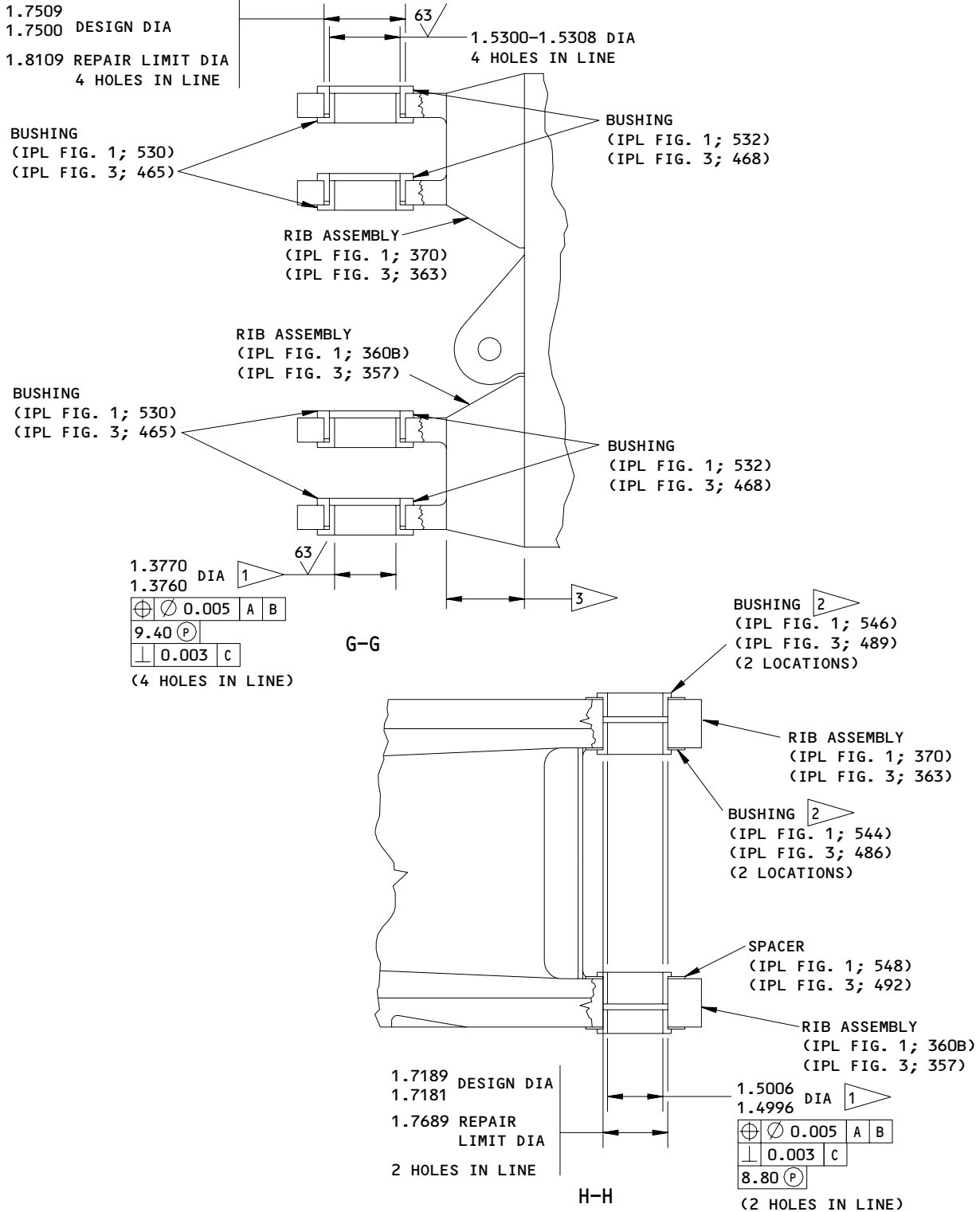
57-53-31

REPAIR 2-1

Page 607

Nov 01/03

01.1



113T1240-33,-34,-37,-38,-49,-50,-52,-54,-56,-57,-65,-66,-70,-71,
-72,-75 Thru -78,-83 Thru -98,-103,-104,109,-110
Outboard Support Rib Assembly Repair
Figure 601 (Sheet 5)

57-53-31

REPAIR 2-1

01.1

Page 608

Nov 01/03

REFINISH

APPLY COLORED CHEMICAL COATING (F-17.10)
 TO HOLES AFTER SHOT PEENING. SEE 3. FOR
 REFINISHING OF DETAIL PARTS

- 1 SEE SHEET 3, D-D FOR DATUM PLANE -C-
- 2 SEE SHEET 4, A FOR FILLET SEALING
 BUSHING FLANGES
- 3 APPLY ABRASION RESISTANT FINISH
 (F-14.9625) OVER PRIMER IN THE AREA SHOWN

REPAIR

63/ ALL MACHINED SURFACES UNLESS SHOWN
 DIFFERENTLY

SHOT PEEN (MANUAL PEEN OPT):
 SHOT SIZE 0.023-0.055
 INTENSITY 0.010 A
 COVERAGE 2.0

MATERIAL: ALUMINUM ALLOY
 ALL DIMENSIONS ARE IN INCHES

113T1240-33,-34,-37,-38,-49,-50,-52,-54,-56,-57,-65,-66,-70,-71,
 -72,-75 Thru -78,-83 Thru -98,-103,-104,109,-110
 Outboard Support Rib Assembly Repair
 Figure 601 (Sheet 6)

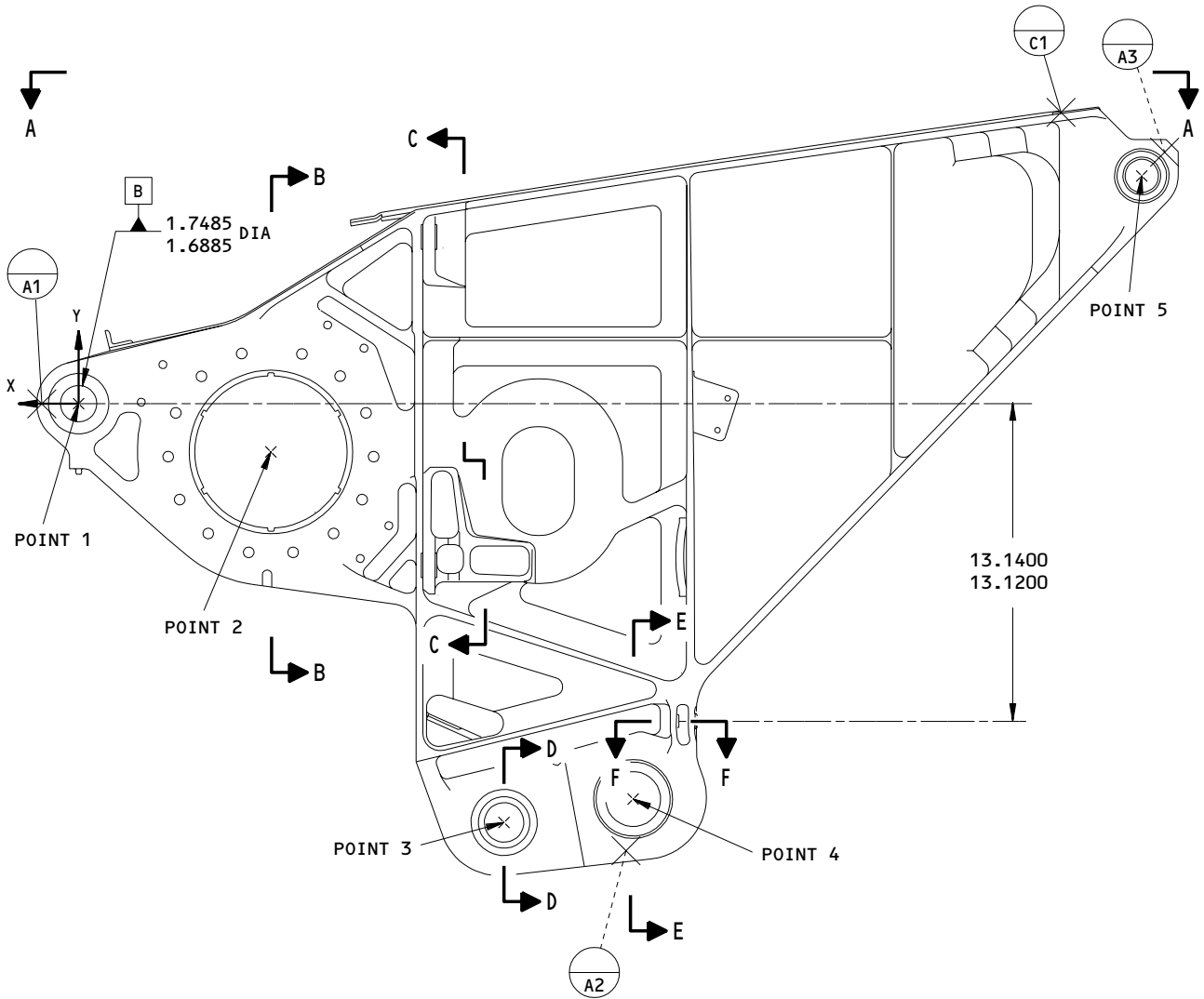
57-53-31

REPAIR 2-1

01.1

Page 609

Nov 01/03



113T1240-201,-202,-249,-250,-255,-256
 Outboard Support Rib Assembly Repair
 Figure 602 (Sheet 1)

57-53-31

REPAIR 2-1
 Page 610
 Nov 01/03

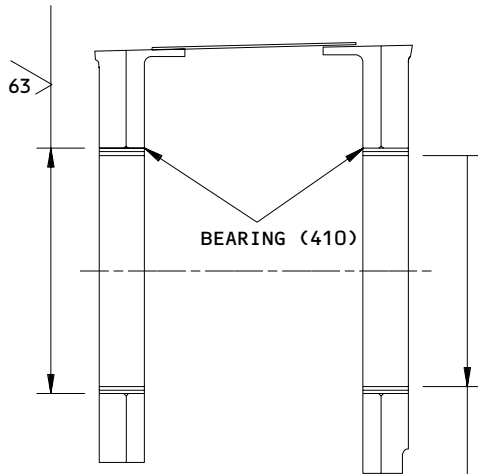
01.1

6.7515 DESIGN DIA
 6.7500

6.8115 DIA $\frac{1}{16}$

\oplus	\varnothing 0.0200	(H)	A	B	(M)	C
	\varnothing 0.0030	(M)	A			

(2 COAXIAL HOLES)



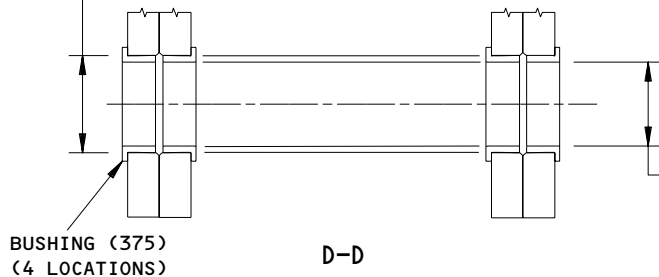
6.3460
 6.3445 DIA $\frac{63}{16}$

\oplus	\varnothing 0.0200	(M)	A	B	(M)	C
	\varnothing 0.0030	(M)	A			

(2 COAXIAL HOLES)

B-B

$\frac{63}{16}$
 1.8738 DESIGN DIA
 1.8729
 1.9338 DIA $\frac{1}{16}$
 (2 COAXIAL HOLES)



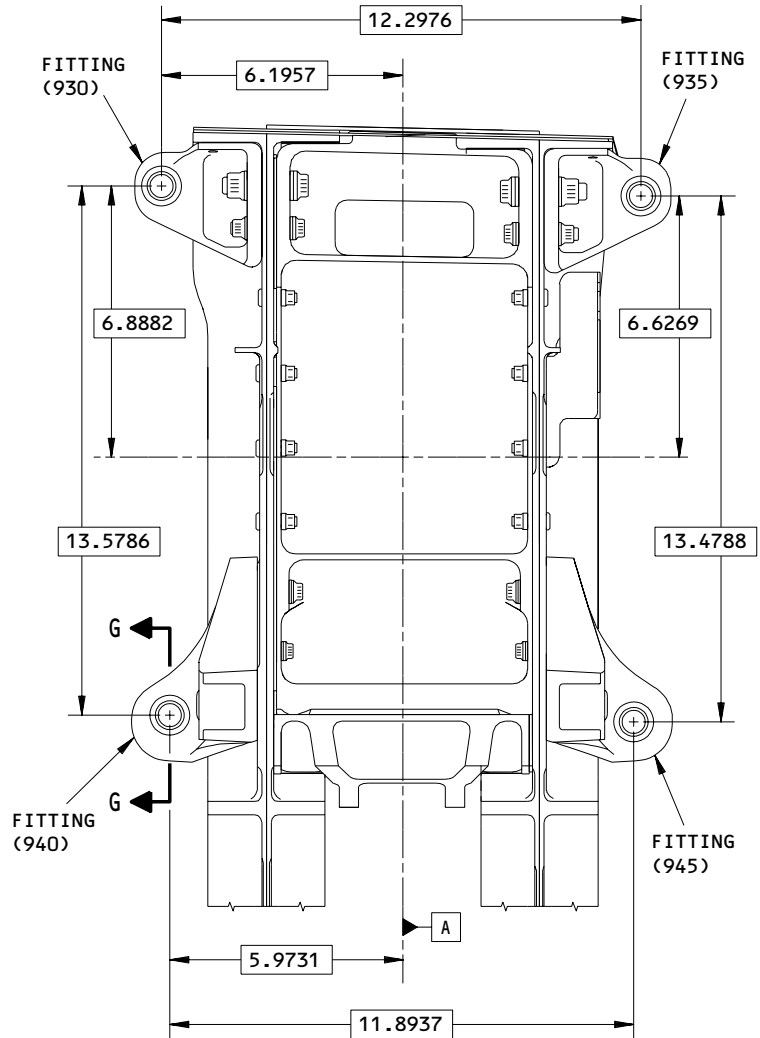
BUSHING (375)
 (4 LOCATIONS)

D-D

1.6256 DESIGN DIA
 1.6245

\oplus	\varnothing 0.0200	(M)	A	B	(M)	C
	\varnothing 0.0030	(M)	A			

(2 COAXIAL HOLES)



C-C

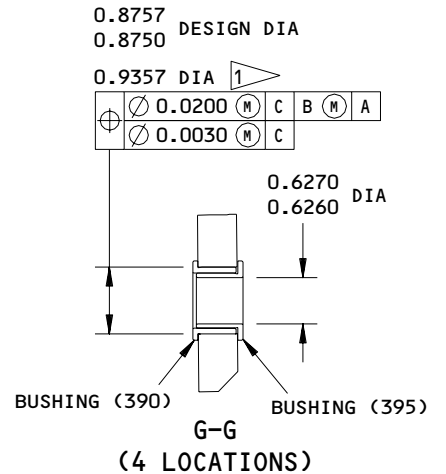
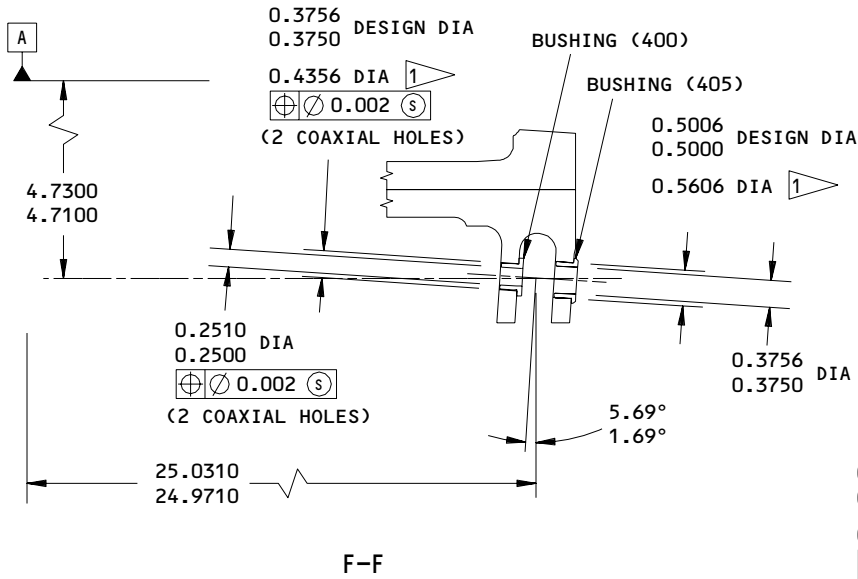
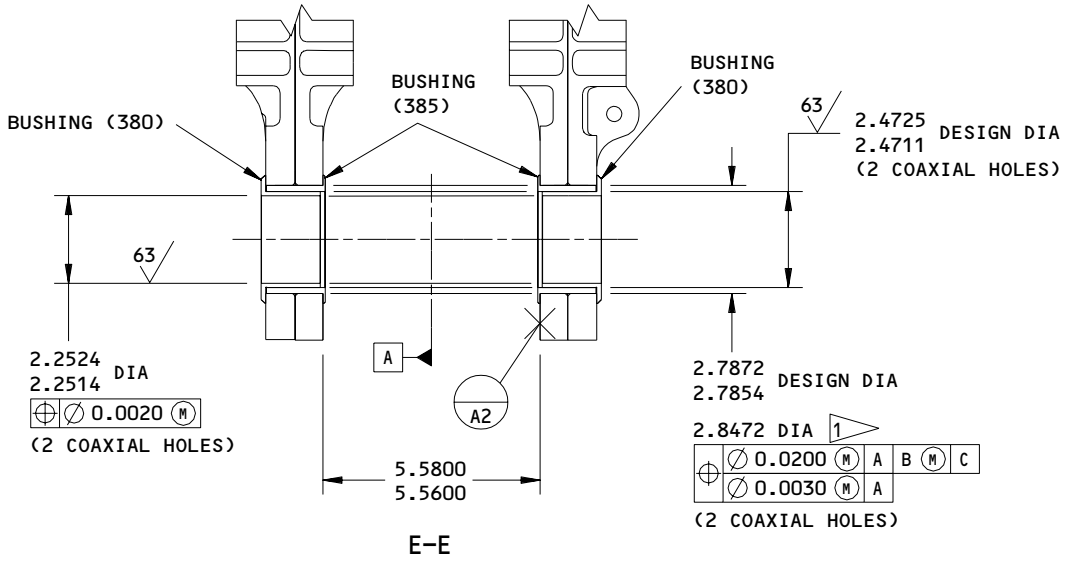
113T1240-201,-202,-249,-250,-255,-256
 Outboard Support Rib Assembly Repair
 Figure 602 (Sheet 3)

57-53-31

REPAIR 2-1
 Page 612
 Nov 01/03

01.1

BOEING
 COMPONENT
 MAINTENANCE MANUAL



113T1240-201,-202,-249,-250,-255,-256
 Outboard Support Rib Assembly Repair
 Figure 602 (Sheet 4)

57-53-31

REPAIR 2-1

01.1

Page 613

Nov 01/03

POINT NUMBER	X DISTANCE	Y DISTANCE	Z DISTANCE
A1	1.4000	0.0000	-3.0000
A2	-22.6300	-18.5000	-2.7850
A3	-44.9000	10.4000	-2.7950
C1	-40.6200	12.0491	-4.3010
C2	-40.6200	11.7975	4.2997
PT 1	0.0000	0.0000	----
PT 2	-7.9500	-2.0000	----
PT 3	-17.6000	-17.3300	----
PT 4	-22.9200	-16.3500	----
PT 5	-43.9600	9.4300	----

ALL DIMENSIONS ARE BASIC

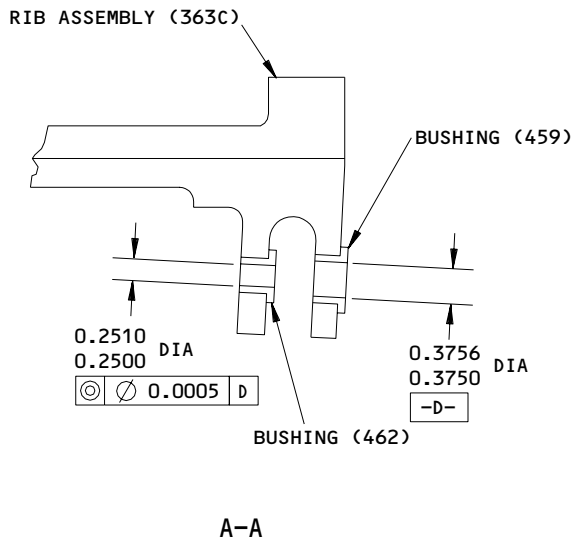
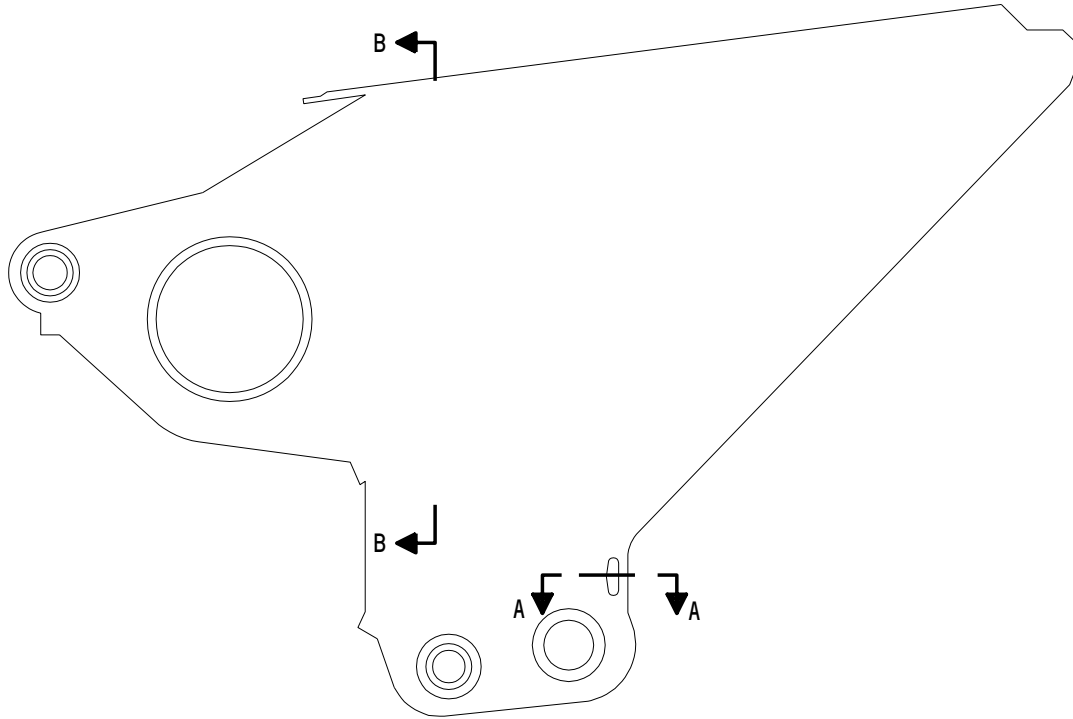
- 1 REPAIR LIMIT FOR PART NUMBER
113T1240-201,-202
- 2 FAY SURFACE SEAL WITH BMS 5-95 SEALANT
- 3 FILLET SEAL WITH BMS 5-95 SEALANT
- 4 DO NOT APPLY SEALANT IN THIS AREA
- 5 APPLY ABRASION RESISTANT FINISH
(F-14.9625) OVER PRIMER IN THE AREA SHOWN

ITEM NUMBERS REFER TO IPL FIG. 6
 ALL DIMENSIONS ARE IN INCHES

113T1240-201,-202,-249,-250,-255,-256
 Outboard Support Rib Assembly Repair
 Figure 602 (Sheet 5)

57-53-31
 REPAIR 2-1
 Page 614
 Nov 01/03

01.1

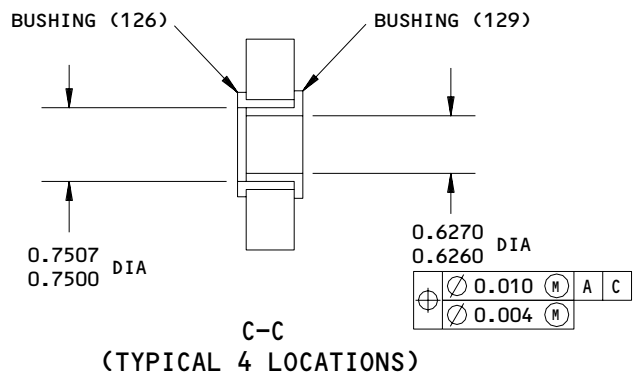
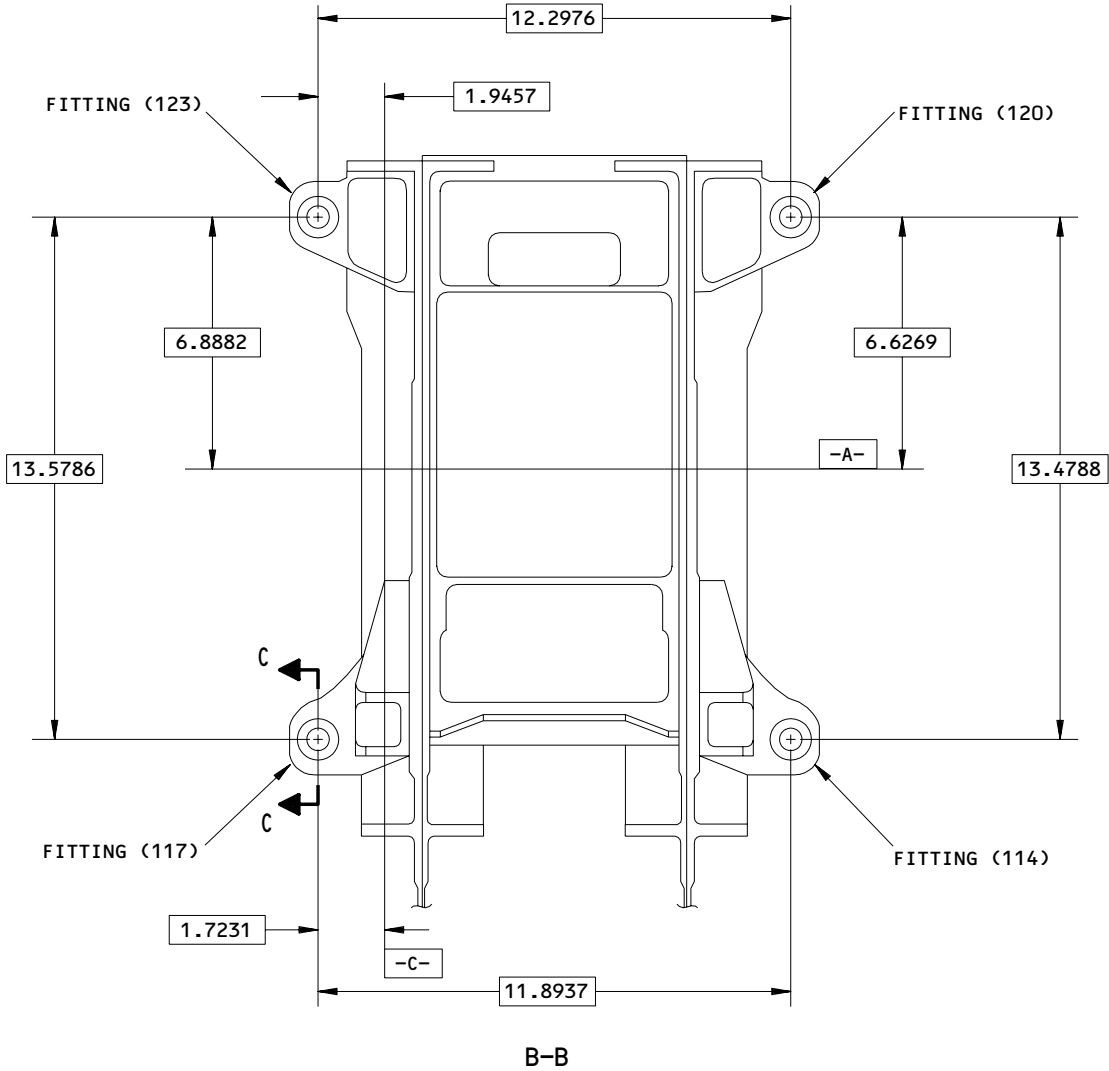


113T1240-113 thru -116,-123 thru -126
 Outboard Support Rib Assembly Repair
 Figure 603 (Sheet 1)

57-53-31

REPAIR 2-1
 Page 615
 Nov 01/03

01.1

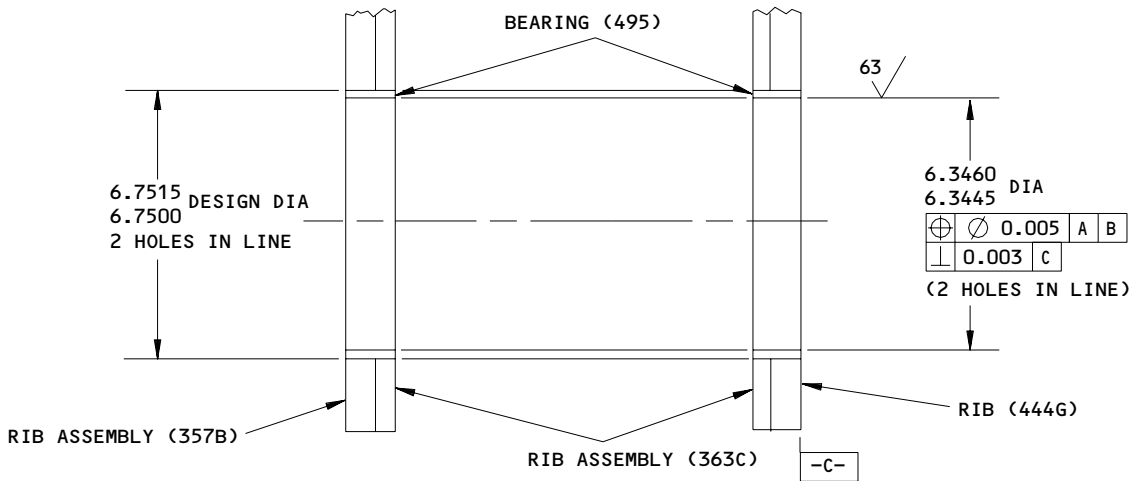
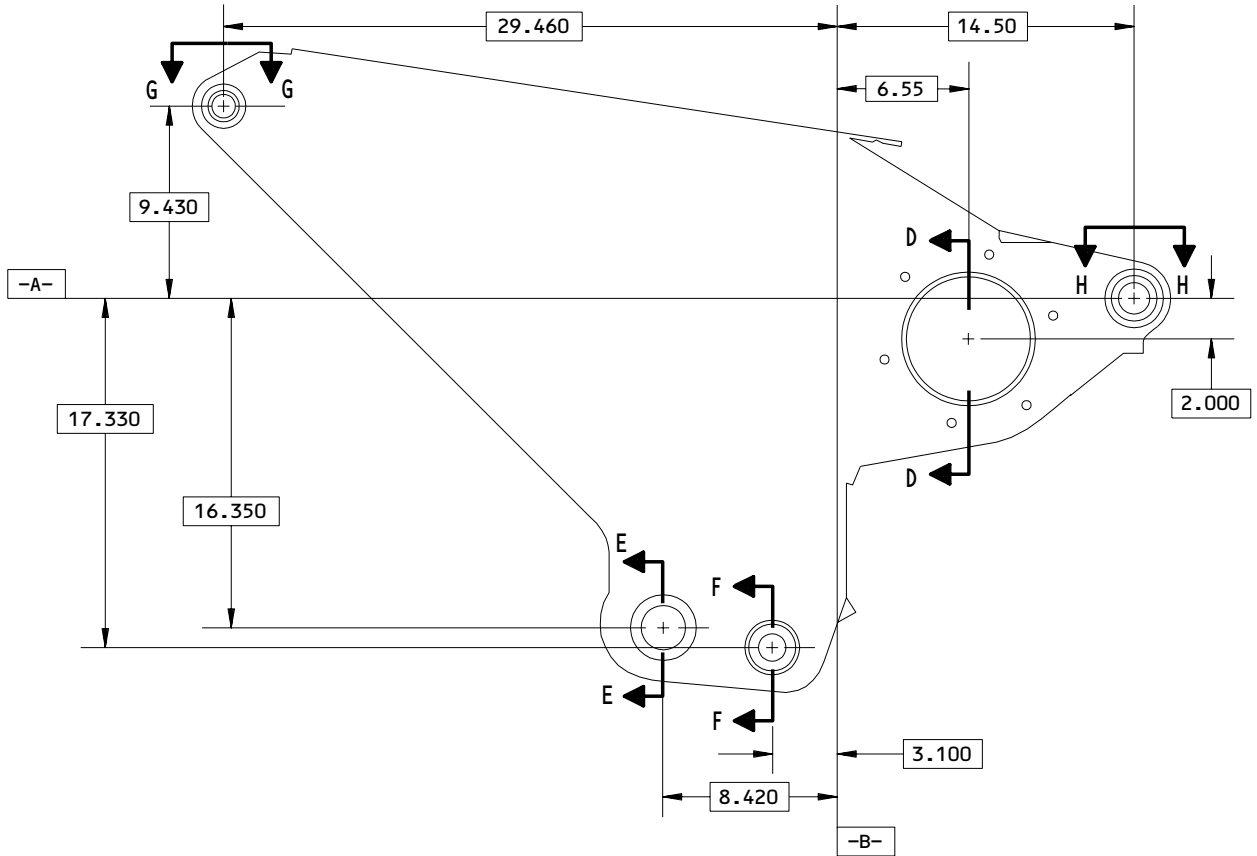


113T1240-113 thru -116,-123 thru -126
 Outboard Support Rib Assembly Repair
 Figure 603 (Sheet 2)

57-53-31

REPAIR 2-1
 Page 616
 Nov 01/03

01.1



D-D

113T1240-113 thru -116, -123 thru -126
 Outboard Support Rib Assembly Repair
 Figure 603 (Sheet 3)

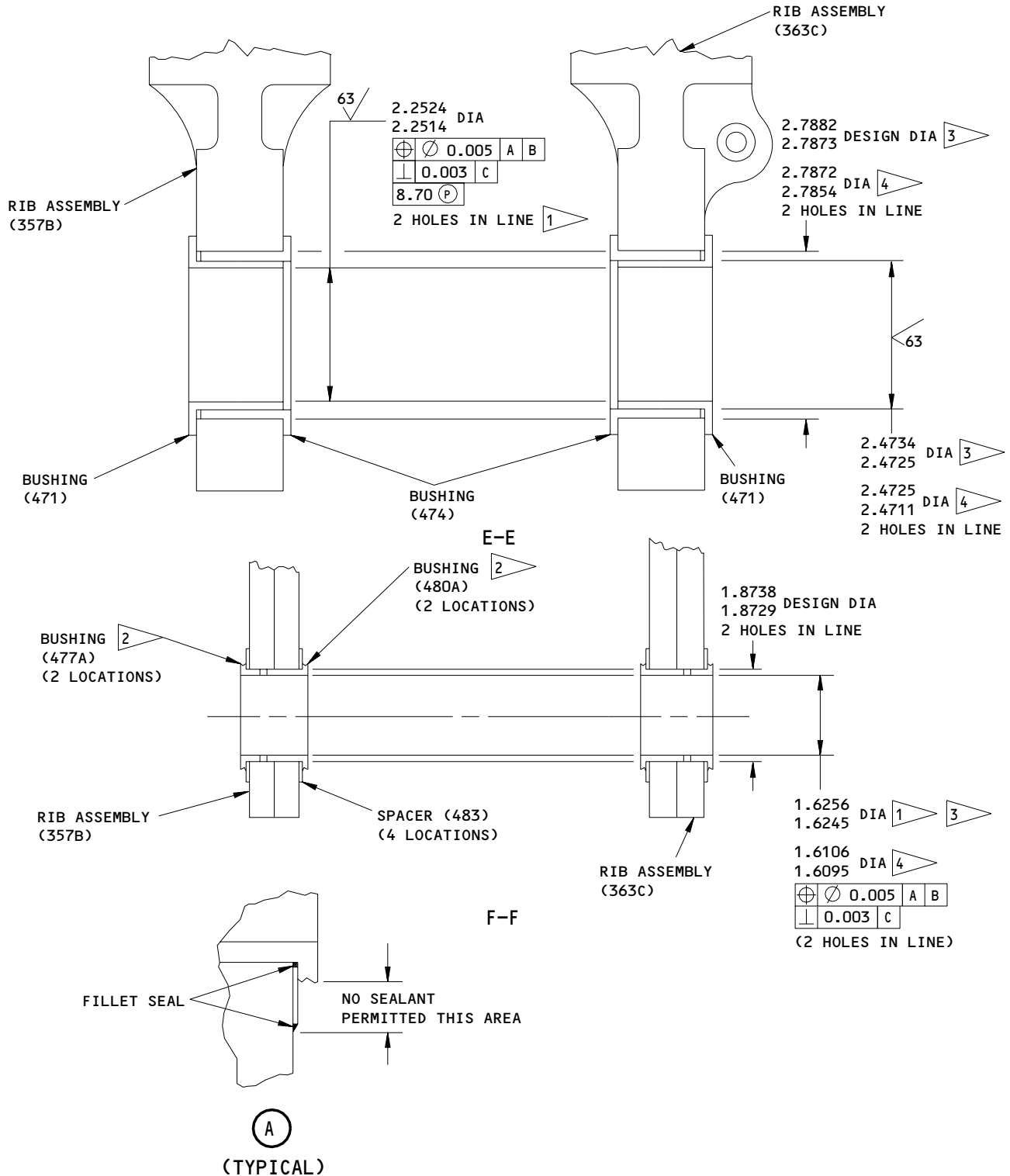
57-53-31

REPAIR 2-1

Page 617

Nov 01/03

01.1



113T1240-113 thru -116,-123 thru -126
 Outboard Support Rib Assembly Repair
 Figure 603 (Sheet 4)

57-53-31

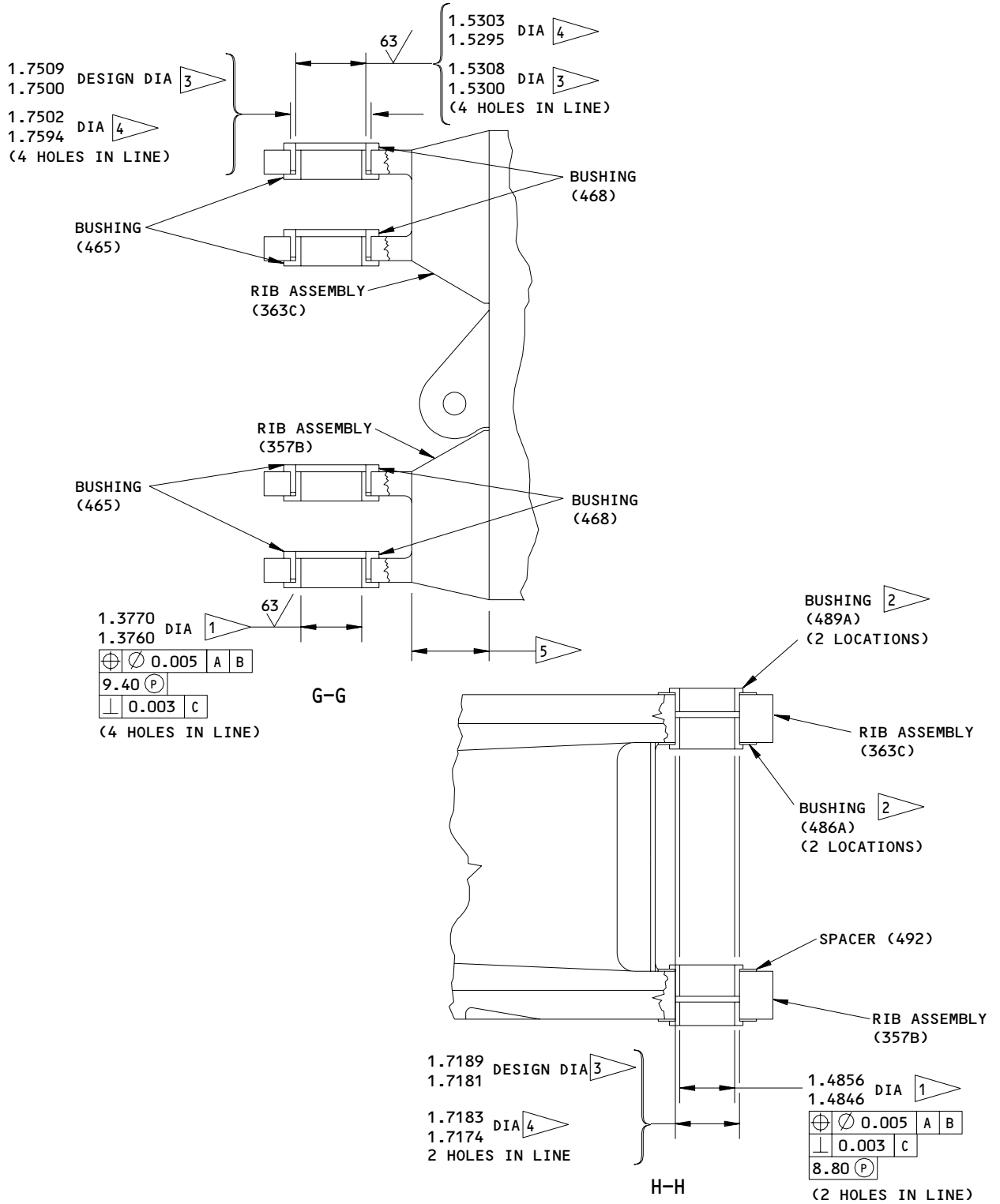
REPAIR 2-1

Page 618

Nov 01/03

01.1

BOEING
COMPONENT
MAINTENANCE MANUAL



113T1240-113 thru -116,-123 thru -126
 Outboard Support Rib Assembly Repair
 Figure 603 (Sheet 5)

57-53-31

REPAIR 2-1



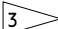

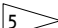
Page 619

Nov 01/03


01.1

REFINISH

APPLY COLORED CHEMICAL COATING (F-17.10)
TO HOLES AFTER SHOT PEENING. SEE 3. FOR
REFINISHING OF DETAIL PARTS

- 1  SEE SHEET 3, D-D FOR DATUM PLANE -C-
- 2  SEE SHEET 4, A FOR FILLET SEALING
BUSHING FLANGES
- 3  THIS DIMENSION APPLIES TO PART NUMBER
113T1240-113 THRU -116 ONLY
- 4  THIS DIMENSION APPLIES TO PART NUMBER
113T1240-123 THRU -126 ONLY
- 5  APPLY ARASION RESISTANT FINISH (F-14.9625)
OVER PRIMER IN THE AREA SHOWN

REPAIR

63  ALL MACHINED SURFACES UNLESS SHOWN
DIFFERENTLY

SHOT PEEN (MANUAL PEEN OPT):
SHOT SIZE 0.023-0.055
INTENSITY 0.010 A
COVERAGE 2.0

MATERIAL: ALUMINUM ALLOY
ALL DIMENSIONS ARE IN INCHES

113T1240-113 thru -116,-123 thru -126
Outboard Support Rib Assembly Repair
Figure 603 (Sheet 6)

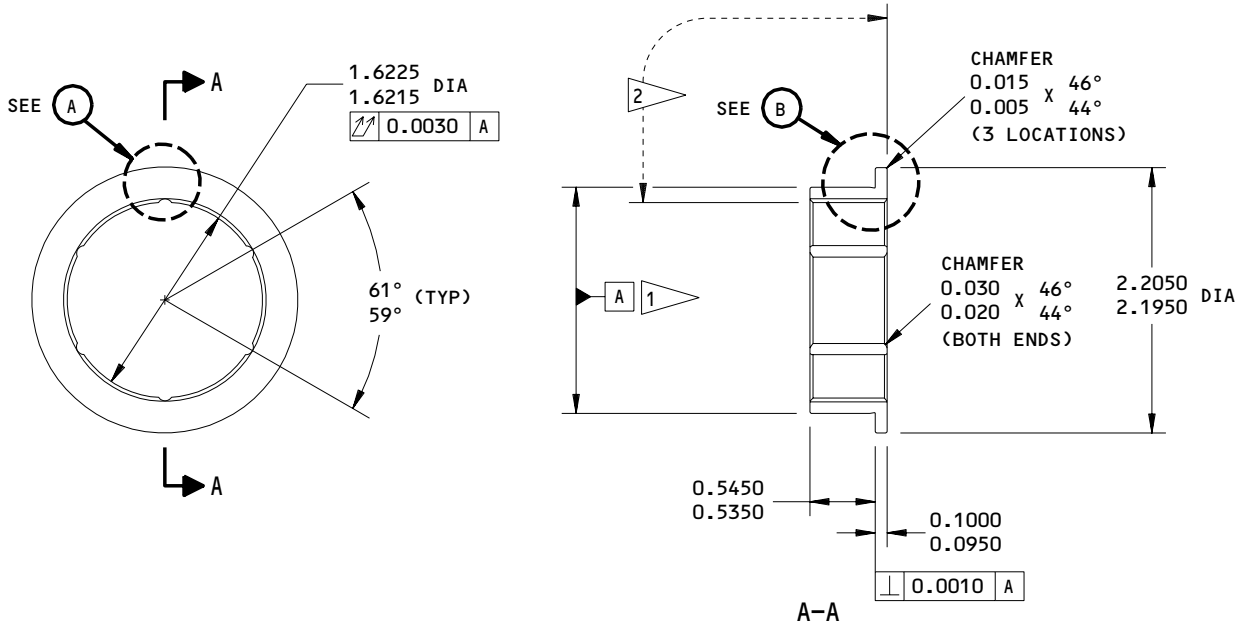
57-53-31

REPAIR 2-1

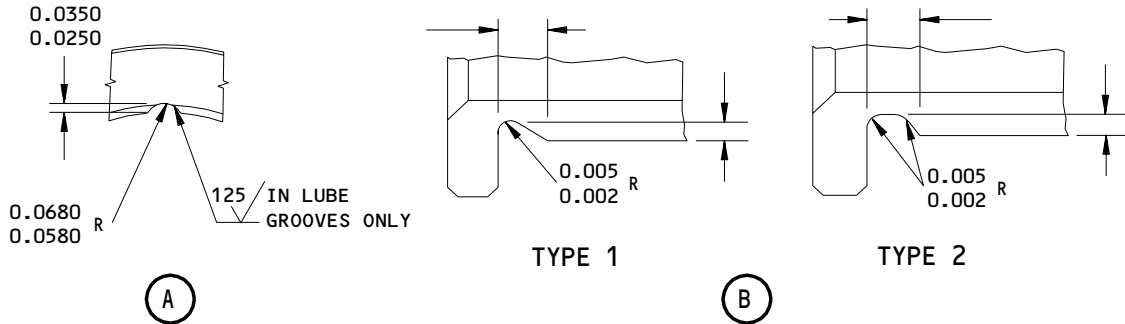
01.1

Page 620

Nov 01/03



OVERSIZE REPLACEMENT FOR BUSHING (375)



- 1 FINAL BUSHING OUTSIDE DIAMETER EQUALS REPAIR DIAMETER OF FITTING PLUS INTERFERENCE OF 0.0019-0.0038
- 2 CADMIUM PLATE THIS AREA

63/ ALL MACHINED SURFACES UNLESS SHOWN DIFFERENTLY

CHECK: PENETRANT AS SHOWN IN SOPM 20-20-02 AFTER MACHINING

MATERIAL: AL-NI-BRZ AS SHOWN IN AMS 4640

FINISH: CADMIUM PLATE AS SHOWN IN SOPM 20-42-05, TYPE 2, CLASS 2 (F-15.06) ON THE AREA SHOWN BY 2 ALL OTHER AREAS OPTIONAL

DIMENSIONS APPLY AFTER PLATING

ALL DIMENSIONS ARE IN INCHES

Oversize Bushing Details
 Figure 604

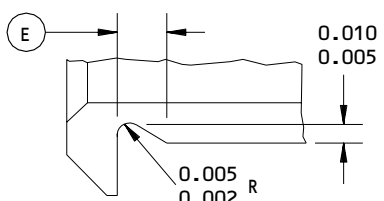
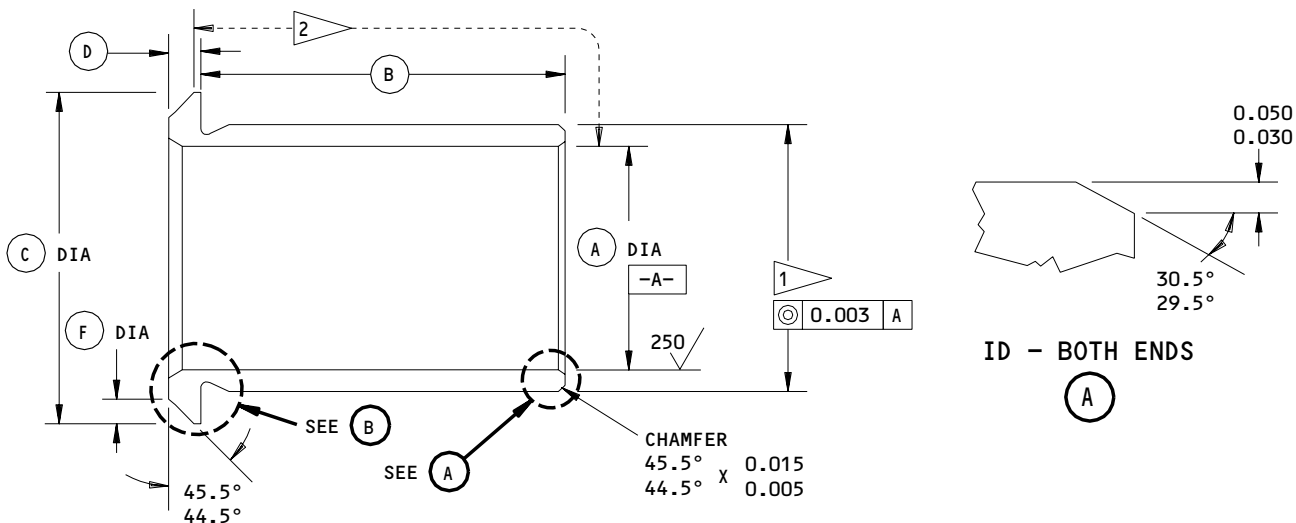
57-53-31

REPAIR 2-1

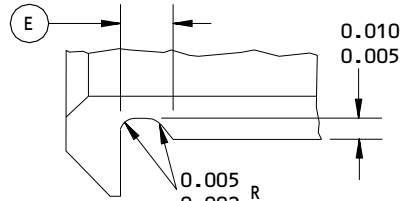
01.1

Page 621

Nov 01/03



TYPE 1



TYPE 2

UNDERCUT TYPE 1 OR TYPE 2 OPTIONAL

(B)

Oversize Bushing Details
 Figure 605 (Sheet 1)

57-53-31

REPAIR 2-1
 Page 622
 Nov 01/03

01.1

BOEING
 COMPONENT
 MAINTENANCE MANUAL

ORIGINAL BUSHING NO. (REF)	(A)	(B)	(C)	(D)	(E)	(F)	INTERFERENCE
IPL FIG. 1; 532 IPL FIG. 3; 468	1.5280 1.5270	0.48 0.47	2.26 2.24	0.120 0.115	0.060 0.030	0.015 0.005	0.0011-0.0029
IPL FIG. 1; 536 IPL FIG. 3; 474	2.4710 2.4700	1.44 1.43	3.31 3.29	0.065 0.060	0.060 0.030	0.015 0.005	0.0018-0.0037
IPL FIG. 6; 365	0.730 0.710	0.490 0.480	1.040 1.020	0.070 0.065	0.060 0.030	0.015 0.005	0.0018-0.0035
IPL FIG. 6; 385	2.4710 2.4700	1.44 1.43	3.31 3.29	0.065 0.060	0.060 0.030	0.015 0.005	0.0028-0.0056
IPL FIG. 6; 390	0.730 0.770	0.490 0.480	1.040 1.020	0.070 0.065	0.060 0.030	0.015 0.005	0.0006-0.0020

1 FINAL BUSHING OUTSIDE DIAMETER EQUALS REPAIR DIAMETER OF FITTING PLUS INTERFERENCE

2 CADMIUM PLATE THIS AREA

63/ ALL MACHINED SURFACES UNLESS SHOWN DIFFERENTLY

CHECK: MAGNETIC PARTICLE AS SHOWN IN SOPM 20-20-01 AFTER MACHINING

MATERIAL: 15-5PH CRES, 180-200 KSI

FINISH: CADMIUM PLATE AS SHOWN IN SOPM 20-42-05, TYPE 2, CLASS 2 (F-15.06) ON THE AREA SHOWN BY 2, ALL OTHER AREAS OPTIONAL

DIMENSIONS APPLY AFTER PLATING

ALL DIMENSIONS ARE IN INCHES

Oversize Bushing Details
 Figure 605 (Sheet 2)

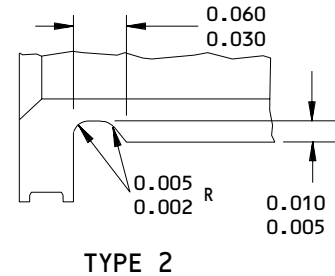
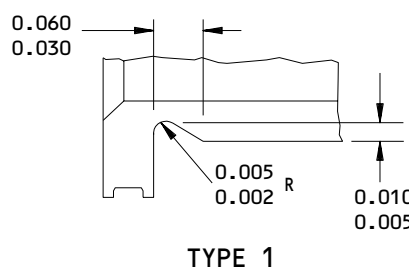
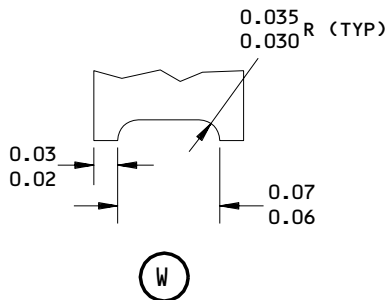
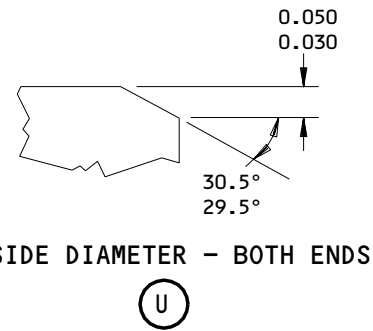
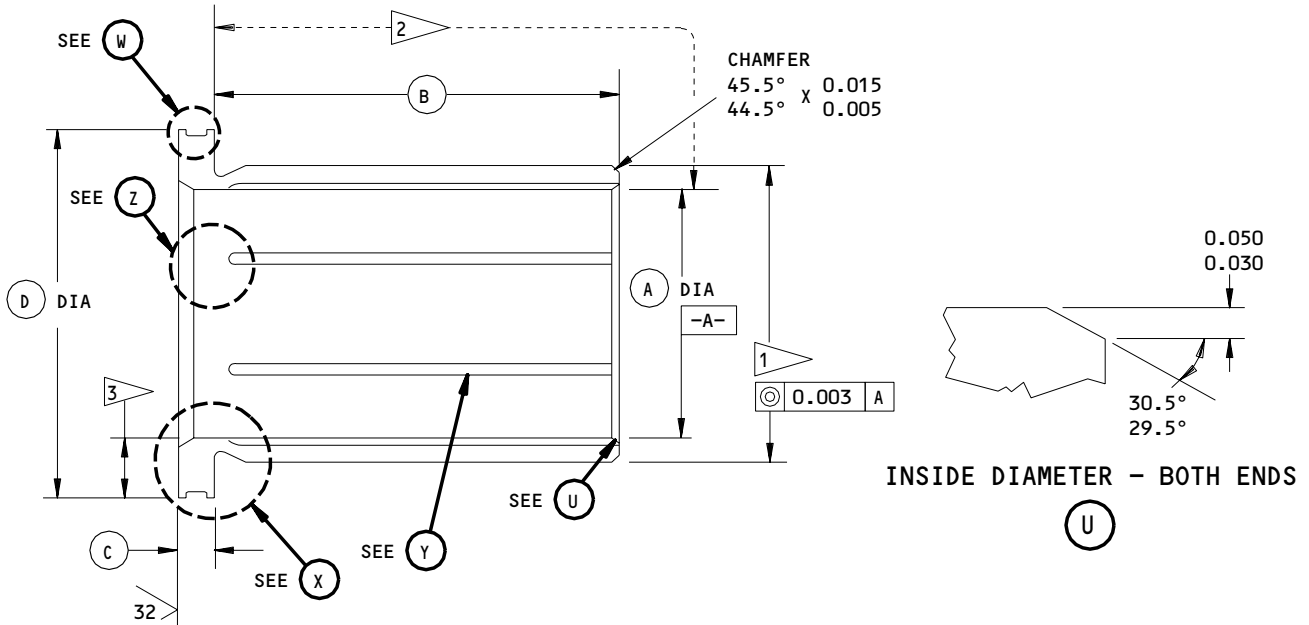
57-53-31

REPAIR 2-1

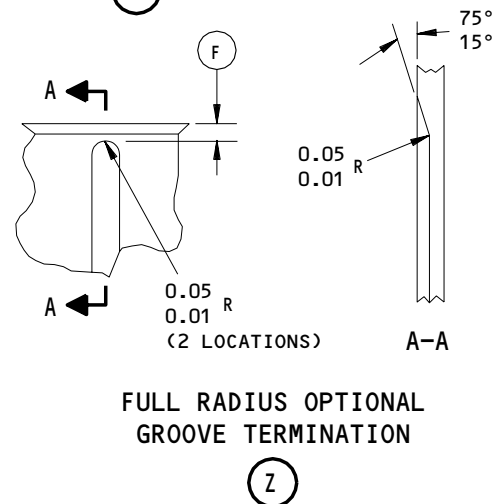
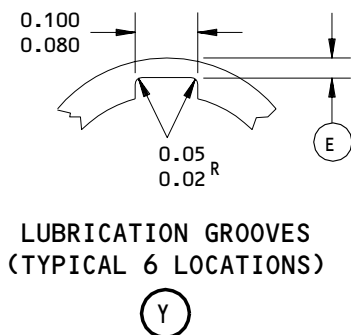
01.1

Page 623

Nov 01/03



UNDERCUT TYPE 1 OR TYPE 2 OPTIONAL



Oversize Bushing Details
 Figure 606 (Sheet 1)

57-53-31

REPAIR 2-1

Page 624

Nov 01/03

01.1

BOEING
 COMPONENT
 MAINTENANCE MANUAL

ORIGINAL BUSHING NO. (REF)	(A)	(B)	(C)	(D)	(E)	(F)	INTERFERENCE
IPL FIG. 1; 538 IPL FIG. 3; 477	1.6225 1.6215	0.31 0.29	0.135 0.130	2.120 2.110	0.105 0.095	0.12 0.08	0.0012-0.0030
IPL FIG. 3; 477A	1.6075 1.6065	0.31 0.29	0.135 0.130	2.120 2.110	0.105 0.095	0.12 0.08	0.0012-0.0030
IPL FIG. 1; 540 IPL FIG. 3; 480	1.6225 1.6215	0.73 0.71	0.135 0.130	2.120 2.110	0.105 0.095	0.27 0.23	0.0012-0.0030
IPL FIG. 3; 480A	1.6075 1.6065	0.73 0.71	0.135 0.130	2.120 2.110	0.105 0.095	0.27 0.23	0.0012-0.0030
IPL FIG. 1; 544 IPL FIG. 3; 486	1.4970 1.4950	0.68 0.66	0.135 0.130	1.995 1.985	0.090 0.080	0.27 0.23	0.0011-0.0027
IPL FIG. 3; 486A	1.4820 1.4800	0.68 0.66	0.135 0.130	1.995 1.985	0.090 0.080	0.27 0.23	0.0011-0.0027
IPL FIG. 6; 355	1.4820 1.4800	0.68 0.66	0.135 0.130	1.995 1.985	0.090 0.080	0.27 0.23	0.0017-0.0034
IPL FIG. 1; 546 IPL FIG. 3; 489	1.4970 1.4950	0.51 0.49	0.135 0.130	1.995 1.985	0.090 0.080	0.17 0.13	0.0011-0.0027
IPL FIG. 3; 489A	1.4820 1.4800	0.51 0.49	0.135 0.130	1.995 1.985	0.090 0.080	0.17 0.13	0.0011-0.0027
IPL FIG. 6; 350	1.4820 1.4800	0.51 0.49	0.135 0.130	1.995 1.985	0.090 0.080	0.17 0.13	0.0017-0.0034

1 FINAL BUSHING OUTSIDE DIAMETER EQUALS REPAIR DIAMETER OF FITTING PLUS INTERFERENCE

2 CADMIUM PLATE THIS AREA

3 APPLY CADMIUM PLATE (F-15.03) 0.0005-0.0010 THICK TO THIS SURFACE

63/ ALL MACHINED SURFACES UNLESS SHOWN DIFFERENTLY

CHECK: PENETRANT AS SHOWN IN SOPM 20-20-02 AFTER MACHINING

MATERIAL: AL-NI-BRZ PER AMS 4640

FINISH: CADMIUM PLATE AS SHOWN IN SOPM 20-42-05, TYPE 2, CLASS 2 (F-15.06) ON THE AREA SHOWN BY 2, ALL OTHER AREAS OPTIONAL

DIMENSIONS APPLY AFTER PLATING

ALL DIMENSIONS ARE IN INCHES

Oversize Bushing Details
 Figure 606 (Sheet 2)

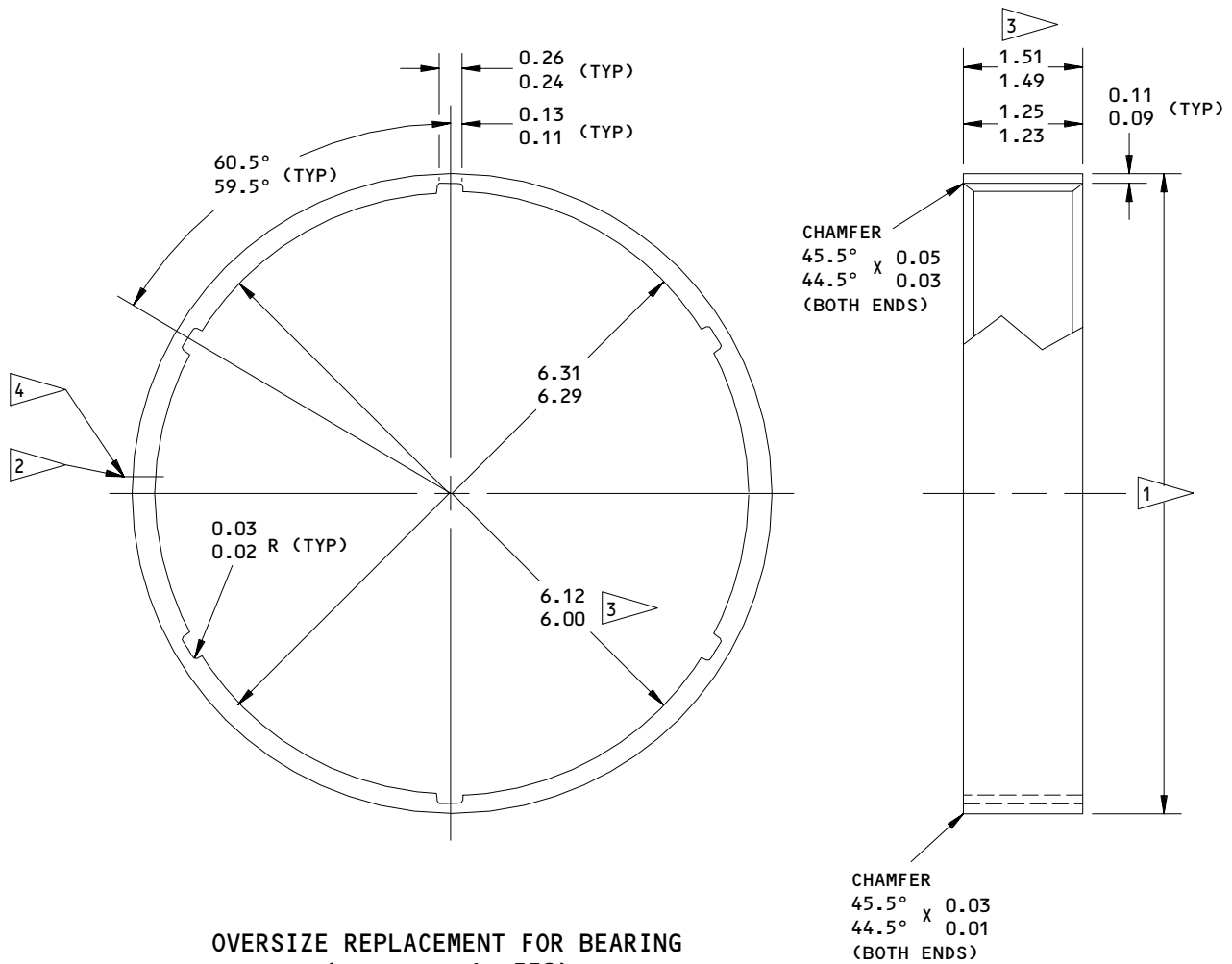
57-53-31

REPAIR 2-1

01.1

Page 625

Nov 01/03



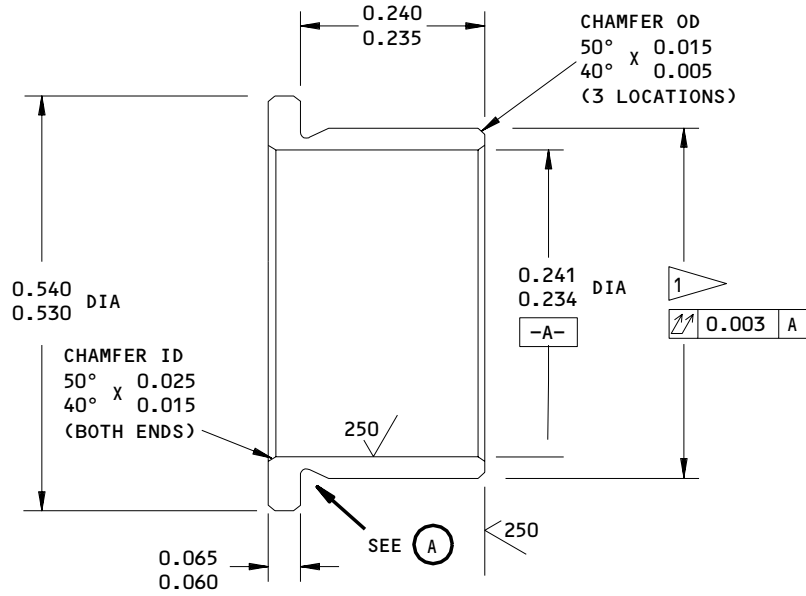
OVERSIZE REPLACEMENT FOR BEARING
 (IPL FIG. 1; 550)
 (IPL FIG. 3; 495)
 (IPL FIG. 6; 410)

- 1 FINAL OUTSIDE DIAMETER EQUALS REPAIR DIAMETER OF FITTING PLUS 0.0020-0.0050 INTERFERENCE
- 2 BUTT JOINT TO BE LOCATED BETWEEN SLOTS
- 3 DIMENSIONS BEFORE WELDING, FINAL MACHINE AFTER WELDING
- 4 FLASH WELD BUTT JOINT PER AMS 7490

- 63 ALL MACHINED SURFACES
- CHECK: MAGNETIC PARTICLE AS SHOWN IN SOPM 20-20-01 AFTER MACHINING
- MATERIAL: 15-5PH CRES, 180-200 KSI
- FINISH: CADMIUM PLATE PER SOPM 20-42-05, TYPE 2, CLASS 2
- DIMENSIONS APPLY AFTER PLATING
- ALL DIMENSIONS ARE IN INCHES

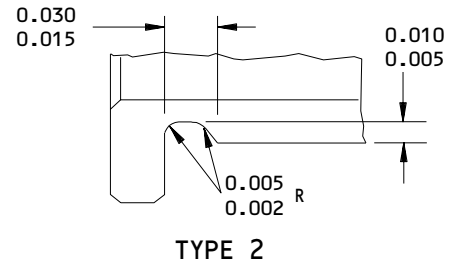
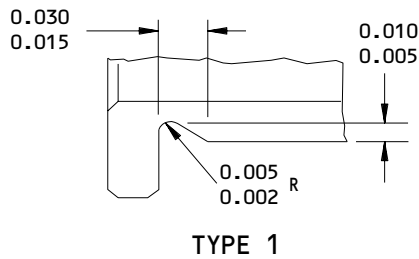
**Oversize Bearing Details
 Figure 607**

BOEING
COMPONENT
MAINTENANCE MANUAL



OVERSIZE REPLACEMENT FOR BUSHINGS

- (IPL FIG. 1; 528)
- (IPL FIG. 3; 462)
- (IPL FIG. 6; 400)



UNDERCUT TYPE 1 OR TYPE 2 OPTIONAL

(A)

1 FINAL BUSHING OUTSIDE DIAMETER EQUALS REPAIR DIAMETER OF FITTING PLUS 0.0003-0.0014 INTERFERENCE

63/ ALL MACHINED SURFACES UNLESS SHOWN DIFFERENTLY

MATERIAL: 15-5PH CRES, 180-200 KSI
 OPTIONAL: 17-4PH CRES FOR 114N4156-1

FINISH: CADMIUM PLATE AS SHOWN IN SOPM 20-42-05, TYPE 2, CLASS 2, PLATING IN BORE OPTIONAL

DIMENSIONS APPLY AFTER PLATING
 ALL DIMENSIONS ARE IN INCHES

Oversize Bushing Details
 Figure 608

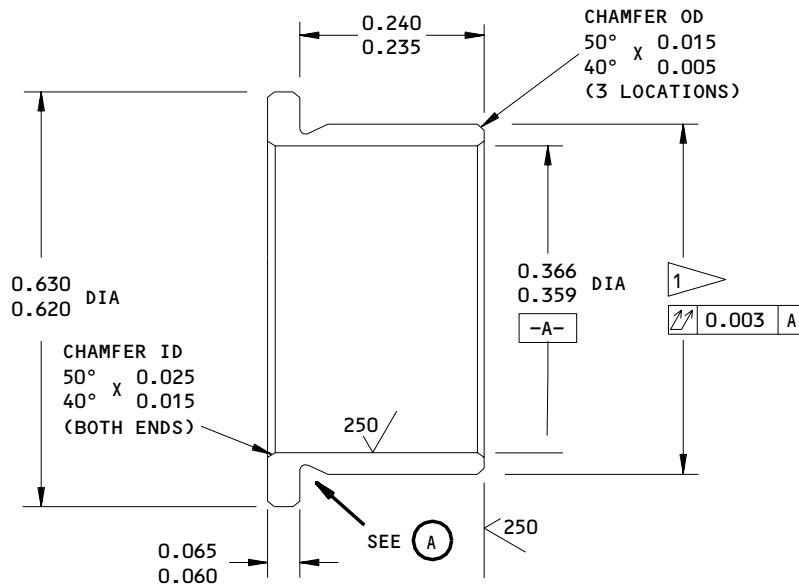
57-53-31

REPAIR 2-1

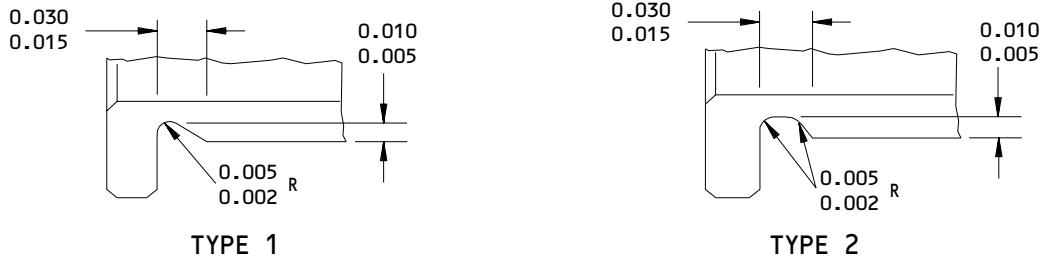
01.1

Page 627

Nov 01/03



OVERSIZE REPLACEMENT FOR BUSHINGS
 (IPL FIG. 1; 526)
 (IPL FIG. 3; 459)
 (IPL FIG. 6; 405)



UNDERCUT TYPE 1 OR TYPE 2 OPTIONAL



1 FINAL BUSHING OUTSIDE DIAMETER EQUALS REPAIR DIAMETER OF FITTING PLUS 0.0004-0.0015 INTERFERENCE

63 ALL MACHINED SURFACES UNLESS SHOWN DIFFERENTLY

MATERIAL: AL-NI-BR PER AMS 4640
 HEAT TREAT: HR50 OR TQ50 PER AMS 4640
 FINISH: CADMIUM PLATE AS SHOWN IN SOPM 20-42-05, TYPE 2, CLASS 2, PLATING IN BORE OPTIONAL

DIMENSIONS APPLY AFTER PLATING
 ALL DIMENSIONS ARE IN INCHES

**Oversize Bushing Details
 Figure 609**

57-53-31

REPAIR 2-1

01.1

Page 628

Nov 01/03

ARM ASSEMBLY – REPAIR 3-1

113T1227-1, -2, -3, -4, -13, -14, -19, -20

NOTE: Refer to REPAIR-GEN for list of applicable standard practices.

1. Bushing Replacement (686, 688, 690, IPL Fig. 1; 205, 210, 215, IPL Fig. 4; 275, 280, 285, IPL Fig. 6)

- A. Remove bushings.
- B. Check holes for bushings (688, 690 IPL Fig. 1; 210, 215, IPL Fig. 4; 275, 280, 285, IPL Fig. 6) for damage or corrosion and repair, if necessary, per 2.
- C. Install bushings per 20-50-03 using wet BMS 5-95 sealant.
- D. Machine bores of bushings to dimensions shown (Fig. 601).
- E. Fillet seal around flanges of bushings using BMS 5-95 wet sealant.

2. Repair

- A. Repair hole for bushing (688, 690, IPL Fig. 1; 210, 215, IPL Fig. 4; 275, 280, 285, IPL Fig. 6).
 - (1) Machine fitting (692, 694, 696, 698, IPL Fig. 1; 220, 225, 230, 235, IPL Fig. 4; 305, 310, 315, 320, IPL Fig. 6), as required to remove discrepancies, per Fig. 601.
 - (2) Magnetic particle check per 20-20-01.
 - (3) Shot peen bore per 20-10-03 and Fig. 601.
 - (4) Refinish per 3.A.
 - (5) Magnetic particle check per 20-20-01.
 - (6) Fabricate oversize bushing(s) per Fig. 602.

3. Refinish

- A. Fittings (692, 694, 696, 698, IPL Fig. 1; 220, 225, 230, 235, IPL Fig. 4; 305, 310, 315, 320, IPL Fig. 6) -- Cadmium-titanium alloy plate (0.0005 to 0.0007 inch), bake 12 hours minimum at 375 ±25°F and apply chromate post-plate treatment (F-15.32) all over. Apply one coat BMS 10-11, type 1 primer (F-20.02) all over except omit primer from splines, 4.750 inch diameter bore, and 2.168 inch diameter bore. Material: 4330M steel.

57-53-31

REPAIR 3-1

01.1

Page 601

Mar 01/00

- B. Arm assembly (678, 680, IPL Fig. 1; 185, 190, IPL Fig. 4; 265, 270, IPL Fig. 6) -- Clean and reactivate primed surfaces. Apply one coat BMS 10-11, type 1 yellow primer (SRF-14.995). Apply BMS 10-60, BAC707 gray gloss enamel (SRF-14.9813) all over, except omit primer and enamel from splines, bushed hole, 4.750 inch diameter bore, and 4.35 inch diameter bore. Material: 4330M steel.

57-53-31

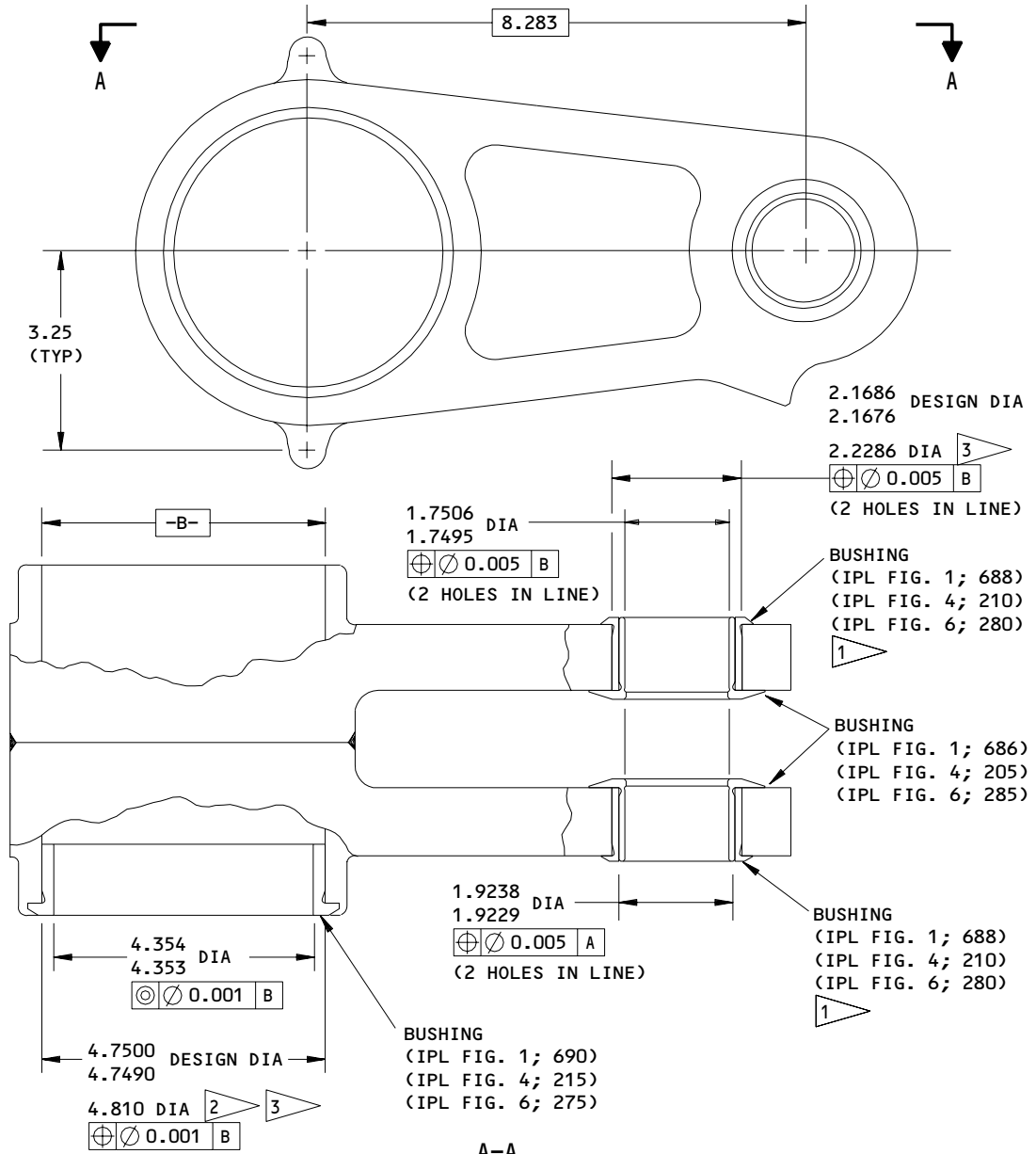
REPAIR 3-1

01.1

Page 602

Mar 01/00

BOEING
 COMPONENT
 MAINTENANCE MANUAL



REFINISH SEE 3

- 1 CHAMFER BOTH ENDS OF BUSHING BORE 0.02-0.03 X 44-46 DEGREE AFTER MACHINING
- 2 COUNTERBORE ONLY AS REQUIRED TO SEAT BUSHING. FAIR INTO ORIGINAL DIAMETER WITH A 0.04-0.06 RADIUS AT END OF COUNTERBORE
- 3 REPAIR LIMIT

REPAIR

- $\frac{63}{\sqrt{R}}$ ALL MACHINE SURFACES
- SHOT PEEN:
 0.0170-0.0460 SHOT SIZE
 0.012 A INTENSITY
 2.0 COVERAGE
- MATERIAL: 4330M STEEL, RC 33 MAX
- ALL DIMENSIONS ARE IN INCHES

113T1227-1,-2,-3,-4,-13,-14,-19,-20
 Arm Assembly Repair
 Figure 601

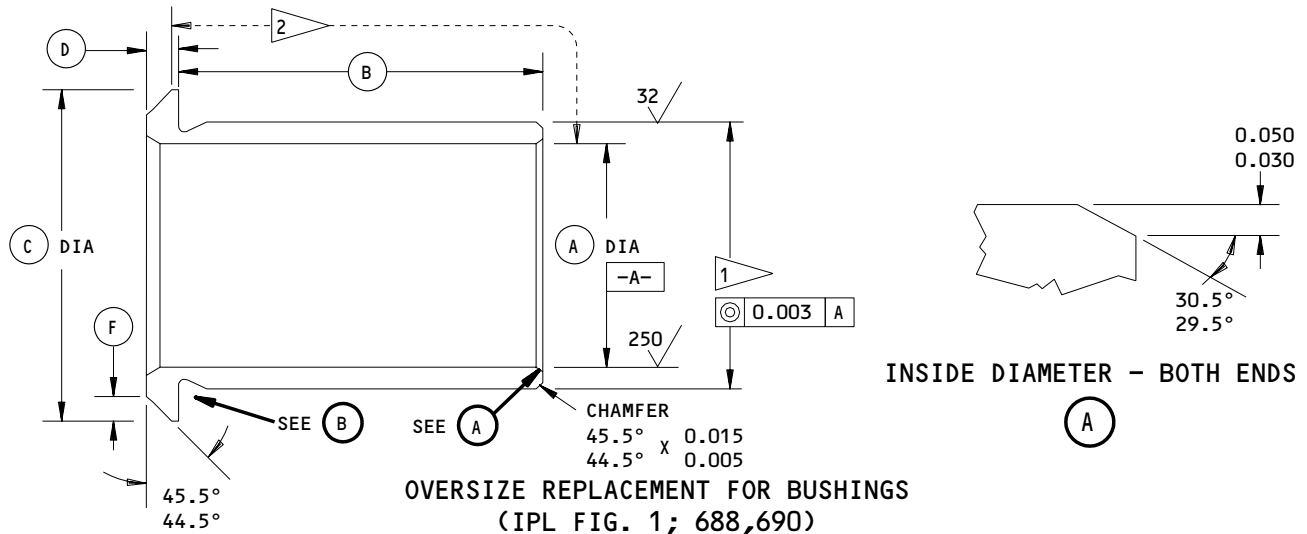
57-53-31

REPAIR 3-1

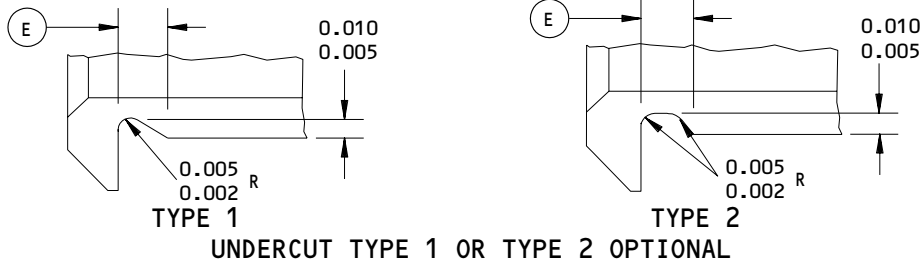
01.1

Page 603

Nov 01/03



OVERSIZE REPLACEMENT FOR BUSHINGS
 (IPL FIG. 1; 688,690)
 (IPL FIG. 4; 210,215)
 (IPL FIG. 6; 275,280)



(B)

ORIGINAL BUSHING NO. (REF)	(A)	(B)	(C)	(D)	(E)	(F)	INTERFERENCE
IPL FIG. 1; 690	4.3100	1.00	5.15	0.200	0.060	0.015	0.0020-0.0045
IPL FIG. 4; 215	4.3050	0.99	4.95	0.195	0.030	0.005	
IPL FIG. 6; 275							
IPL FIG. 1; 688	1.9238	1.08	2.43	0.100	0.060	0.015	0.0014-0.0034
IPL FIG. 4; 210	1.9229	1.07	2.41	0.095	0.030	0.005	
IPL FIG. 6; 280							

- 1 FINAL BUSHING OUTSIDE DIA EQUALS REPAIR DIA OF FITTING PLUS INTERFERENCE
- 2 CADMIUM PLATE IS REQUIRED IN THIS AREA

63/ ALL MACHINED SURFACES UNLESS SHOWN DIFFERENTLY

CHECK: MAGNETIC PARTICLE AS SHOWN IN SOPM 20-20-01 AFTER MACHINING

MATERIAL: 15-5PH CRES, 180-200 KSI

FINISH: CADMIUM PLATE (F-15.06) IS REQUIRED IN THE AREA SHOWN BY 2, ALL OTHER AREAS OPTIONAL

DIMENSIONS APPLY AFTER PLATING

ALL DIMENSIONS ARE IN INCHES

Oversize Bushing Details
 Figure 602

57-53-31

REPAIR 3-1

01.1

Page 604

Jul 01/05

LINK ASSEMBLY - REPAIR 4-1

113T1244-9

NOTE: Refer to REPAIR-GEN for list of applicable standard practices.

1. Bushing Replacement (70, 75, IPL Fig. 1; 36, 39, IPL Fig. 3)

- A. Remove bushings
- B. Check holes for bushings for damage or corrosion and repair, if necessary, per 2.
- C. Install bushings per 20-50-03 using wet BMS 5-95 sealant.
- D. Machine bores of bushings to dimensions shown (Fig. 601).
- E. Fillet seal around flanges of bushings using BMS 5-95 wet sealant.

2. Repair

- A. Repair hole for bushing (70, 75, IPL Fig. 1; 36, 39, IPL Fig. 3)
 - (1) Machine link assembly (55B, IPL Fig. 1; 27 IPL Fig. 3), as required to remove discrepancies, per Fig. 601.
 - (2) Penetrant check per 20-20-02.
 - (3) Shot peen bore(s) per 20-10-03 and Fig. 601.
 - (4) Fabricate oversize bushing(s) per Fig. 602 and 603.

3. Refinish

- A. Link half (60B, 60C, 65, IPL Fig. 1; 30, 30A, 33, IPL Fig. 3) -- Chromic acid anodize. Apply one coat BMS 10-11, type 1 primer (F-18.13) all over except omit primer from holes for bushings. Material: Aluminum alloy.
- B. Link assembly (55B, IPL Fig. 1; 27, IPL Fig. 3) -- Treat scratches and other surfaces bared after application of first coat of primer. Clean and reactivate primed surfaces and apply one coat BMS 10-11, type 1 yellow primer (SRF-14.995) all over. Apply BMS 10-60, BAC707 gray gloss enamel (SRF-14.9813) all over, except omit primer and enamel from bushings and lube fittings. Material: Aluminum alloy.

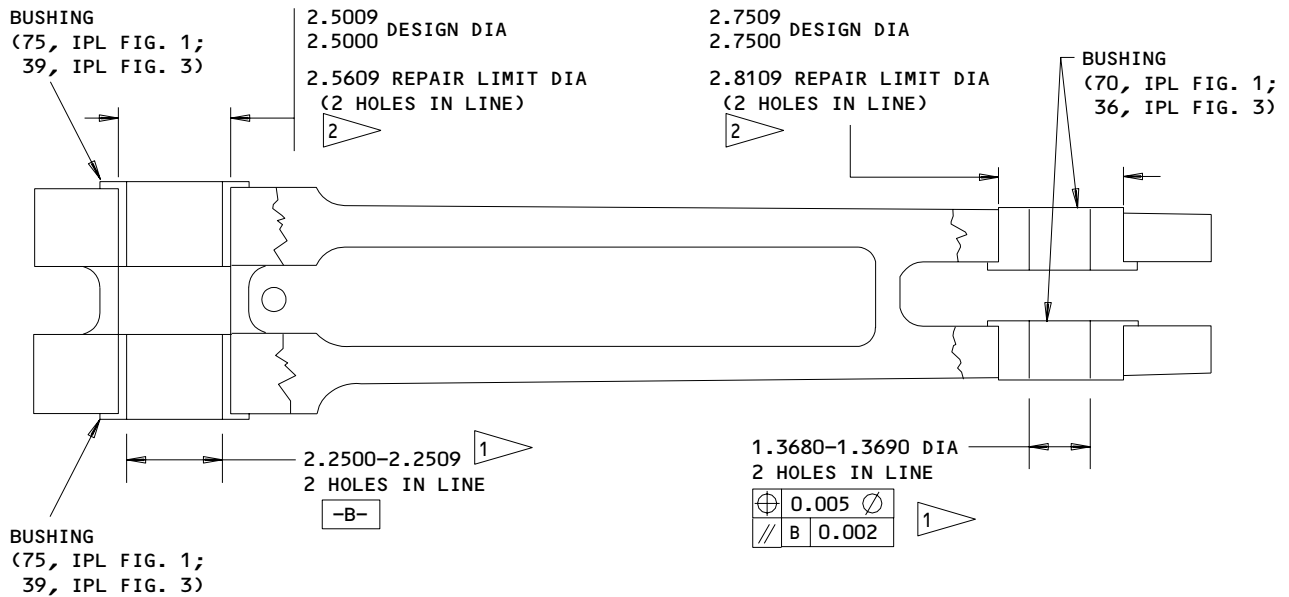
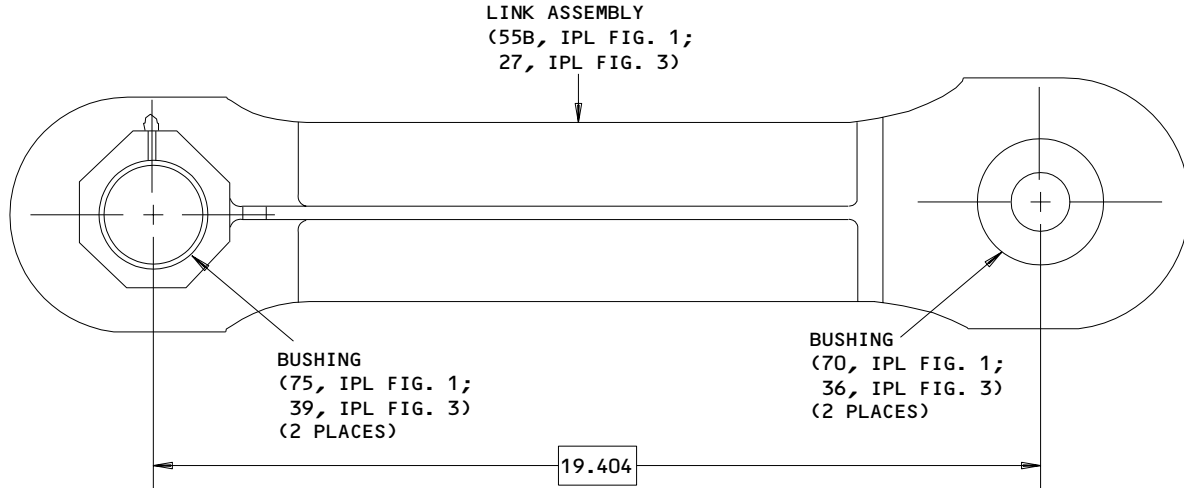
57-53-31

REPAIR 4-1

01.1

Page 601

Apr 10/86

**COMPONENT
MAINTENANCE MANUAL**

REFINISH:

APPLY COLORED CHEMICAL COATING (F-17.10) TO HOLES AFTER SHOT PEENING. SEE 3. FOR MORE INFORMATION

- 1 CHAMFER BUSHING BORE 0.01-0.03 X 45 DEGREES AFTER MACHINING
- 2 AFTER SHOT PEENING

REPAIR:

63/ ALL MACHINED SURFACES

SHOT PEEN: SHOT SIZE 0.023-0.055
INTENSITY 0.016A
COVERAGE 2.0

MATERIAL: ALUMINUM ALLOY

ALL DIMENSIONS ARE IN INCHES

113T1244-9
Link Assembly - Bushing Replacement
Figure 601

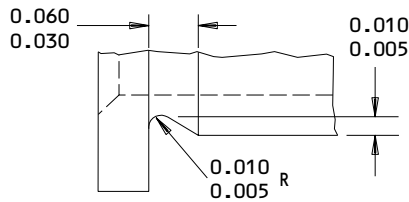
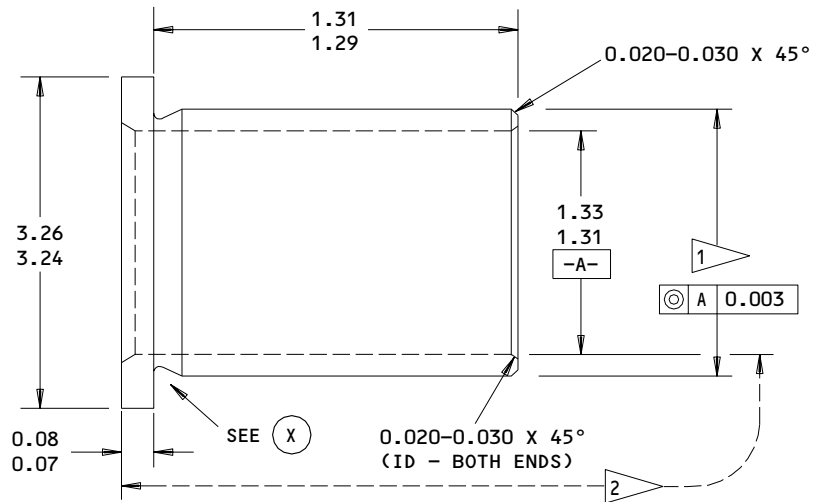
57-53-31

REPAIR 4-1

Page 602

Apr 10/86

01.1



(X)

1 FINAL BUSHING OUTSIDE DIA EQUALS REPAIR DIA OF FITTING PLUS 0.0061-0.0080 INTERFERENCE

2 CADMIUM PLATE THIS AREA

ALL DIMENSIONS ARE IN INCHES

DIMENSIONS APPLY AFTER PLATING

63/ ALL MACHINED SURFACES, EXCEPT AS NOTED
 ANGULAR TOLERANCE, ±2.00 DEG

MATERIAL: AL-NI-BRZ PER AMS 4640

FINISH: CADMIUM PLATE PER 20-42-05, TYPE 1, CLASS 2 AREA SHOWN BY 2

BUSHING REPLACEMENT FOR BUSHING (70, IPL FIG. 1; 36, IPL FIG. 3)
 Oversize Bushing Details
 Figure 602

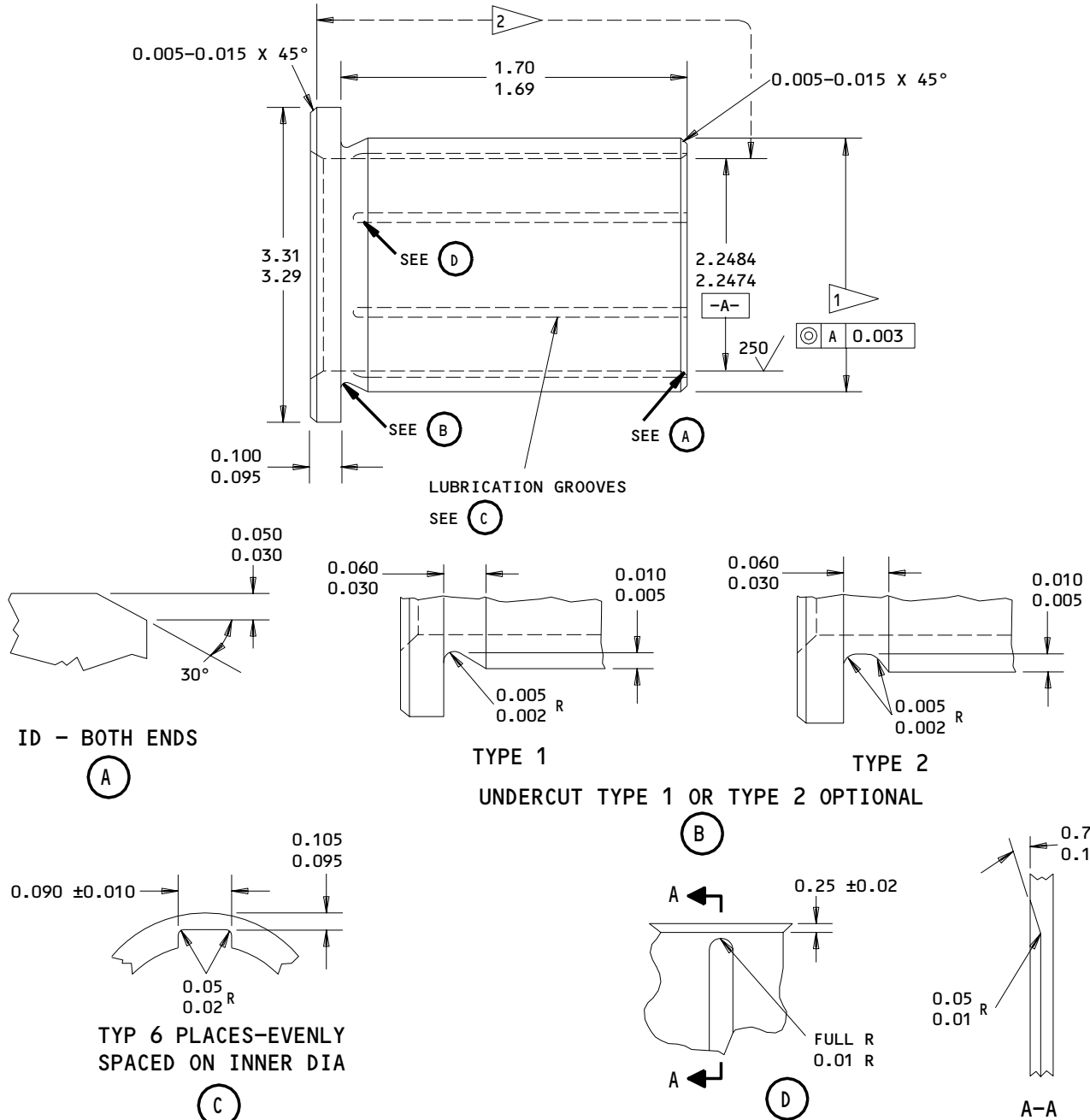
57-53-31

REPAIR 4-1

01.1

Page 603

Apr 10/86



1 FINAL BUSHING OUTSIDE DIA EQUALS REPAIR DIA OF FITTING PLUS 0.0014-0.0035 INTERFERENCE

2 CADMIUM PLATE THIS AREA

ALL DIMENSIONS ARE IN INCHES
 DIMENSIONS APPLY AFTER PLATING

63 ALL MACHINED SURFACES, EXCEPT AS NOTED

ANGULAR TOLERANCE, ±0.50 DEG

MATERIAL: AL-NI-BRZ PER AMS 4640

FINISH: CADMIUM PLATE PER 20-42-05, TYPE 2, CLASS 2, AREA SHOWN BY 2, ALL OTHER AREAS OPTIONAL

BUSHING REPLACEMENT FOR BUSHING (75, IPL FIG. 1; 39, IPL FIG. 3)
Oversize Bushing Details
Figure 603

LINK ASSEMBLY – REPAIR 4-2

113T1497-1, -5, -11

NOTE: Refer to REPAIR-GEN for list of applicable standard practices.

1. Bushing Replacement

- A. Remove the bushings (36, 39, IPL Fig. 3; 50, 55, 60, IPL Fig. 6).
- B. Check the hole for damage or corrosion and repair, if necessary, per 2.
- C. Install the bushings (36, 39, IPL Fig. 3; 50, 55, 60, IPL Fig. 6) with BMS 5-95 sealant as specified by SOPM 20-50-03.
- D. Machine bores of bushings (36, 39, IPL Fig. 3; 50, 55, 60, IPL Fig. 6) to the dimensions as shown in Fig. 601 and Fig. 602.
- E. For link assembly (28, IPL Fig. 3; 45, IPL Fig. 6), install the bushings (35P, IPL Fig. 3; 60, IPL Fig. 6) as specified by SOPM 20-50-03 using wet BMS 5-95 sealant and swage as specified by SOPM 20-50-03 as shown in Fig. 602.
- F. Machine the bores of the bushings (35P, IPL Fig. 3; 60, IPL Fig. 6) to the dimensions as shown in Fig. 602.
- G. For link assemblies (27A, IPL Fig. 3), fillet seal around the flanges of the bushings (36, 39, IPL Fig. 3).

2. Lubrication Fitting Replacement

- A. Remove the worn or damaged lube fittings (65, IPL Fig. 6).
- B. Install the new lube fittings (65, IPL Fig. 6) with BMS 3-33 grease and tighten to 25-30 pound-inches.

57-53-31

REPAIR 4-2

01.1

Page 601

Nov 01/03

- C. Apply BMS 3-33 grease to the fitting until grease appears at the lube holes in the bore.

3. Repair

- A. Repair hole for bushing (36, 39, IPL Fig. 3; 50, 55, IPL Fig. 6).
 - (1) Machine link assembly (27A, IPL Fig. 3, 45, IPL Fig. 6), as required to remove discrepancies, per Fig. 601 and Fig. 602.
 - (2) Do a penetrant check of the machined holes as specified by SOPM 20-20-02.
 - (3) Shot peen the machined holes as specified by SOPM 20-10-03 and Fig. 601;602.
 - (4) Fabricate oversize bushing(s) as shown in Fig. 603 thru Fig. 605.

4. Refinish

- A. Link half (30B, 33, IPL Fig. 3) -- Chromic acid anodize. Apply one coat BMS 10-11, type 1 primer (F-18.13) all over except omit primer from holes for bushings. Material: Aluminum alloy.
- B. Link assembly (27A, IPL Fig. 3; 45, IPL Fig. 6) -- Treat scratches and other surfaces bared after application of first coat of primer. Clean and reactivate primed surfaces and apply one coat BMS 10-11, type 1 yellow primer (SRF-14.995) all over. Apply BMS 10-60, BAC707 gray gloss enamel (SRF-14.9813) all over, except omit primer and enamel from bushings and lube fittings. Material: Aluminum alloy.
- C. Link half (31, 34, IPL Fig. 3; 95, 100, IPL Fig. 6) -- Boric acid-sulfuric acid anodize or chromic acid anodize (F-17.31). Apply BMS 10-11, Type 1 primer (F-20.02) all over except omit primer from holes for bushings. Material: Aluminum alloy.

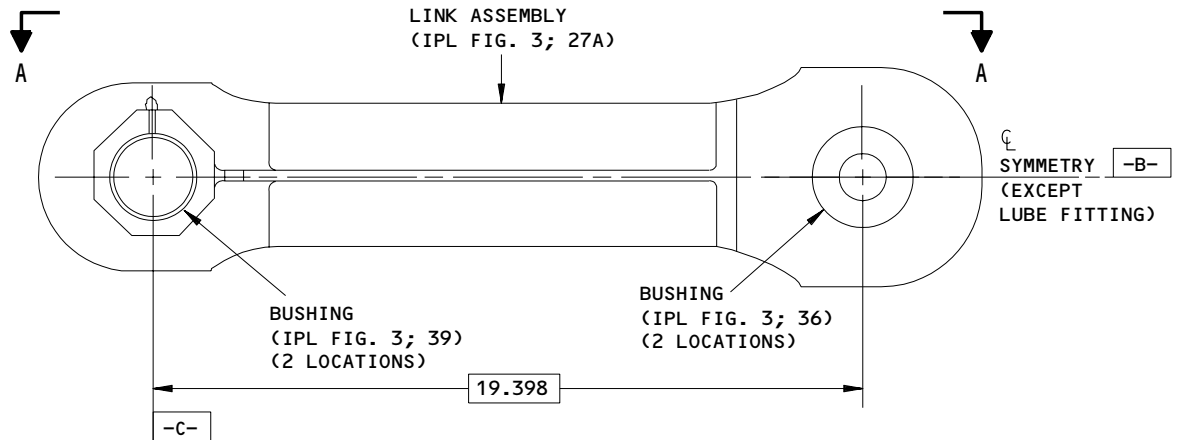
57-53-31

REPAIR 4-2

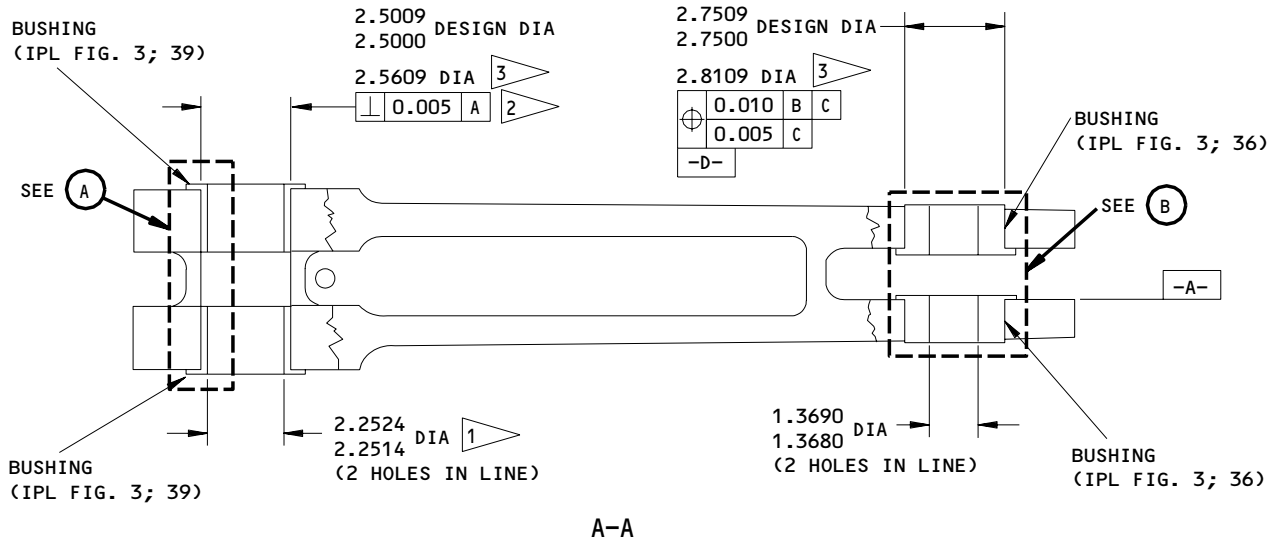
01.1

Page 602

Nov 01/03



113T1497-1,-5



113T1497-1,-5
 Link Assembly Repair
 Figure 601 (Sheet 1)

57-53-31

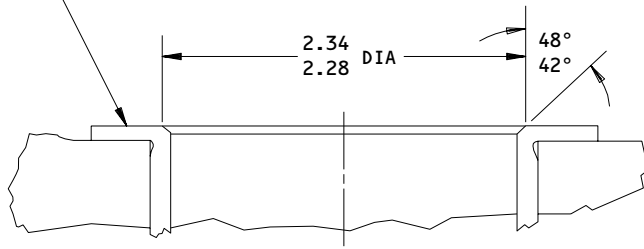
REPAIR 4-2

Page 603

Nov 01/03

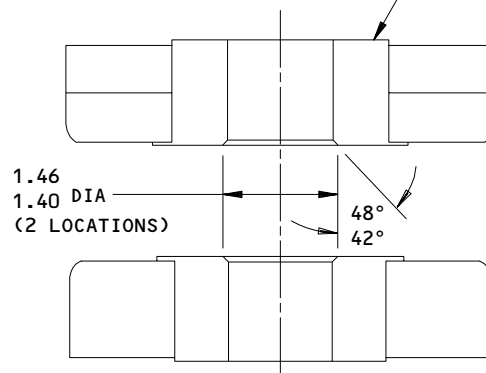
01.1

BUSHING
 (IPL FIG. 3; 39)



(A)

BUSHING
 (IPL FIG. 3; 36)
 (2 LOCATIONS)



(B)

REFINISH

APPLY COLORED CHEMICAL COATING (F-17.10) TO FINAL MACHINED HOLES. SEE PAR. 3 FOR DETAIL PART REFINISH

- 1 CHAMFER BUSHING BORE 0.01-0.03 X 45 DEGREES AFTER MACHINING
- 2 THESE DIMENSIONS TO BE MET AFTER SHOT PEENING. PRE-SHOT PEENED HOLE TO BE CONTROLLED SUCH THAT FINAL HOLE DIAMETER AND SURFACE FINISH CAN BE MET BY REMOVAL OF NOT MORE THAN 0.002 FROM HOLE SURFACE (0.004 MAXIMUM INCREASE IN HOLE DIAMETER. HOLE DIAMETER NOT TO EXCEED REPAIR LIMIT DIAMETER). APPLY COLORED CHEMICAL COATING TO FINAL MACHINED HOLE (F-17.10).

3 REPAIR LIMIT

REPAIR

63/ ALL MACHINED SURFACES

SHOT PEEN:
 INTENSITY 0.012A
 COVERAGE 2.0

MATERIAL: ALUMINUM ALLOY

ALL DIMENSIONS ARE IN INCHES

113T1497-1,-5
 Link Assembly Repair
 Figure 601 (Sheet 2)

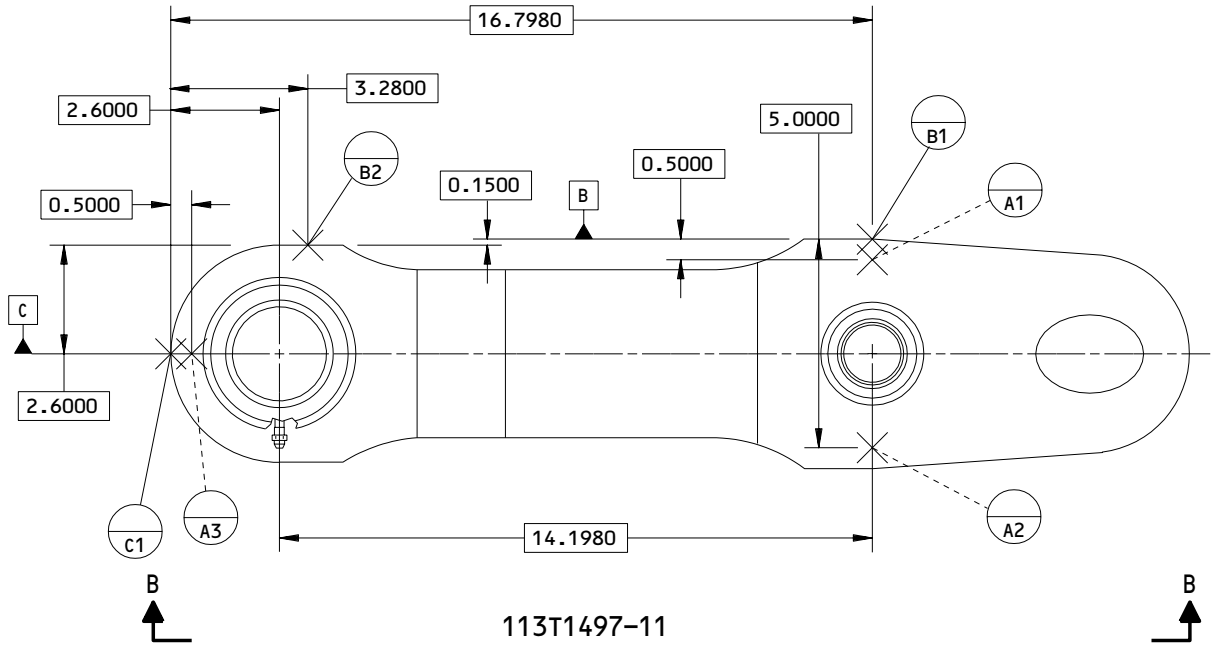
57-53-31

REPAIR 4-2

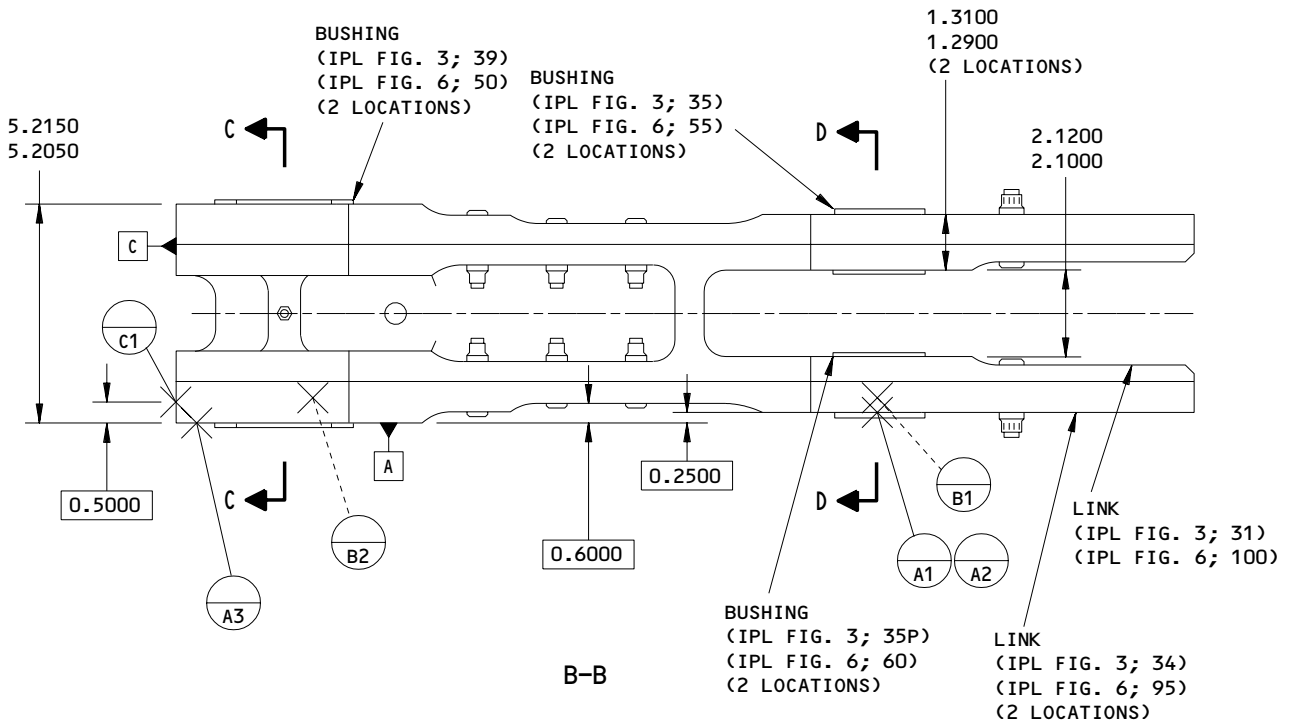
Page 604

Nov 01/03

01.1



113T1497-11



113T1497-11
 Link Assembly Repair
 Figure 602 (Sheet 1)

57-53-31

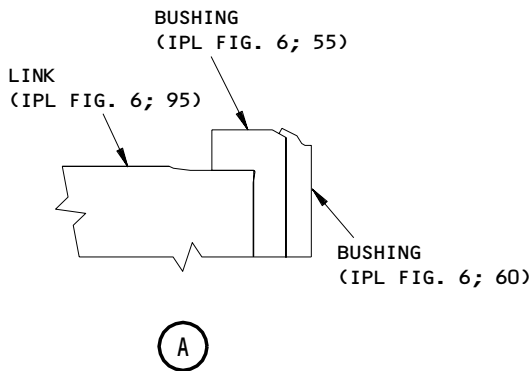
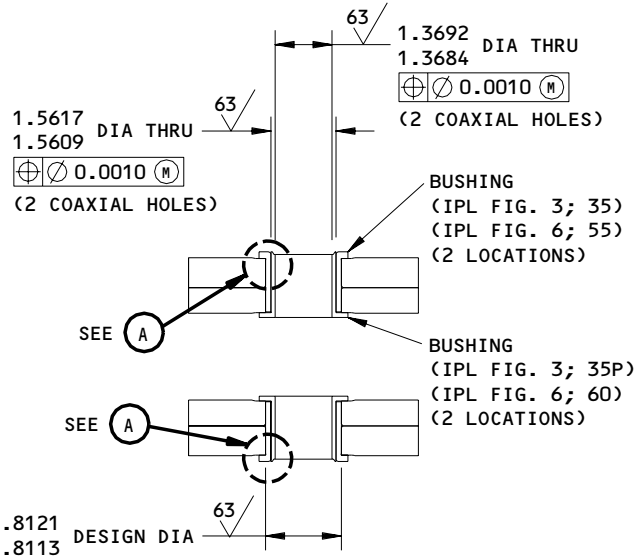
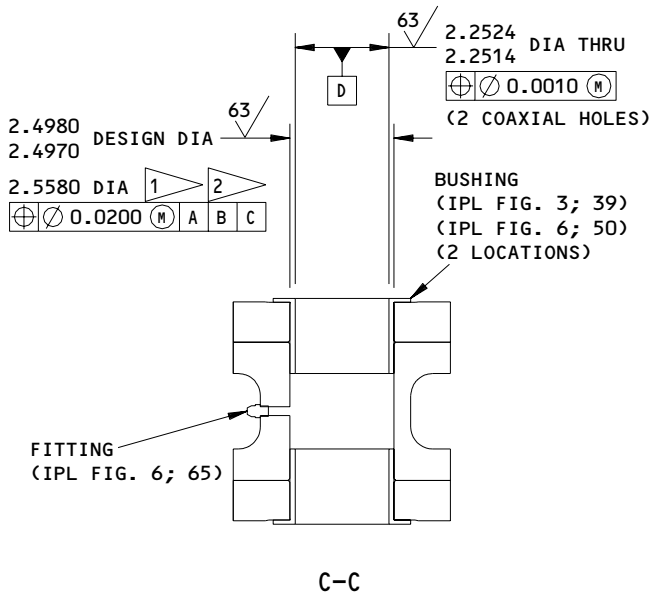
REPAIR 4-2

Page 605

Nov 01/03

01.1

LO4791



REFINISH

APPLY COLORED CHEMICAL COATING (F-17.10) TO FINAL MACHINED HOLES. SEE PAR. 3 FOR DETAIL PART REFINISH

- 1 REPAIR LIMIT
- 2 APPLY COLORED CHEMICAL COATING (F-17.10) TO THE HOLE AFTER MACHING, SHOT PEEN AND PENETRANT CHECK

REPAIR

63 ALL MACHINED SURFACES

SHOT PEEN:
 INTENSITY 0.012A
 COVERAGE 2.0

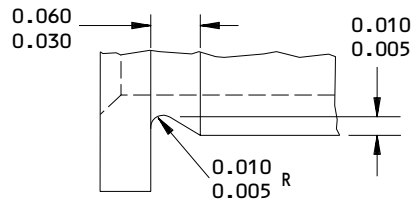
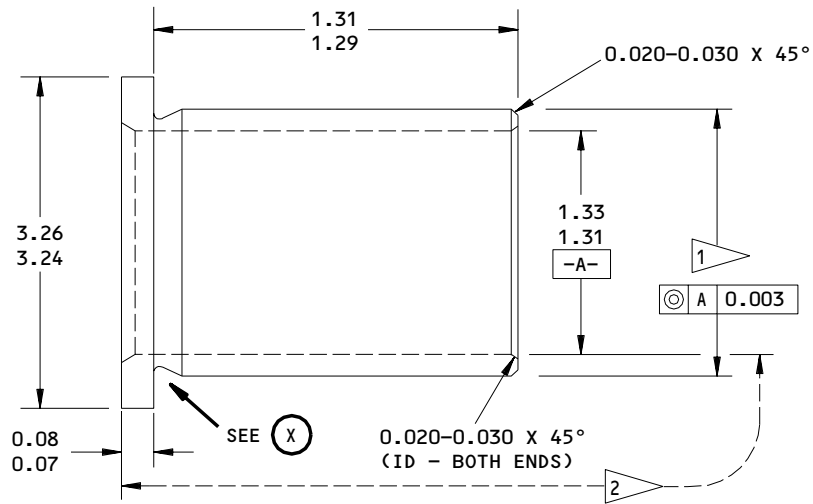
MATERIAL: ALUMINUM ALLOY
 ALL DIMENSIONS ARE IN INCHES

113T1497-11
 Link Assembly Repair
 Figure 602 (Sheet 2)

57-53-31

REPAIR 4-2
 Page 606
 Nov 01/03

01.1



1 FINAL BUSHING OUTSIDE DIA EQUALS REPAIR DIA OF FITTING PLUS 0.0061-0.0080 INTERFERENCE

2 CADMIUM PLATE THIS AREA

ALL DIMENSIONS ARE IN INCHES

DIMENSIONS APPLY AFTER PLATING

63/ ALL MACHINED SURFACES, EXCEPT AS NOTED
 ANGULAR TOLERANCE, ± 2.00 DEG

MATERIAL: AL-NI-BRZ PER AMS 4640

FINISH: CADMIUM PLATE PER 20-42-05, TYPE 1, CLASS 2 AREA SHOWN BY 2

BUSHING REPLACEMENT FOR BUSHING (IPL FIG. 3; 36)
 Oversize Bushing Details
 Figure 603

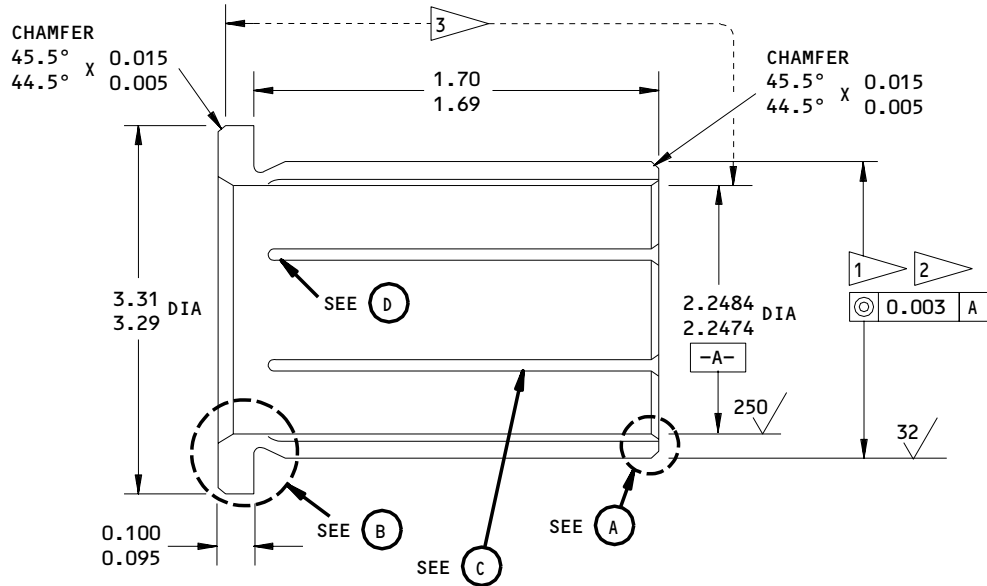
57-53-31

REPAIR 4-2

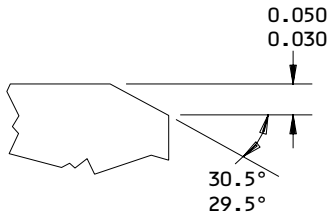
Page 607

Nov 01/03

01.1

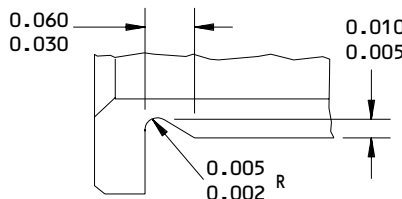


OVERSIZE REPLACEMENT FOR BUSHINGS
 (IPL FIG. 3; 39)
 (IPL FIG. 6; 50)

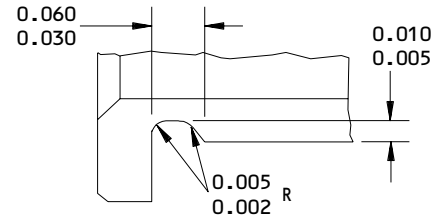


**INSIDE DIAMETER
 (BOTH ENDS)**

(A)



TYPE 1



TYPE 2

UNDERCUT TYPE 1 OR TYPE 2 OPTIONAL

(B)

**Oversize Bushing Details
 Figure 604 (Sheet 1)**

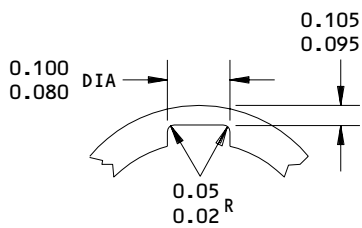
57-53-31

REPAIR 4-2

Page 608

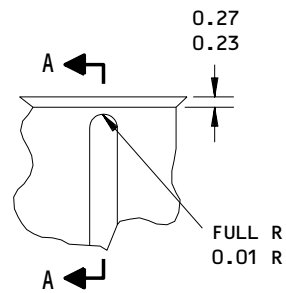
Nov 01/03

01.1

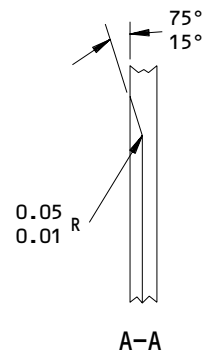


LUBRICATION GROOVES
 (6 LOCATIONS)

(C)



(D)



- 1 FOR BUSHING (IPL FIG. 3; 39): FINAL BUSHING OUTSIDE DIAMETER EQUALS REPAIR DIAMETER OF FITTING PLUS 0.0016-0.0035 INTERFERENCE
- 2 FOR BUSHING (IPL FIG. 6; 50): FINAL OUTSIDE DIAMETER OF FITTING PLUS 0.0045-0.0065 INTERFERENCE
- 3 CADMIUM PLATE THIS AREA

63/ ALL MACHINED SURFACES UNLESS SHOWN DIFFERENTLY

MATERIAL: AL-NI-BRZ PER AMS 4640

FINISH: CADMIUM PLATE PER SOPM 20-42-05, TYPE 2, CLASS 2, AREA SHOWN BY 2, ALL OTHER AREAS OPTIONAL

DIMENSIONS APPLY AFTER PLATING

ALL DIMENSIONS ARE IN INCHES

Oversize Bushing Details
 Figure 604 (Sheet 2)

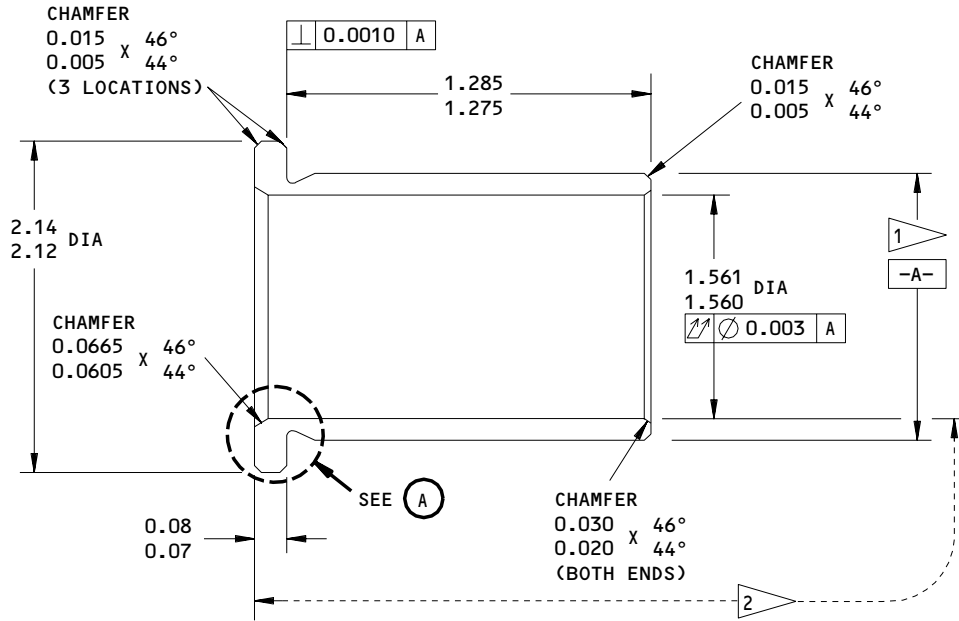
57-53-31

REPAIR 4-2

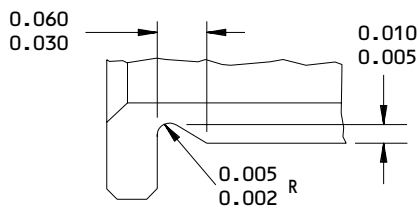
Page 609

Nov 01/03

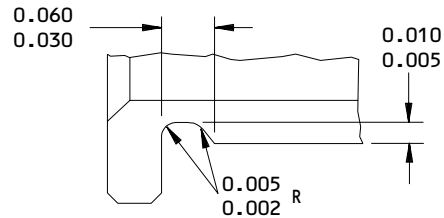
01.1



**OVERSIZE REPLACEMENT FOR BUSHING
 (IPL FIG. 3; 35)
 (IPL FIG. 6; 55)**



TYPE 1



TYPE 2

UNDERCUT TYPE 1 OR TYPE 2 OPTIONAL

(A)

- 1 FINAL BUSHING OUTSIDE DIAMETER EQUALS REPAIR DIAMETER OF FITTING PLUS 0.0031-0.0049 INTERFERENCE
- 2 CADMIUM PLATE THIS AREA

63/ ALL MACHINED SURFACES UNLESS SHOWN DIFFERENTLY

MATERIAL: 15-5PH CRES BAR PER AMS 5659, TYPE 1, SOLUTION TREATED

FINISH: PASSIVATE (F-17.25), THEN APPLY CADMIUM PLATE (F-15.06) TO THE AREA SHOWN BY 2. CADMIUM PLATE IS OPTIONAL ON ALL OTHER AREAS

HEAT TREAT: 150-170 KSI PER BAC 5619

INSPECT: MAGNETIC PARTICLE PER SOPM 20-20-01
 DIMENSIONS APPLY AFTER PLATING

ALL DIMENSIONS ARE IN INCHES

**Oversize Bushing Details
 Figure 605**

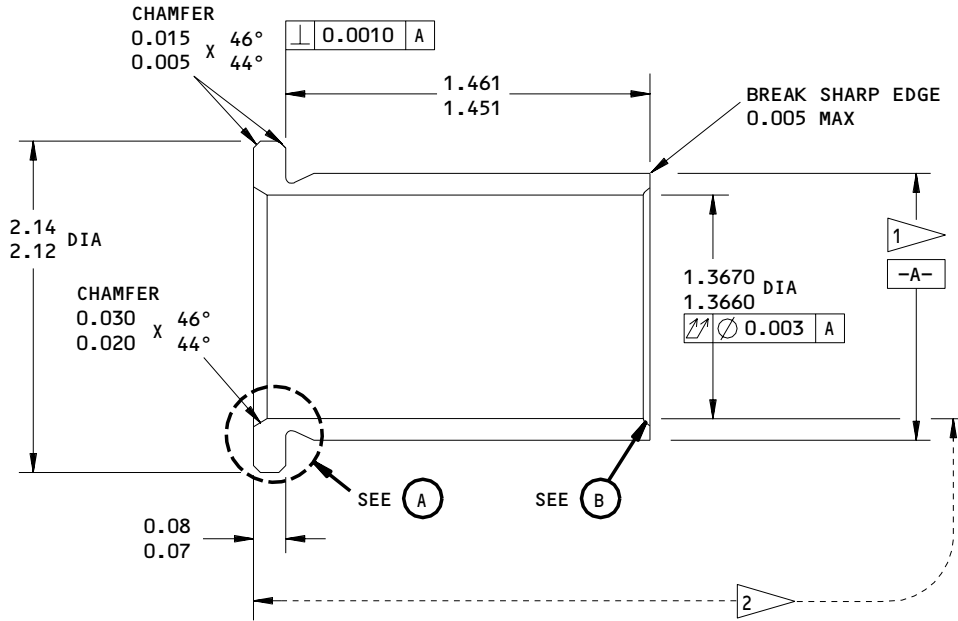
57-53-31

REPAIR 4-2

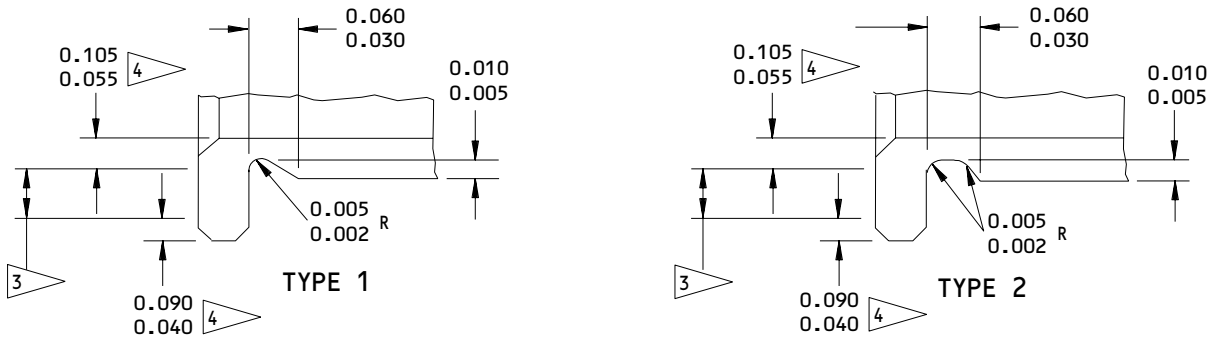
01.1

Page 610

Jul 01/05



OVERSIZE REPLACEMENT FOR BUSHING
 (IPL FIG. 3; 35P)
 (IPL FIG. 6; 60)



UNDERCUT TYPE 1 OR TYPE 2 OPTIONAL

(A)

Oversize Bushing Details
 Figure 606 (Sheet 1)

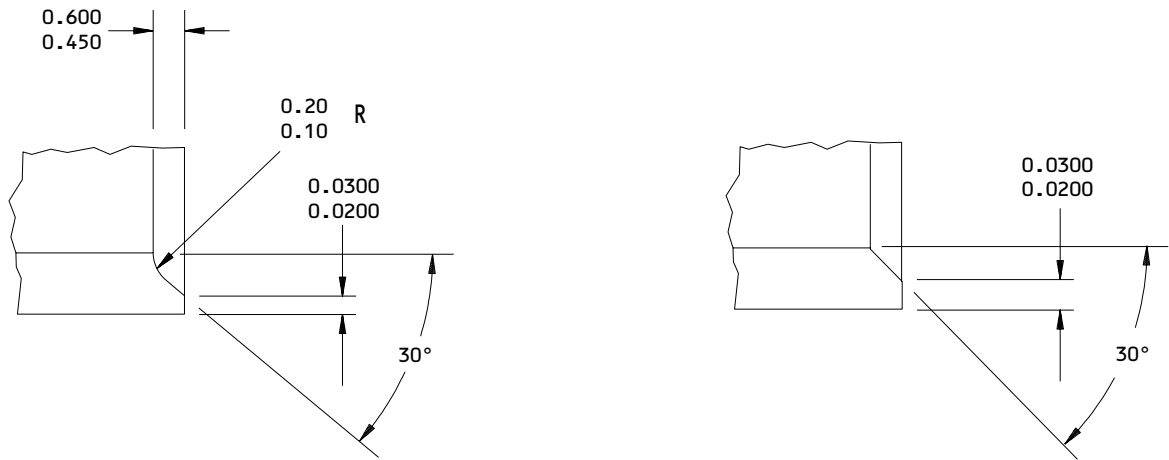
57-53-31

REPAIR 4-2

Page 611

Jul 01/05

01.1



(B)

CHAMFER CONFIGURATION OPTIONAL

- 1 FINAL BUSHING OUTSIDE DIAMETER EQUALS REPAIR DIAMETER OF FITTING PLUS 0.0032-0.0048 INTERFERENCE
- 2 CADMIUM PLATE THIS AREA
- 3 CHROME PLATE THIS AREA F-15.04 0.0005-0.0010 THICKNESS AFTER GRIND SURFACE FINISH 32 MICROINCHES AFTER GRIND
- 4 CHROME PLATE RUNNOUT ALLOWED ON THIS SURFACE

63/ ALL MACHINED SURFACES UNLESS SHOWN DIFFERENTLY

MATERIAL: 15-5PH CRES BAR PER AMS 5659, TYPE 1, SOLUTION TREATED

FINISH: PASSIVATE (F-17.25), THEN APPLY CADMIUM PLATE (F-15.06) TO THE AREA SHOWN BY 2. CADMIUM PLATE IS OPTIONAL ON ALL OTHER AREAS EXCEPT 3

HEAT TREAT: 150-170 KSI PER BAC 5619

INSPECT: MAGNETIC PARTICLE PER SOPM 20-20-01

DIMENSIONS APPLY AFTER PLATING

ALL DIMENSIONS ARE IN INCHES

Oversize Bushing Details
 Figure 606 (Sheet 2)

57-53-31

REPAIR 4-2

Page 612

Jul 01/05

01.1

FITTING ASSEMBLY – REPAIR 5-1

113T1231-1, -2, -7, -8, -9, -10

113T1253-1, -2

NOTE: Refer to REPAIR-GEN for list of applicable standard practices.

1. Bushing Replacement

- A. Remove the bushing (170, IPL Fig. 2; 480, IPL Fig. 7).
- B. Check hole for bushings for damage or corrosion and repair, if necessary, per 3.
- C. If one of the two fitting halves (135, 140, 145, 150, IPL Fig. 2; 565, 570, 575, 580, IPL Fig. 7) needs replacement, apply formed-in-place gasket using BMS 5-95 sealant and remove sealant from lube passages before assembly.
- D. Install bushings per 20-50-03 using wet BMS 5-95 sealant.
- E. Machine bores of bushings to dimension shown (Fig. 601).
- F. Fillet seal around flanges of bushings using BMS 5-95 sealant.

2. Bearing Replacement

- A. Remove the bearings (160, 165, 175, IPL Fig. 2; 465, 470, 475, IPL Fig. 7).
- B. Check the holes for the bearings (175, IPL Fig. 2; 475, IPL Fig. 7) for damage or corrosion. If necessary, repair the hole as specified in paragraph 3.
- C. Install the bearings (160, 165, 175, IPL Fig. 2; 465, 470, 475, IPL Fig. 7) per 20-50-03.
- D. Machine the bores for the bearings (175; IPL Fig. 2; 475, IPL Fig. 7) within the repair limit as shown in Fig. 601.

3. Repair

- A. Repair the hole for the bushing (170, IPL Fig. 2; 480, IPL Fig. 7) and bearing (175, IPL Fig. 2; 475, IPL Fig. 7).
 - (1) Machine the fitting assembly (25, 30, IPL Fig. 2; 450, 455, IPL Fig. 7) as required to remove damage or corrosion, within the repair limit as shown in Fig. 601.
 - (2) Do a magnetic particle check as specified by SOPM 20-20-01.

57-53-31

REPAIR 5-1

01.1

Page 601

Mar 01/00

- (3) Refinish as specified by paragraph 4.A.
- (4) Fabricate oversize bushing(s) per Fig. 602 and 603.

57-53-31

REPAIR 5-1

01.1

Page 602

Mar 01/00

4. Refinish

- A. Fitting-half (135, 140, 145, 150, IPL Fig. 2; 565, 570, 575, 580, IPL Fig. 7) -- Chromic acid anodize and apply one coat BMS 10-11, type 1 primer (F-18.13) all over, except omit primer in bushing and bearing holes. Material: Aluminum alloy.
- B. Fitting assembly (25, 30, IPL Fig. 2; 450, 455, IPL Fig. 7) -- Apply BMS 10-60, BAC707 gray gloss enamel (SRF-14.9813) all over except omit enamel from bushing holes. Material: Aluminum alloy.

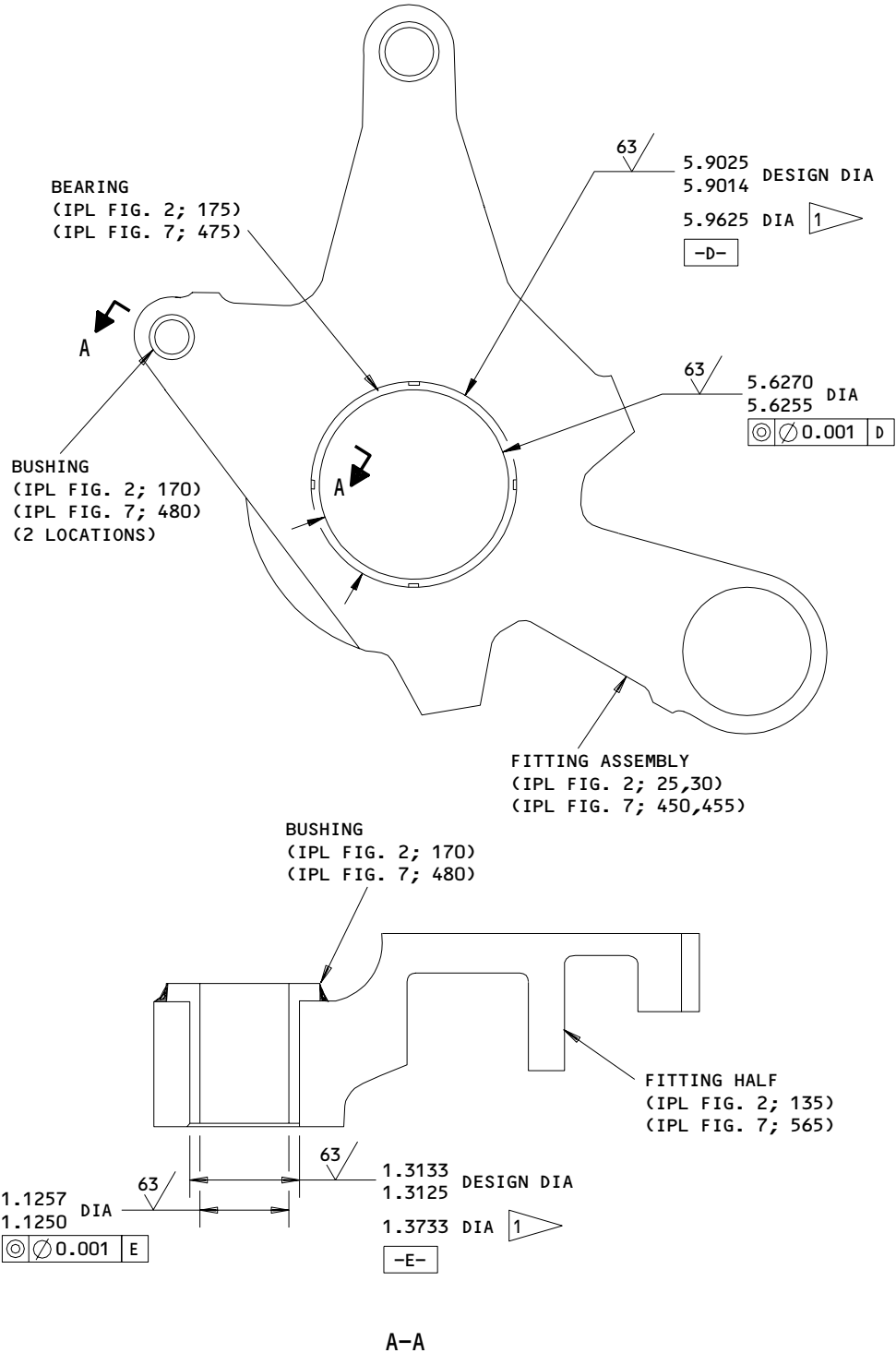
57-53-31

REPAIR 5-1

01.1

Page 603

Mar 01/00



1 REPAIR LIMIT

ALL DIMENSIONS ARE IN INCHES

113T1231-1,-2,-7,-8,-9,-10
 113T1253-1,-2

Fitting Assembly - Bushing and Bearing Replacement
 Figure 601

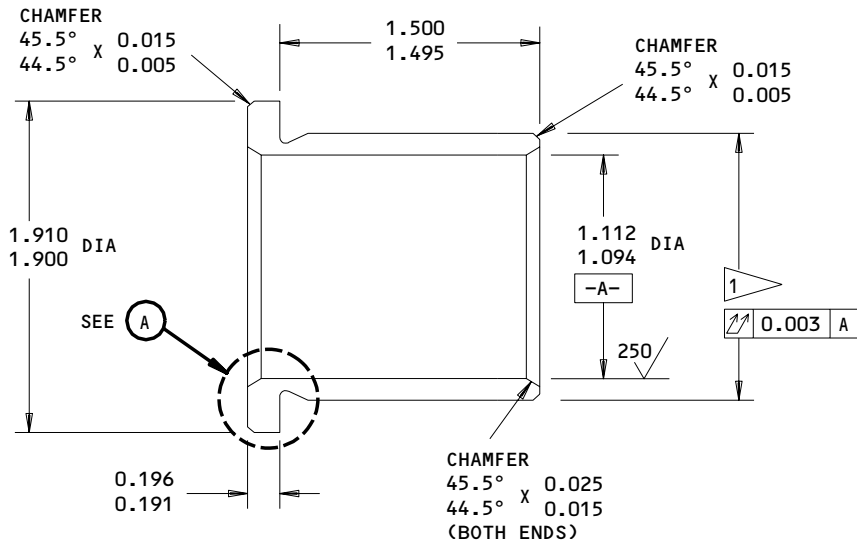
57-53-31

REPAIR 5-1

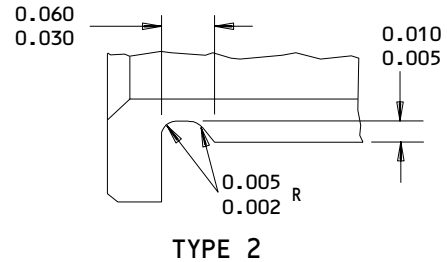
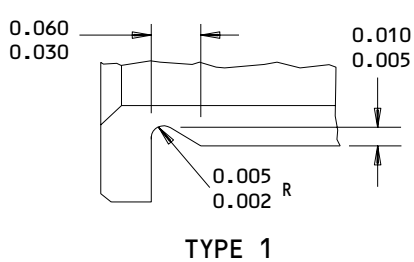
Page 604

Mar 01/00

01.1



OVERSIZE REPLACEMENT FOR BUSHINGS
 (IPL FIG. 2; 170)
 (IPL FIG. 7; 480)



UNDERCUT TYPE 1 OR TYPE 2 OPTIONAL



1 FINAL BUSHING OUTSIDE DIAMETER EQUALS REPAIR DIAMETER OF FITTING PLUS 0.0008-0.0024 INTERFERENCE

63 ALL MACHINED SURFACES UNLESS SHOWN DIFFERENTLY

MATERIAL: 15-5PH CRES, 180-200 KSI

FINISH: CADMIUM PLATE AS SHOWN IN SOPM 20-42-05, TYPE 2, CLASS 2. PLATING IN BORE OPTIONAL

DIMENSIONS APPLY AFTER PLATING

ALL DIMENSIONS ARE IN INCHES

Oversize Bushing Details
 Figure 602

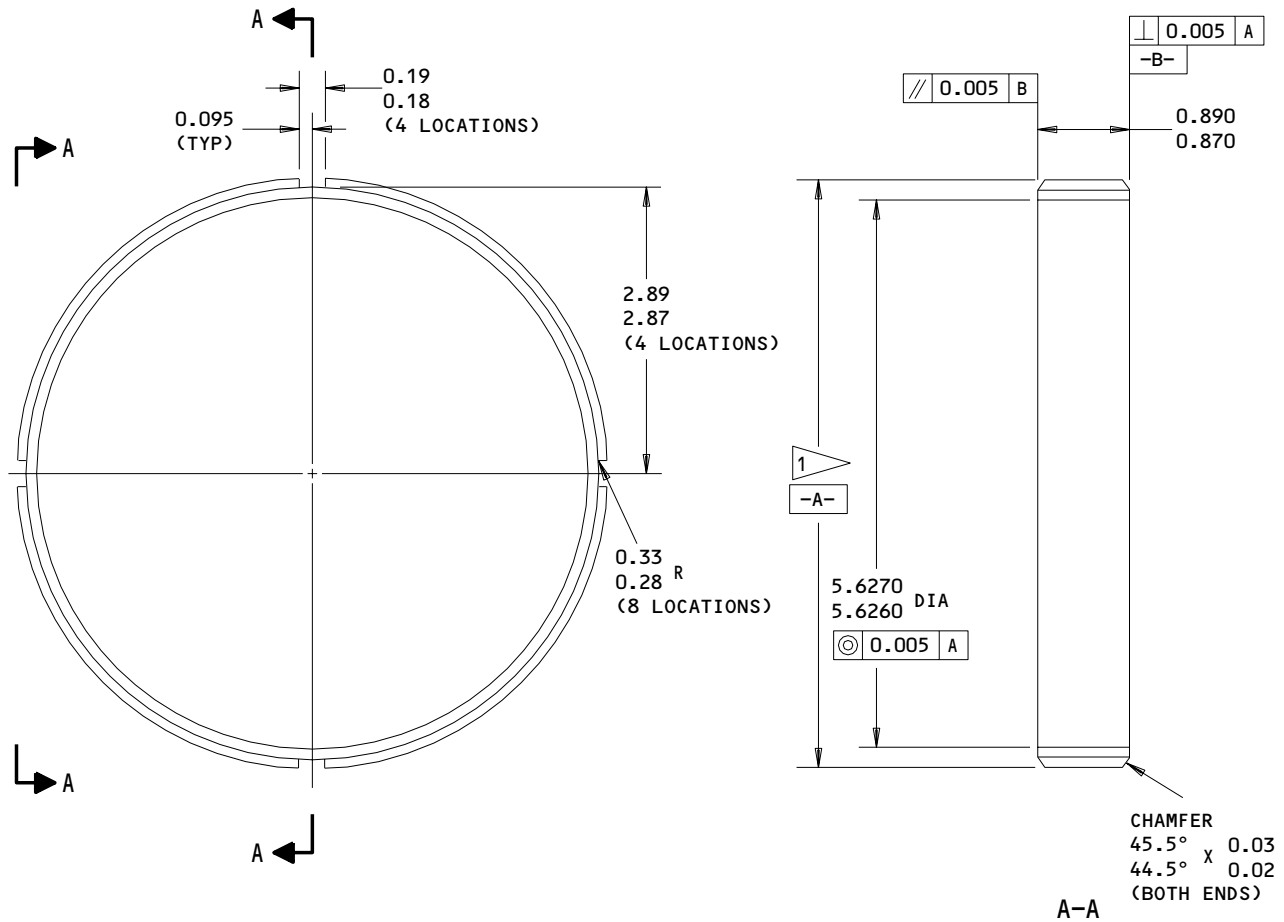
57-53-31

REPAIR 5-1

01.1

Page 605

Mar 01/00



**OVERSIZE REPLACEMENT FOR BEARING
 (IPL FIG. 2; 175)
 (IPL FIG. 7; 475)**

1 FINAL OUTSIDE DIAMETER EQUALS REPAIR DIAMETER OF FITTING PLUS 0.0025-0.0046 INTERFERENCE

63/ ALL MACHINED SURFACES UNLESS SHOWN DIFFERENTLY

CHECK: MAGNETIC PARTICLE AS SHOWN IN SOPM 20-20-01 AFTER MACHINING

MATERIAL: 15-5PH CRES TUBE, 180-200 KSI

FINISH: CADMIUM PLATE (0.0003 MIN. THICKNESS) AS SHOWN IN SOPM 20-42-05 TYPE 2, CLASS 2

DIMENSIONS APPLY AFTER PLATING

ALL DIMENSIONS ARE IN INCHES

Oversize Bearing Details
 Figure 603

57-53-31

REPAIR 5-1

Page 606

Mar 01/00

01.1



LINK ASSEMBLY – REPAIR 6-1

113T1234-1, -3

NOTE: Refer to REPAIR-GEN for list of applicable standard practices.

1. Bushing Replacement

- A. Remove the bushings (20, IPL Fig. 2; 40, IPL Fig. 7).
- B. Check the hole for the bushing for damage or corrosion. If necessary, repair the hole as specified by paragraph 2.
- C. Install the bushings (20, IPL Fig. 2; 40 IPL Fig. 7) as specified by SOPM 20-50-03, except use BMS 5-95 sealant. sealant.
- D. Machine the bores for the bushings (20, IPL Fig. 2; 40, IPL Fig. 7) within the repair limit, as specified by Fig. 601.
- E. Fillet seal around the flanges of the bushings with wet BMS 5-95 sealant.

2. Repair

- A. Repair the holes for the bushings (20, IPL Fig. 2; 40, IPL Fig. 7).
 - (1) Machine the link (12, 15, IPL Fig. 2; 45, 50, IPL Fig. 7), as required to remove damage or corrosion, within the repair limit as shown by Fig. 601.
 - (2) Do a penetrant check as specified by SOPM 20-20-02.
 - (3) Refinish as specified by paragraph 3.A.
- B. Fabricate oversize bushing(s) as specified by Fig. 602.

57-53-31

REPAIR 6-1

01.1

Page 601

Mar 01/00

- C. Install the oversize bushings as specified by the bushing replacement procedure.

3. Refinish

- A. Link (12, 15, IPL Fig. 2; 45, 50, IPL Fig. 7) -- Chromic acid anodize and apply one coat BMS 10-11, type 1 primer (F-18.13) all over, except omit primer from bushing holes. Material: Aluminum alloy.
- B. Side link assembly (8, 10, IPL Fig. 2; 30, 35, IPL Fig. 7) -- Apply BMS 10-60, BAC707 gray gloss enamel (SRF-14.9813) to exterior surface, except omit enamel from bushings. Material: Aluminum alloy.

57-53-31

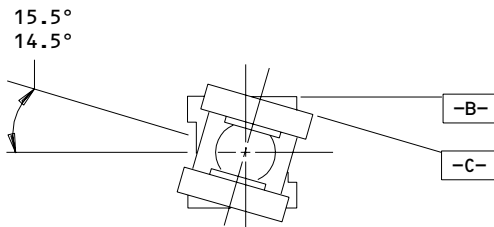
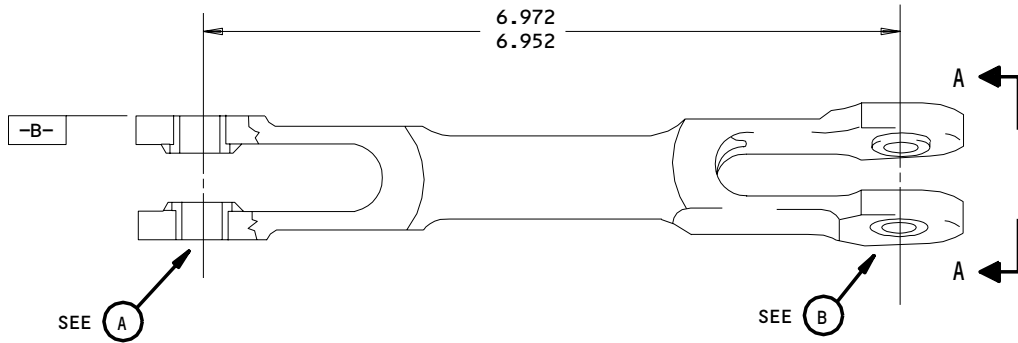
REPAIR 6-1

01.1

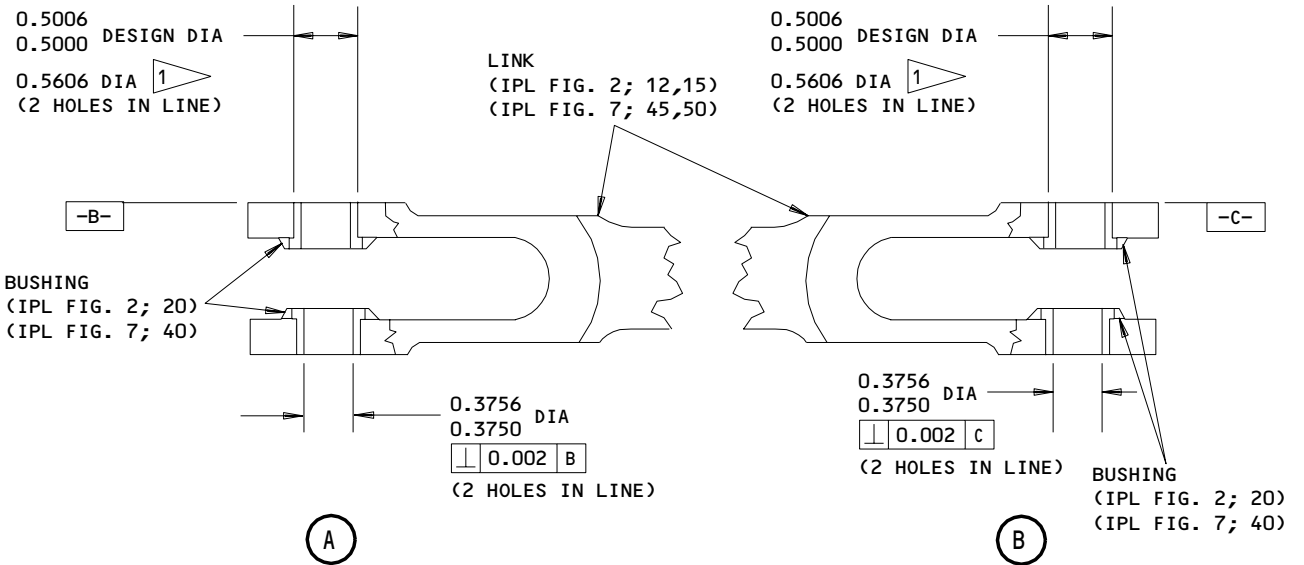
Page 602

Mar 01/00

BOEING
 COMPONENT
 MAINTENANCE MANUAL



A-A



REFINISH
SEE 3

(1) REPAIR LIMIT

REPAIR

63/ALL MACHINES SURFACES

MATERIAL: ALUMINUM ALLOY

ALL DIMENSIONS ARE IN INCHES

113T1234-1,-3
 Link Assembly Repair
 Figure 601

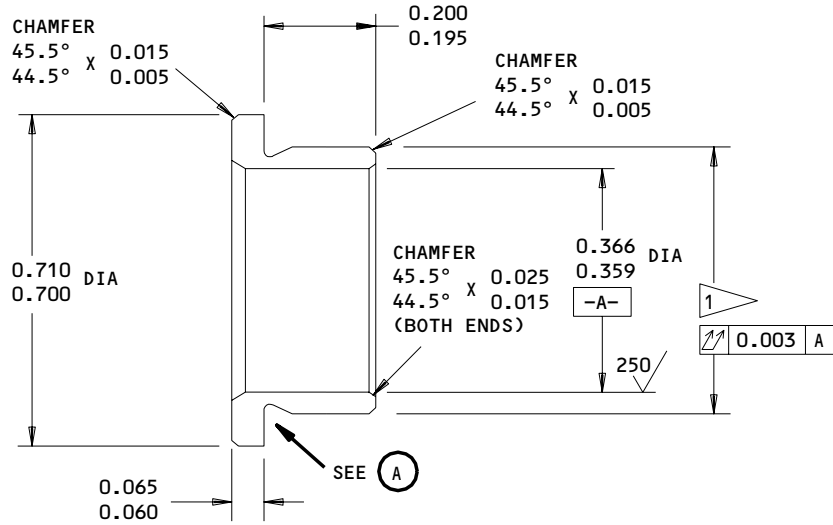
57-53-31

REPAIR 6-1

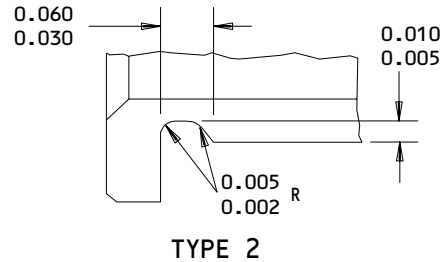
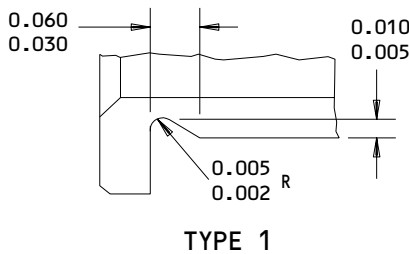
01.1

Page 603

Mar 01/00



**OVERSIZE REPLACEMENT FOR BUSHINGS
 (IPL FIG. 2; 20)
 (IPL FIG. 7; 40)**



UNDERCUT TYPE 1 OR TYPE 2 OPTIONAL



1 FINAL BUSHING OUTSIDE DIAMETER EQUALS REPAIR DIAMETER OF FITTING PLUS 0.0004-0.0016 INTERFERENCE

63 ALL MACHINED SURFACES UNLESS SHOWN DIFFERENTLY

MATERIAL: 15-5PH CRES, 180-200 KSI
 FINISH: CADMIUM PLATE AS SHOWN IN SOPM 20-42-05, TYPE 2, CLASS 2.
 PLATING IN BORE OPTIONAL
 DIMENSIONS APPLY AFTER PLATING
 ALL DIMENSIONS ARE IN INCHES

**Oversize Bushing Details
 Figure 602**

57-53-31

REPAIR 6-1

01.1

Page 604

Mar 01/00


BOEING
 COMPONENT
 MAINTENANCE MANUAL
MISCELLANEOUS PARTS - REPAIR 7-1

NOTE: Repair of these parts consists of restoration of original finish.

IPL FIG. & ITEM	MATERIAL	FINISH
<u>Fig. 1</u>		
Washer (25,30,628), Pin (45)	15-5PH CRES 180-200 ksi	Passivate (F-17.25).
Nut (40)	15-5PH CRES 180-200 ksi	Apply BMS 3-8 dry film lubricant per 20-50-08, type VIII on threads and interior surfaces.
Pin (50)	15-5PH CRES 180-200 ksi	Chromium plate, 0.003-0.015 inch single thickness, (F-15.03) surface indicated in Fig. 602 and passivate (F-17.25) elsewhere. Grind to dimensions shown (Fig. 602).
Rib assembly - outboard support (105B,110B)	Al alloy	Apply Alodine 1200 or 1200S to scratches and other bared surfaces and apply one coat BMS 10-11, type 1 yellow primer (SRF-14.995) all over except omit primer from bushings and lube holes. Then apply BMS 10-60, BAC707 gray gloss enamel (SRF-14.9813) all over primed surfaces except apply BMS 10-86, type 1, gray per 20-44-01, type 27 (SRF-14.962) on top surface of plate (554,556). Manually apply colored chemical coating to all final bores except 0.5- and 0.375-inch diameters.

Refinish Details
Figure 601 (Sheet 1)

57-53-31

REPAIR 7-1

01.1

Page 601

Jul 01/05

IPL FIG. & ITEM	MATERIAL	FINISH
Angle (295,300), Stop fitting (552), Bearing retainer (650,651,656,657, 658A,660A), Bearing retainer assy (652A,653A, 654B,655B), Bracket (270,272), Zee (345A,346)	Al alloy	Chromic acid anodize and apply one coat BMS 10-11, type 1 primer (F-18.13) all over.
Skin (327), Strap (328), Plate (554, 556), Web (562, 586A,596), Clip (580,582), Spacer (592), Bracket (224A,255,257,270)	Al alloy	Chemical treat (colored film). Apply one coat BMS 10-11, type 1 primer (F-18.06) all over.
Spacer (542,548)	301 CRES	Cadmium plate, type 2, class 2 (F-15.06) all over.
Nut (626)	15-5PH CRES 180-200 ksi	Cadmium plate (0.0002 to 0.0004 inch) (F-15.05) all over.
Reaction ring (662,664)	4330M steel 220-240 ksi	Cadmium-titanium alloy plate (0.0005 to 0.0007 inch), bake 12 hours minimum at 375 ±25°F and apply chromate post-plate treatment (F-15.01) all over. Apply one coat BMS 10-11, type 1 primer (F-20.02) all over except omit primer from splines and holes.

 Refinish Details
 Figure 601 (Sheet 2)

57-53-31

REPAIR 7-1

01.1

Page 602

Jul 01/05


BOEING
 COMPONENT
 MAINTENANCE MANUAL

IPL FIG. & ITEM	MATERIAL	FINISH
Shim (666)	301 CRES	Cadmium plate type 2, class 2 and apply one coat BMS 10-11, type 1 primer (F-16.01) all over.
Seal (668)	Carbon steel	Cadmium plate steel insert, class 2 type III.
<u>Fig. 2</u>		
Angle (85,90)	Al alloy	Chromic acid anodize and apply one coat BMS 10-11, type 1 primer (F-18.13) all over.
<u>Fig. 3</u>		
Washer (9,12)	15-5PH CRES 180-200 ksi	Passivate (F-17.25).
Nut (18)	15-5PH CRES 180-200 ksi	Apply BMS 3-8 dry film lubricant per 20-50-08, type VIII on threads and interior surfaces.
Pin (24)	15-5PH CRES 180-200 ksi	Chromium plate, 0.003-0.015 inch single thickness, (F-15.03) surface indicated in Fig. 602 and passivate (F-17.25) elsewhere. Grind to dimensions shown (Fig. 602).

Refinish Details
 Figure 601 (Sheet 3)

57-53-31

REPAIR 7-1

01.1

Page 603

Jul 01/05

IPL FIG. & ITEM	MATERIAL	FINISH
Rib assembly - outboard support (57,60B)	Al alloy	Apply Alodine 1200 or 1200S to scratches and other bared surfaces and apply one coat BMS 10-11, type 1 yellow primer (SRF-14.995) all over except omit primer from bushings and lube holes. Then apply BMS 10-60, BAC707 gray gloss enamel (SRF-14.9813) all over primed surfaces except apply BMS 10-86, type 1, gray per 20-44-01, type 27 (SRF-14.9625) on top surface of plate (554,556). Manually apply colored chemical coating to all final bores except 0.5 and 0.375 inch diameters.
Angle (243,246), Stop fitting (498A), Bracket (213), Zee (315, 318)	Al alloy	Chromic acid anodize and apply one coat BMS 10-11, type 1 primer (F-18.13) all over.
Skin (269), Strap (270), Plate (501, 504), Web (528,573, 582), Clip (546, 549), Spacer (576), Bracket (147,180, 183,210)	Al alloy	Chemical treat (colored film). Apply one coat BMS 10-11, type 1 primer (F-18.06) all over.
Spacer (483,492)	301 CRES	Cadmium plate, type 2, class 2 (F-15.06) all over.

Refinish Details
 Figure 601 (Sheet 4)

57-53-31

REPAIR 7-1

01.1

Page 604

Jul 01/05


BOEING
 COMPONENT
 MAINTENANCE MANUAL

IPL FIG. & ITEM	MATERIAL	FINISH
<u>Fig. 4</u>		
Nut (10)	15-5PH CRES 180-200 ksi	Cadmium plate (0.0002 to 0.0004 inch) (F-15.05) all over.
Washer (15)	15-5PH CRES 180-200 ksi	Passivate (F-17.25).
Bearing Retainer (60,65,80,85)	Al alloy	Chromic acid anodize and apply one coat BMS 10-11, type 1 primer all over.
Reaction ring (160,165)	4330M steel 220-240 ksi	Cadmium-titanium alloy plate (0.0005 to 0.0007 inch), bake 12 hours minimum at 375 ±25°F and apply chromate post-plate treatment (F-15.01) all over. Apply one coat BMS 10-11, type 1 primer (F-20-02) all over except omit primer from splines and holes.
Shim (170)	301 CRES	Cadmium plate type 2, class 2 and apply one coat BMS 10-11, type 1 primer (F-16.01) all over.
Seal (175)	Carbon steel	Cadmium plate steel insert, class 2 type III.

Refinish Details
 Figure 601 (Sheet 5)

57-53-31

REPAIR 7-1

01.1

Page 605

Jul 01/05

IPL FIG. & ITEM	MATERIAL	FINISH
<u>Fig. 5</u>		
Link (65)	Al alloy	F-17.04 all over, plus F-20.02 and F-14.9813 exterior surface, plus F-19.09 interior surface on assembly.
Filler (98,247)	Al alloy	F-18.01
Retainer (365,370)	Al alloy	F-14.9813
Retainer (390,395)	Al alloy	F-18.13
Retainer (140,145)	15-15PH 180-200 ksi	F-15.06
Fitting (180,180A, 185,185A,190,190A, 195,195A)	4330M 220-240 ksi	F-15.32 all areas. F-20.02, F-14.995 and F-14.9813 all areas except 4.500 bore, 2.9860 bore and spline.
Fitting (180B,180C, 180D,180E,185B, 185C,185D,185E, 190B,190C,190D, 190E,195B,195C, 195D,195E)	4330M 220-240 ksi	F-15.32 all over. F-20.02 except F-19.45 on 4.500 bore and spline.
Cam (435,435A,440, 440A,495,500)	4340M 275-300 ksi	F-15.01, plus F-20.02, plus F-14.9813, except no primer in holes.

Refinish Details
 Figure 601 (Sheet 6)

57-53-31

REPAIR 7-1

01.1

Page 606

Jul 01/05


BOEING
 COMPONENT
 MAINTENANCE MANUAL

IPL FIG. & ITEM	MATERIAL	FINISH
Retainer (220)	15-5PH 180-200 ksi	F-14.01, plus F-19.40, except no primer or enamel in holes.
Shim (320,320B)	301 CRES	F-16.01, plus F-15.06, plus F-20.02.
Nut (325)	15-5PH 180-200 ksi	F-15.02
Washer (335)	15-5PH 180-200 ksi	F-17.25 all over.
Bushing (340)	15-5PH 180-200 ksi	F-15.06, min cadmium plate thickness 0.0003 in.
Fitting (485,490)	4340M 275-300 ksi	F-15.01, plus F-20.02, plus F-14.9813, except no primer in holes.
Bellcrank (255, 255A,255B)	Al alloy	F-18.13 all over, no primer in holes.
Bellcrank (255C)	Al alloy	F-18.13 plus F-14.9813. Omit primer and topcoat in holes.
Bellcrank (255D)	Al alloy	F-17.04 plus F-20.02, except no primer in holes.
Shaft (260)	Al alloy	F-17.04 plus F-20.02 all over except large diameter surfaces of outer cylinder. F-14.9813 exterior except on large diameter surfaces of outer cylinder.

Refinish Details
Figure 601 (Sheet 7)

57-53-31

REPAIR 7-1

01.1

Page 607

Jul 01/05

IPL FIG. & ITEM	MATERIAL	FINISH
Ring (310,315)	4330M 220-240 ksi	F-15.32 plus F-20.02, except F-19.45 on spline and 5.75 bore and holes.
Ring (310B,315B)	15-5PH 180-200 ksi	F-16.11 to spline teeth and 0.44 holes. F-16.06 plus F-20.02 elsewhere.
<u>Fig. 6</u>		
Washer (20,30,225)	15-5PH 180-200 ksi	F-17.25 all over.
Nut (25)	15-5PH 180-200 ksi	BMS 3-8 Dryfilm per BAC5811.
Pin (35)	TI-6AL-4V	F-25.01
Pin (40)	15-5PH 180-200 ksi	F-15.03 to areas indicated by flagnote 1 in Fig. 602. F-17.25 elsewhere.
Nut (220)	15-5PH 180-200 ksi	F-15.05
Ring (240,245)	15-5PH 180-200 ksi	F-16.06 plus F-20.02, except on surfaces of spline teeth and bores of 0.44 inch holes.
Bushing (255)	15-5PH 180-200 ksi	F-15.06 all over.

Refinish Details
 Figure 601 (Sheet 8)

57-53-31

REPAIR 7-1

01.1

Page 608

Jul 01/05


BOEING
 COMPONENT
 MAINTENANCE MANUAL

IPL FIG. & ITEM	MATERIAL	FINISH
Shim (325)	301 CRES	F-15.06 plus F-20.02.
Shim (360)	301 CRES	F-15.06 all over.
Clip (450,455)	Al alloy	F-18.13, except omit primer in holes.
Bracket (500,505, 535,565,610,640)	Al alloy	F-18.06
Retainer (145,150, 185,190,210,215) Bracket (530,580, 635,660) Zee (715,720) Fitting (820,930, 935,940,945)	Al alloy	F-18.13
Fitting (820B)	Al alloy	F-17.04, F-20.02
<u>Fig. 7</u>		
Fitting (125,130)	4340M 275-300 ksi	F-15.01 plus F-20.02 plus SRF-14.9813, except no primer on serrations or in holes.
Cam (135,140)	4340M 275-300 ksi	F-15.01 plus F-20.02 plus SRF-14.9813, except no primer on serrations or in holes.
Retainer (180)	15-5PH 180-200 ksi	F-16.01 plus F-19.40, except no primer or enamel in holes.

Refinish Details
 Figure 601 (Sheet 9)

57-53-31

REPAIR 7-1

01.1

Page 609

Jul 01/05

IPL FIG. & ITEM	MATERIAL	FINISH
Bellcrank (200)	Al alloy	F-18.13 plus F-14.9813, except no primer or topcoat in holes.
Fitting (245,250)	Al alloy	F-18.13, except no primer in holes.
Shaft (255)	Al alloy	F-17.04 plus F-20.02 all over, except large diameter surfaces of outer cylinder. F-14.9813 exterior except on large diameter surfaces of outer cylinder.
Washer (285)	Al alloy 180-200 ksi	F-17.25
Retainer (290)	Al alloy	F-18.13, except no primer in holes or 5.376 bore.
Retainer (310)	Al alloy	F-18.13 plus F-14.9813 to surfaces indicated by flagnote 1 in Fig. 603, except no primer or paint in holes or 5.376 bore.
Retainer (315) Angle (540,545,550)	Al alloy	F-18.13
Bushing (320,385)	15-5PH 180-200 ksi	F-15.06 min cadmium plate thickness of 0.0003 inch.

Refinish Details
 Figure 601 (Sheet 10)

57-53-31

REPAIR 7-1

01.1

Page 610

Jul 01/05


BOEING
 COMPONENT
 MAINTENANCE MANUAL

IPL FIG. & ITEM	MATERIAL	FINISH
Ring (355,360)	15-5PH 180-200 ksi	F-16.06 plus F-20.02
Shim (365)	301 CRES	F-15.06 plus F-20.02
Retainer (395,400)	15-5PH 180-200 ksi	F-15.06
Fitting (430,430A, 435,435A,440,440A, 445,445A)	4330M 220-240 ksi	F-15.32 plus F-20.02 except F-19.45 on spline and 4.50 bore.
Bushing (475)	15-5PH 180-200 ksi	F-15.06 min cadmium plate thickness of 0.0003 inch.

Refinish Details
 Figure 601 (Sheet 11)

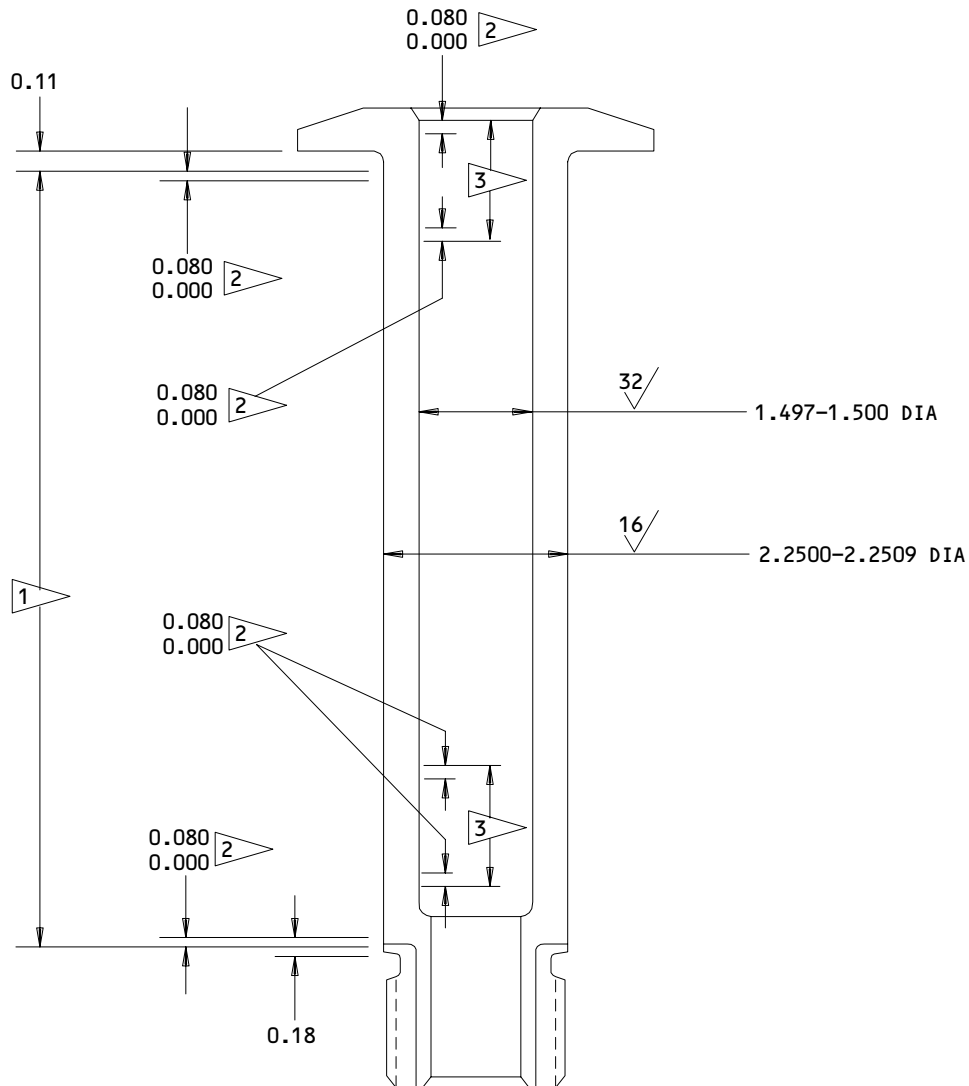
57-53-31

REPAIR 7-1

01.1

Page 611

Jul 01/05



- 1 CHROMIUM PLATE THIS SURFACE AND GRIND TO DIMENSION SHOWN
- 2 CHROMIUM PLATE RUNOUT IN THIS AREA
- 3 CHROME PLATE THIS AREA IF WORN BEYOND LIMITS SHOWN IN FIGURE 801 OR 803 AND GRIND TO INDICATED DIA

113T1263-10
 Pin Refinish
 Figure 602

ALL DIMENSIONS ARE IN INCHES

57-53-31

REPAIR 7-1

01.101

Page 612

Jul 01/05

CRANK ASSEMBLY – REPAIR 8-1

113T1252-1

1. Bushing Replacement (80, 85, IPL Fig. 5)

- A. Remove bushings.
- B. Check holes for bushings for damage or corrosion and repair, if necessary, per 2.
- C. Install bushing per 20-50-03, except install with wet sealant BMS 5-95.
- D. Machine bushings per Fig. 601.
- E. Fillet seal bushing flanges with sealant BMS 5-95.

2. Repair

- A. Repair hole for bushings (80, 85, IPL Fig. 5).
 - (1) Machine fitting (90, IPL Fig. 5), as required to remove discrepancies, per Fig. 601.
 - (2) Penetrant check per 20-20-02.
 - (3) Shot peen bore(s) per 20-10-03 and Fig. 601.
 - (4) Refinish per 3.A.
 - (5) Fabricate oversize bushing(s) per Fig. 602 and 603.

3. Refinish

- A. Fitting (90) -- Chromic acid anodize (type 1) and apply one coat of primer, BMS 10-11, type 1 (F-18.13) except no primer in bushing holes. Material: Aluminum alloy.
- B. Crank Assembly (75) -- Apply enamel, BMS 10-60, BAC707 gray gloss (SRF-14.9813) all over except bushings.

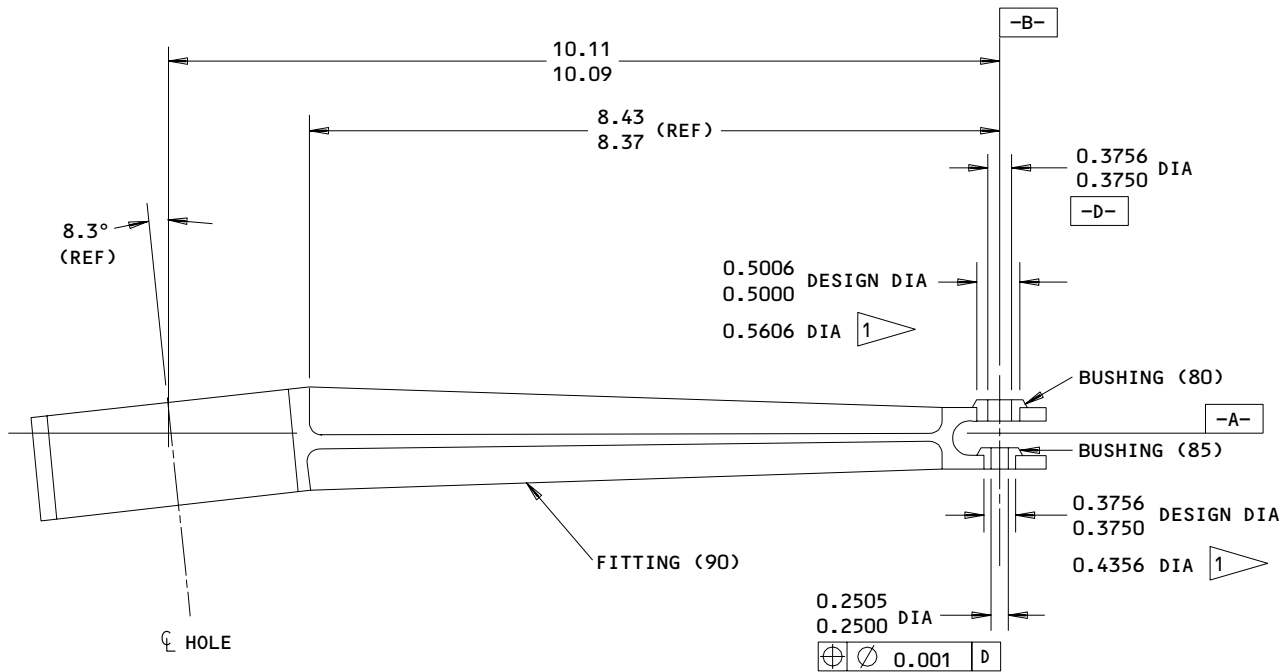
57-53-31

REPAIR 8-1

01.1

Page 601

Apr 01/89



REFINISH
 SEE 3.

1 REPAIR LIMIT

REPAIR

63/ ALL MACHINED SURFACES

BREAK EDGES: 0.02-0.04

SHOT PEEN:
 0.0230-0.0550 SHOT SIZE
 0.006A INTENSITY
 2.0 COVERAGE

ITEM NUMBERS REFER TO IPL FIG. 5.

ALL DIMENSIONS ARE IN INCHES

Crank Assembly Repair
 Figure 601

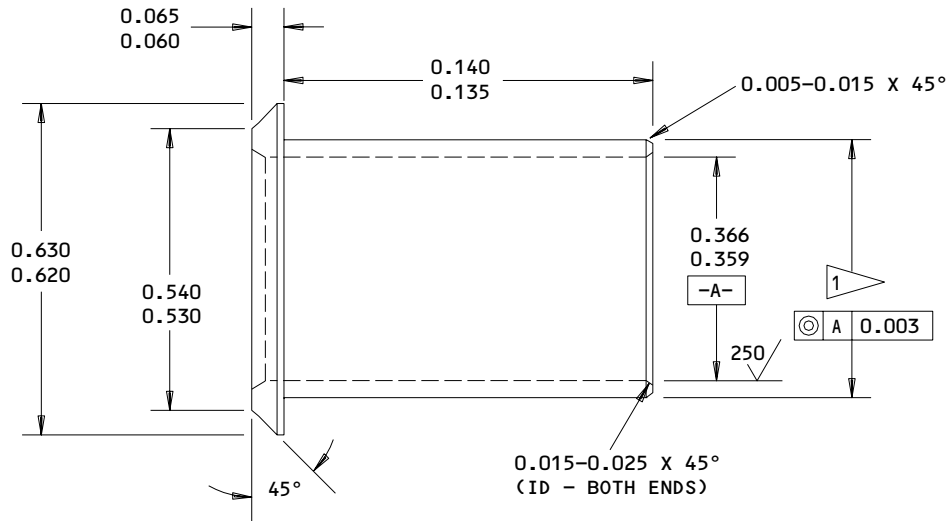
57-53-31

REPAIR 8-1

01.1

Page 602

Mar 01/00



1 FINAL BUSHING OUTSIDE DIA EQUALS REPAIR DIA OF FITTING PLUS 0.0004-0.0016 INTERFERENCE

ALL DIMENSIONS ARE IN INCHES

DIMENSIONS APPLY AFTER PLATING

63/ ALL MACHINED SURFACES, EXCEPT AS NOTED
 ANGULAR TOLERANCE, ± 0.50 DEG

MATERIAL: AL-NI-BR PER AMS 4640

FINISH: CADMIUM PLATE PER 20-42-05, TYPE 2, CLASS 2. PLATING IN BORE OPTIONAL

BUSHING REPLACEMENT FOR BUSHING (80, IPL FIG. 5)
Oversize Bushing Details
Figure 602

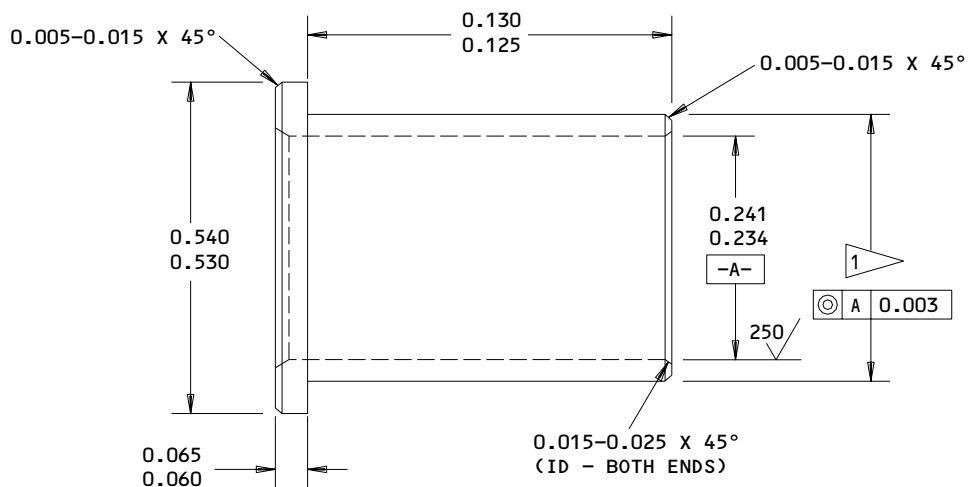
57-53-31

REPAIR 8-1

Page 603

Apr 01/89

01.1



1 FINAL BUSHING OUTSIDE DIA EQUALS REPAIR DIA OF FITTING PLUS 0.0003-0.0015 INTERFERENCE

63/ ALL MACHINED SURFACES, EXCEPT AS NOTED
 ANGULAR TOLERANCE, ±0.50 DEG

ALL DIMENSIONS ARE IN INCHES

MATERIAL: 15-5PH CRES, 180-200 KSI

DIMENSIONS APPLY AFTER PLATING

FINISH: CADMIUM PLATE PER 20-42-05, TYPE 2, CLASS 2. PLATING IN BORE OPTIONAL

BUSHING REPLACEMENT FOR BUSHING (85, IPL FIG. 5)
Oversize Bushing Details
Figure 603

57-53-31

REPAIR 8-1

01.1

Page 604

Apr 01/89

SHAFT - REPAIR 9-1

113T1228-1, -2

1. Shaft Repair (674, 676, IPL Fig. 1; 20, 25, IPL Fig. 4; 230, 235, IPL Fig. 6)

NOTE: This section is applicable to shafts in which the original finish has worn through to base metal at wear surfaces shown in Fig. 801 or 803. If original finish has not worn through to base metal restore finish per 2.

- A. Magnetic particle check per 20-20-01.
- B. Check shaft for wear and verify limits shown in Fig. 801 or 803 are not exceeded.
- C. Shot peen per 20-10-03 and Fig. 601 areas to be plated.
- D. Chrome plate (0.003-0.015 inch single thickness) per 20-42-03 (F-15.03).
- E. Magnetic particle check per 20-20-01.
- F. Grind chrome plate per 20-10-04 to dimensions shown in Fig. 601.
- G. Refinish remaining areas, if necessary, per 2.

2. Refinish

NOTE: This section is applicable to shafts in which the original finish has not worn through to base metal.

- A. Shaft (674, 676, IPL Fig. 1; 20, 25, IPL Fig. 4; 230, 235, IPL Fig. 6) -- Cadmium-titanium plate (0.0005 to 0.0007 inch), bake 12 hours minimum at 375 ±25°F and apply chromate postplate treatment (F-15.01) all over exterior surfaces. Apply one coat BMS 10-11, type 1 primer (F-20.02) all over except omit primer from splines, threads and surfaces shown (Fig. 601). Apply BMS 10-11, type 1 wipe-on primer (F-19.45) to exterior threads and splines. Clean and coat the interior with MIL-C-11796, class 1 corrosion preventive compound (F-19.03).

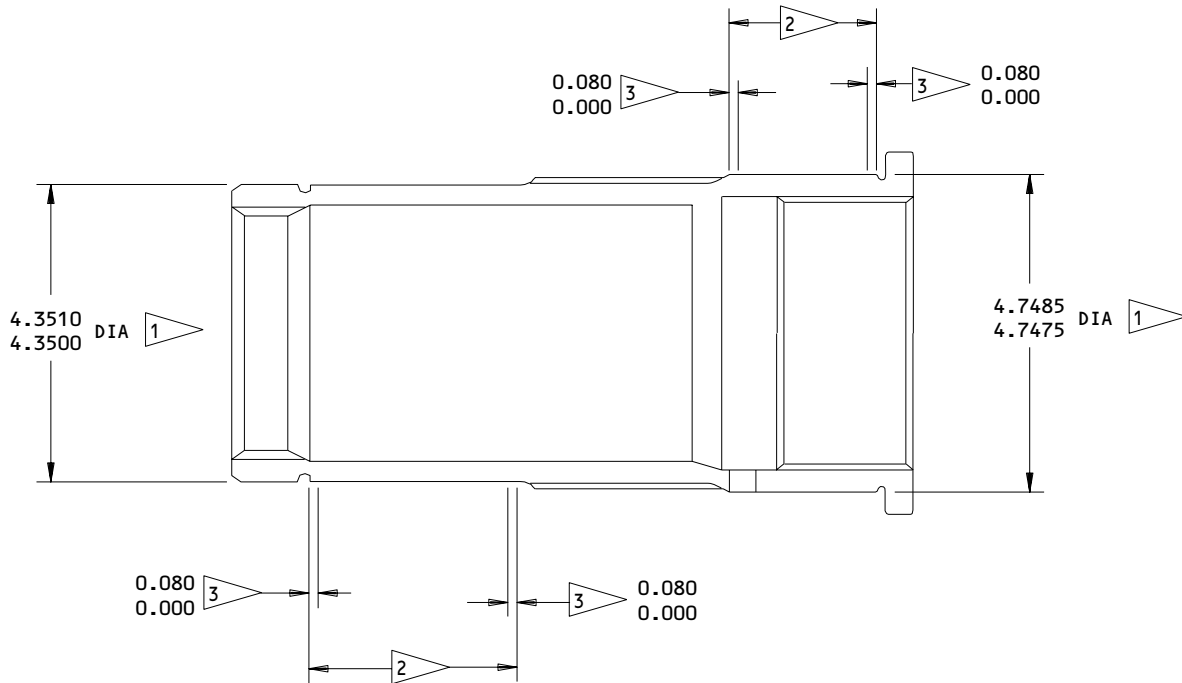
57-53-31

REPAIR 9-1

01.1

Page 601

Mar 01/00



113T1228-1 SHOWN
 113T1228-2 OPPOSITE

REFINISH
 SEE 2

- 1 OMIT PRIMER FROM THIS SURFACE
- 2 CHROME PLATE (0.003-0.015 SINGLE THICKNESS) AS SHOWN IN SOPM 20-42-05. GRIND AS SHOWN IN SOPM 20-10-04 TO INDICATED DIAMETER
- 3 CHROME PLATE RUNOUT

REPAIR

- 32/ AFTER GRINDING
- SHOT PEEN: 0.0170-0.0460 SHOT SIZE
 0.016 A INTENSITY
 2.0 COVERAGE
- MATERIAL: 4330M STEEL (220-240 KSI)
- ALL DIMENSIONS ARE IN INCHES

113T1228-1,-2
 Shaft Repair
 Figure 601

57-53-31

REPAIR 9-1
 Page 602
 Mar 01/00

01.1

SHAFT - REPAIR 10-1

113T1210-1, -2

1. Repair Shaft (445, 450, IPL Fig. 5; 585, 590, IPL Fig. 7)

NOTE: This section is applicable to shafts in which the original finish has worn through to base metal at wear surfaces shown in Fig. 802. If original finish has not worn through to base metal, restore finish per 2.

- A. Magnetic particle check per 20-20-01.
- B. Check shaft for wear and verify limits shown in Fig. 802 are not exceeded.
- C. Shot peen per 20-10-03 and Fig. 601 areas to be plated.
- D. Chrome plate (0.003-0.015 inch single thickness) per 20-42-03 (F-15.03).
- E. Magnetic particle check per 20-20-01.
- F. Grind chrome plate per 20-10-04 to indicated diameter.
- G. Refinish remaining areas, if necessary, per 2.

2. Refinish

NOTE: This section is applicable to shafts in which the original finish has not worn through to base metal.

- A. Shaft (445, 450, IPL Fig. 5; 585, 590, IPL Fig. 7) -- Cadmium-titanium plate (0.0005 to 0.0007 inch), and apply chromate postplate treatment (F-15.32) all over exterior surfaces. Apply one coat BMS 10-11, type 1 primer (F-20.02) all over except omit primer from splines, threads and surfaces shown (Fig. 601). Apply BMS 10-11, type 1 wipe-on primer (F-19.45) to exterior threads and splines. Clean and coat the interior with MIL-C-11796, class 1 corrosion preventive compound (F-19.03).

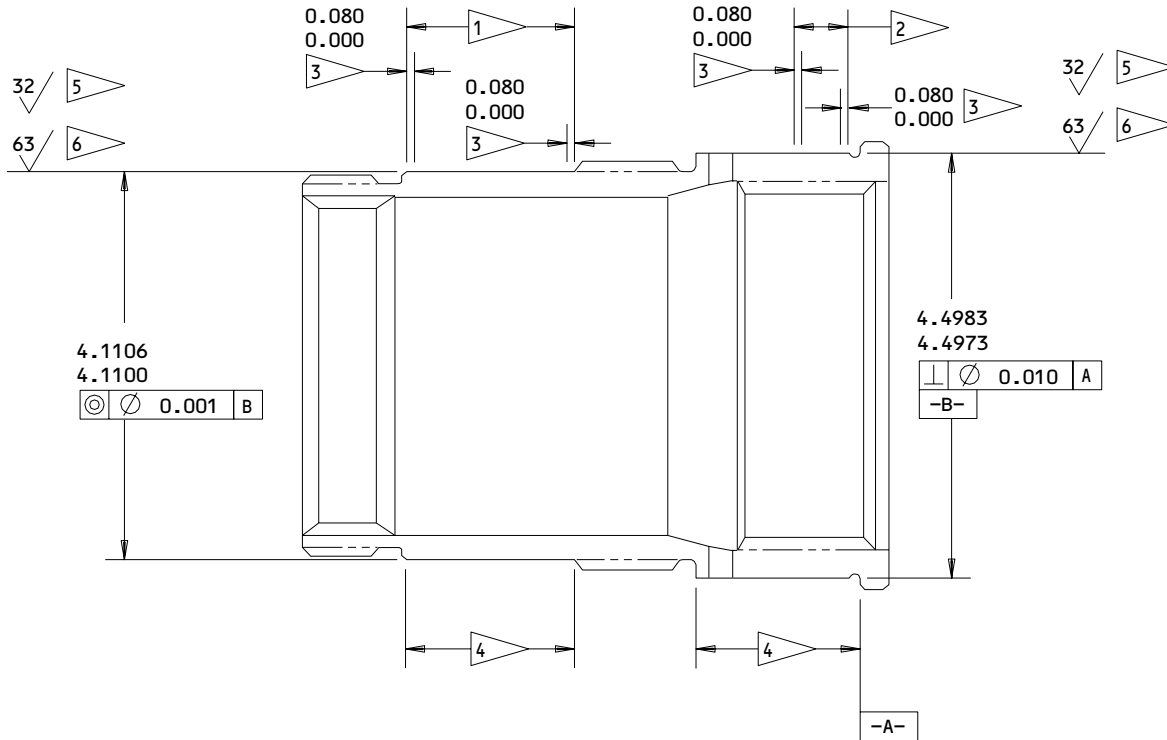
57-53-31

REPAIR 10-1

01.1

Page 601

Mar 01/00



113T1210-1 SHOWN
 113T1210-2 OPPOSITE

REFINISH
 SEE 2.

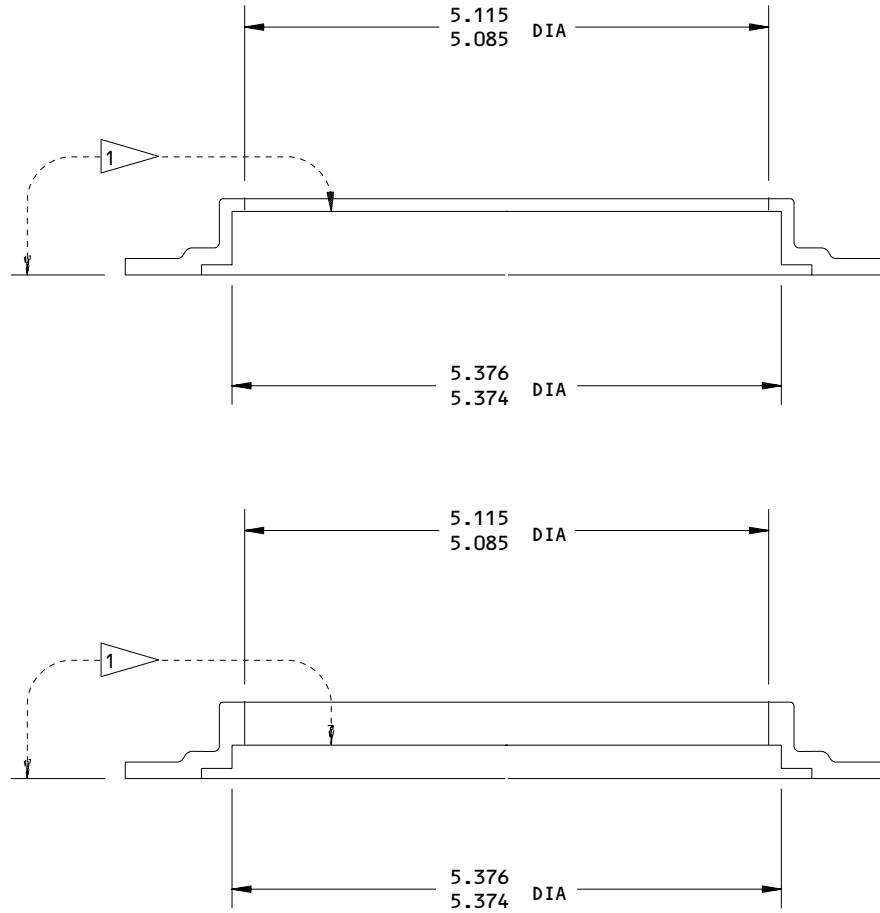
- 1 CHROME PLATE, 0.003-0.015 SINGLE THICKNESS, THIS AREA AND GRIND TO INDICATED DIAMETER
- 2 CHROME PLATE, 0.003-0.015 SINGLE THICKNESS, AREA IN CONTACT WITH BEARING (IPL FIG. 5; 265) AND GRIND TO INDICATED DIAMETER
- 3 CHROME PLATE RUNOUT
- 4 NO PRIMER THIS SURFACE
- 5 FOR CHROME PLATE (REPAIR)
- 6 FOR CADMIUM-TITANIUM PLATE (REFINISH)

REPAIR

SHOT PEEN:
 0.0170-0.0460 SHOT SIZE
 0.016A INTENSITY
 2.0 COVERAGE

MATERIAL: 4330M STEEL 220-240 KSI
 DIMENSIONS APPLY AFTER PLATING
 ALL DIMENSIONS ARE IN INCHES

113T1210-1,-2
 Shaft Repair
 Figure 601



FINISH: F-18.13 ALL OVER EXCEPT NO PRIMER IN HOLES AND 5.376 DIAMETER BORE. MASK FOR BOLT HEADS 0.75 DIAMETER.

1 APPLY F-14.9813 TO INDICATED AREA EXCEPT 113T1783-2

113T1783-2,-8,-9,-10,-12
 Retainer Refinish
 Figure 601

57-53-31

REPAIR 11-1

Page 601

Jul 01/05

01.1

ASSEMBLY1. Materials

NOTE: Equivalent substitutes may be used.

- | A. Compound, Corrosion Preventive -- BMS 3-27, Grade 2 (SOPM 20-60-02)
- | B. Grease -- BMS 3-33 (SOPM 20-60-03)
- C. Lockwire -- MS20995NC40-3
- | D. Primer -- BMS 10-11, Type 1 (SOPM 20-60-02)
- | E. Sealant -- BMS 5-95 (SOPM 20-60-04)

2. Assembly

- A. Use standard industry practices for assembly of this component, and the following additional procedures.
- B. Where shims (522, 558A, 560, 568, 584, 592, 594, 604A, IPL Fig. 1; 456, 507, 510, 525, 555, 576, 579, 594, IPL Fig. 3) are specified on the outboard support rib assembly (105B, 110B, IPL Fig. 1; 57, 60B, IPL Fig. 3), shim gaps to 0.005 inch prior to clamping or machining. Holes in shims may be oversized by a maximum of 0.07 inch larger than the fastener diameter. The maximum shim thickness allowed is 0.06 inch.
- | C. Install all countersink fasteners on the outboard support rib assembly (105B, 110B, IPL Fig. 1; 57, 60B IPL Fig. 3; 330, 335, IPL Fig. 6) with BMS 5-95 sealant (F-19.48).
- | D. Apply faying surface sealant, BMS 5-95, between link halves (60B, 65, IPL Fig. 1; 30, 33, IPL Fig. 3; 95, 100, IPL Fig. 6).
- | E. Coat all surfaces of inner pin (45, IPL Fig. 1; 21, IPL Fig. 3 ; 35, IPL Fig. 6) and outer pin (50, IPL Fig. 1; 24, IPL Fig. 3; 40, IPL Fig. 6) with a light film of BMS 3-33 grease prior to installation and fill cavity between them with BMS 3-33 grease.
- | F. Tighten nuts (35, 40, IPL Fig. 1; 15, 18, IPL Fig. 3; 15, 25, IPL Fig. 6) to 2200-2700 pound-inches.
- | G. Install MS20995NC40-3 lockwire through nut (40, IPL Fig. 1; 18, IPL Fig. 3; 25, IPL Fig. 6) and washer (30, IPL Fig. 1; 12, IPL Fig. 3 ; 20, IPL Fig. 6) per SOPM 20-50-02.

57-53-31

ASSEMBLY

01.1

Page 701

Nov 01/03

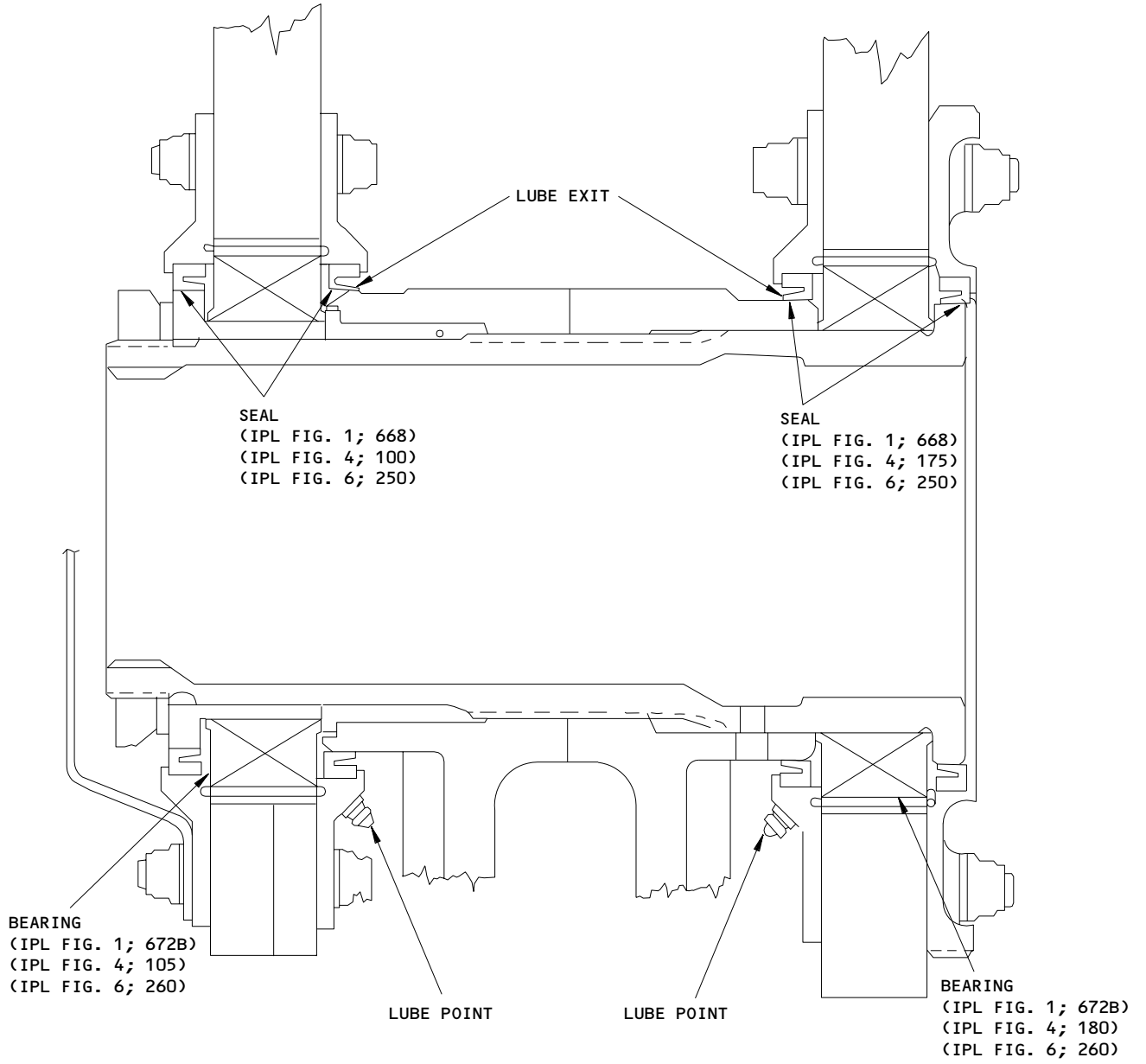
- H. Apply faying surface sealant, BMS 5-95, between arm fittings (692, 696, IPL Fig. 1; 220, 230, IPL Fig. 4; 305, 315, IPL Fig. 6) and arm fittings (694, 698, IPL Fig. 1; 225, 235, IPL Fig. 4; 310, 320, IPL Fig. 6) according to the special sealing method for corrosion protection. Then fillet seal all around using BMS 5-95.
- I. Install bolts (682, IPL Fig. 1; 195, IPL Fig. 4) in fittings (692, 694, 696, 698, IPL Fig. 1; 220, 225, 230, 235, IPL Fig. 4) using BMS 5-95 sealant. Completely coat threads, shanks, and undersides of heads.
- J. Install bearings (672B, IPL Fig. 1; 105, 180, IPL Fig. 4 ; 260, IPL Fig. 6) using BMS 3-33 grease.

CAUTION: SEALS (668, IPL FIG. 1; 100, 175, IPL FIG. 4; 250, IPL FIG. 6) MUST BE ORIENTED AS SHOWN (FIG. 701). IMPROPER SEAL ORIENTATION WILL RESULT IN LOSS OF LUBRICANT AND SUBSEQUENT DAMAGE TO BEARINGS (672B, IPL FIG. 1; 105, 180, IPL FIG. 4; 260, IPL FIG. 6).

- K. Assemble seals (668, IPL Fig. 1; 100, 175, IPL Fig. 4; 250, IPL Fig. 6) with wet BMS 10-11, Type 1 primer (F-20.06) per SOPM 20-41-02.
- L. Apply BMS 3-27 corrosion-preventative compound (F-19.71) to the interior surface of shaft (674, 676, IPL Fig. 1; 20, 25, IPL Fig. 4; 230, 235, IPL Fig. 6) and to cavities and splines between the shaft (674, 676, IPL Fig. 1; 20, 25, IPL Fig. 4; 230, 235, IPL Fig. 6) and arm fitting (678, 680, IPL Fig. 1; 185, 190, IPL Fig. 4; 265, 270, IPL Fig. 6) as shown (Fig. 701).
- M. Tighten nut (648, IPL Fig. 1; 130, IPL Fig. 4) used with bolt (640B, IPL Fig. 1; 110, IPL Fig. 4) to 370-690 pound-inches. No substitutes are allowed without engineering approval.
- N. Tighten nut (648, IPL Fig. 1; 130, IPL Fig. 4; 125, IPL Fig. 6) used with bolt (642, IPL Fig. 1; 115, IPL Fig. 4; 105, 110, IPL Fig. 6) to 260-425 pound-inches. No substitutes are allowed without engineering approval.
- O. Tighten nut (626, IPL Fig.1; 10, IPL Fig. 4; 220, IPL Fig. 6) to 2500-3000 pound-inches.
- P. Install MS20995NC40-3 lockwire through washer (628, IPL Fig. 1; 15, IPL Fig. 4; 225, IPL Fig. 6) and nut (626, IPL Fig. 1; 10, IPL Fig. 4; 220, IPL Fig. 6) per SOPM 20-50-02.
- Q. Tighten nut (638, IPL Fig. 1; 55, IPL Fig. 4; 180, IPL Fig. 6) used with bolt (632, IPL Fig. 1; 40, IPL Fig. 4; 155, 160, 165, IPL Fig. 6) to 150-250 pound-inches.
- R. Apply BMS 3-33 grease to lube points shown (Fig. 701) until grease is observed at grease exits. No substitutes are allowed.

57-53-31ASSEMBLY
Page 702
Nov 01/03

01.1



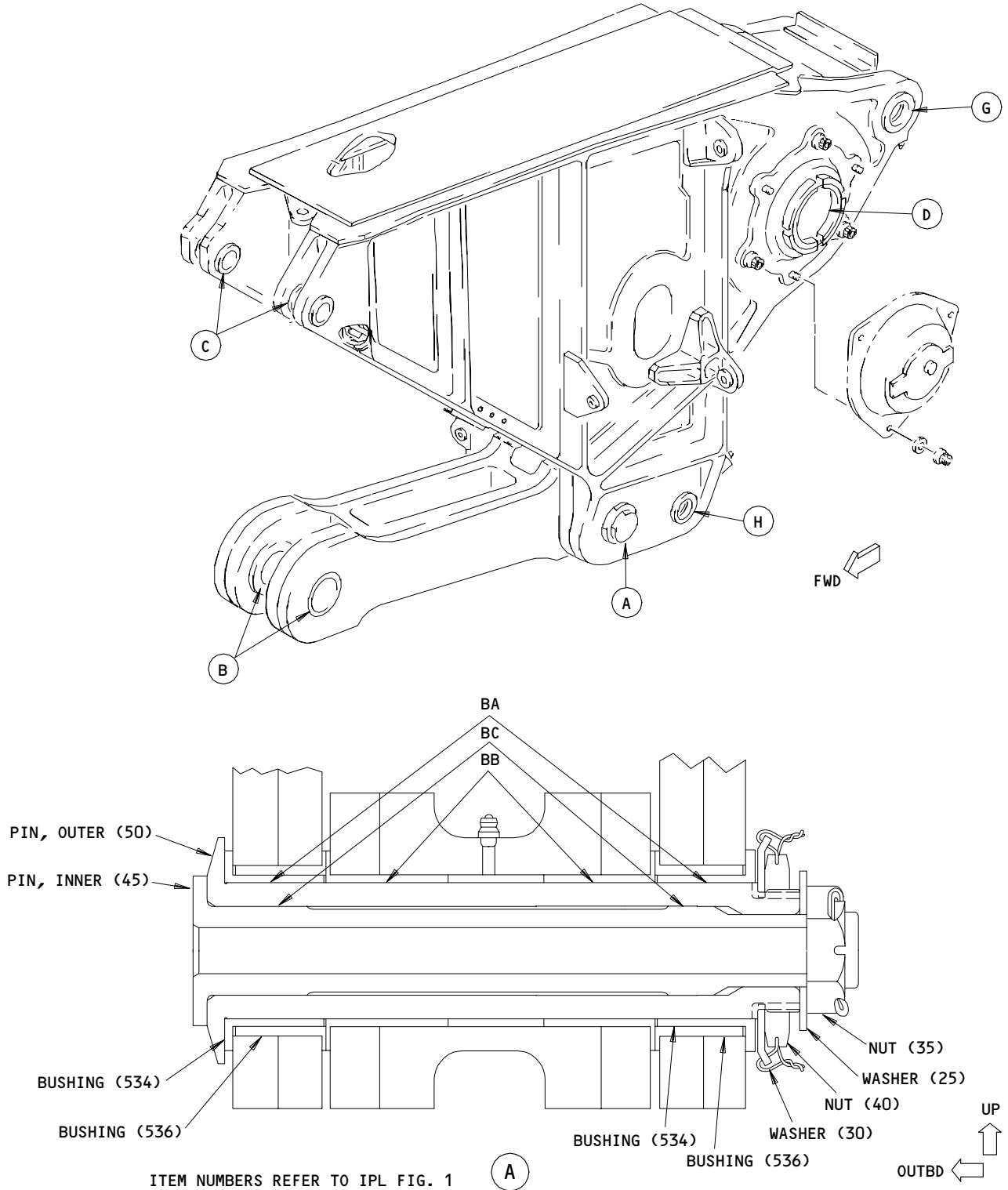
Drive Arm Installation
Figure 701

57-53-31

ASSEMBLY
Page 703
Nov 01/03

01.1

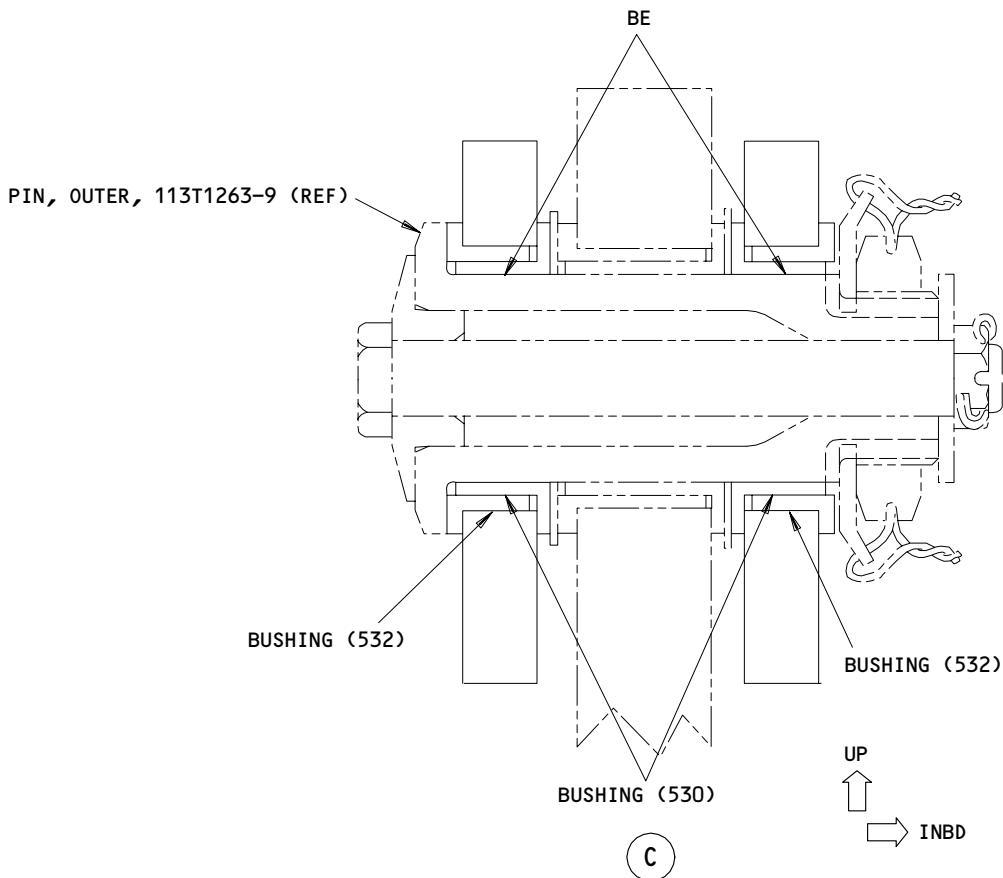
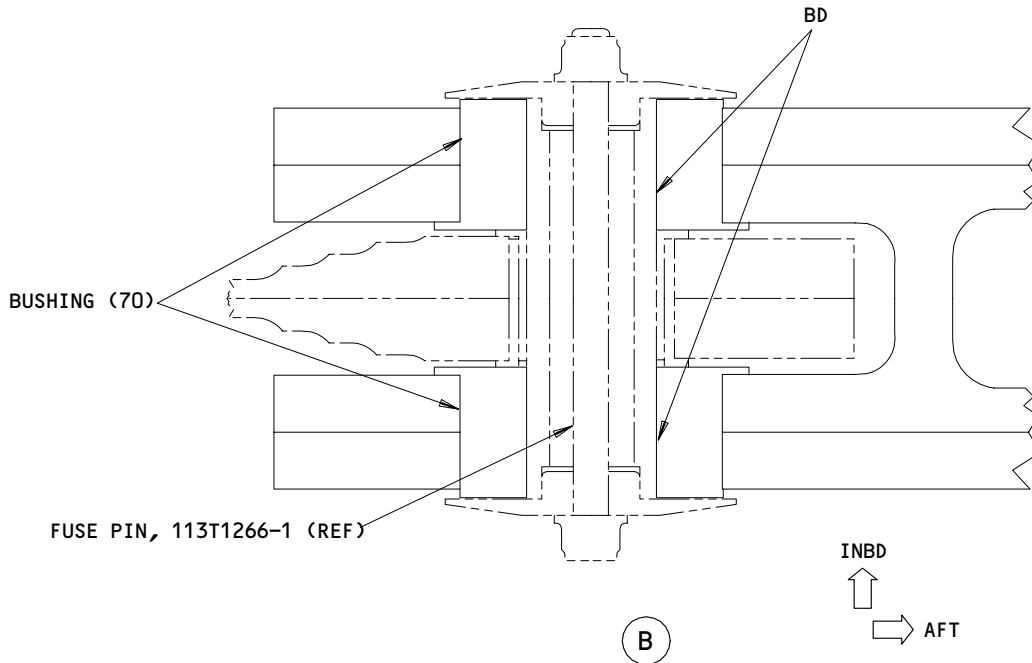
FITS AND CLEARANCES



Fits and Clearances
 Figure 801 (Sheet 1)

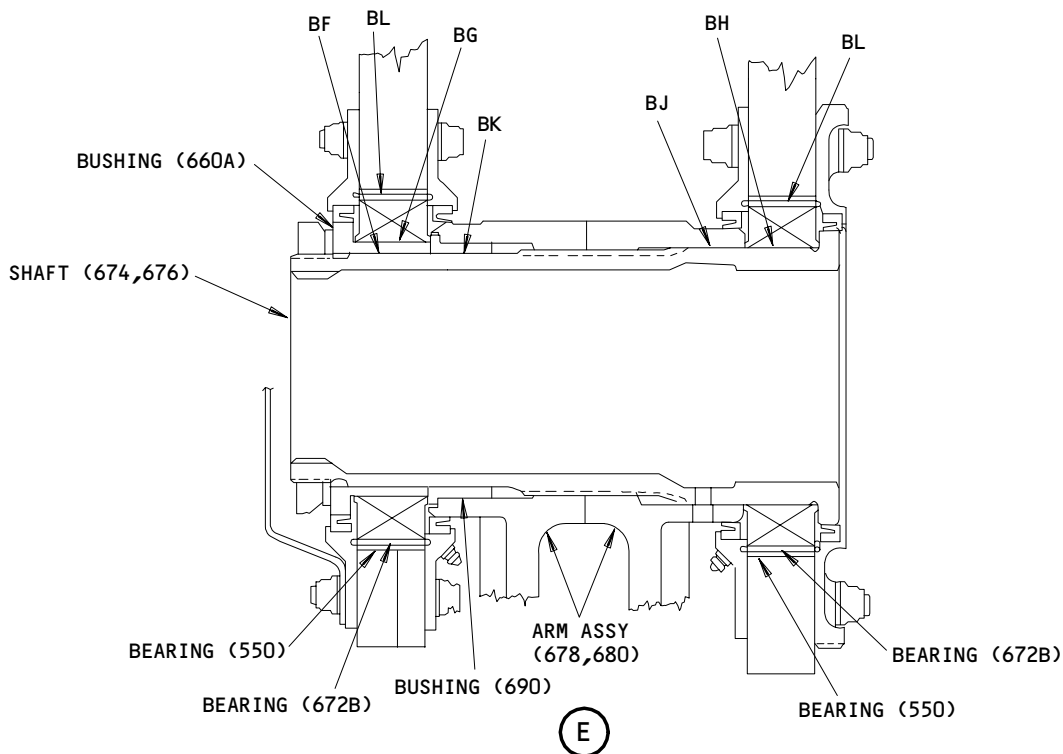
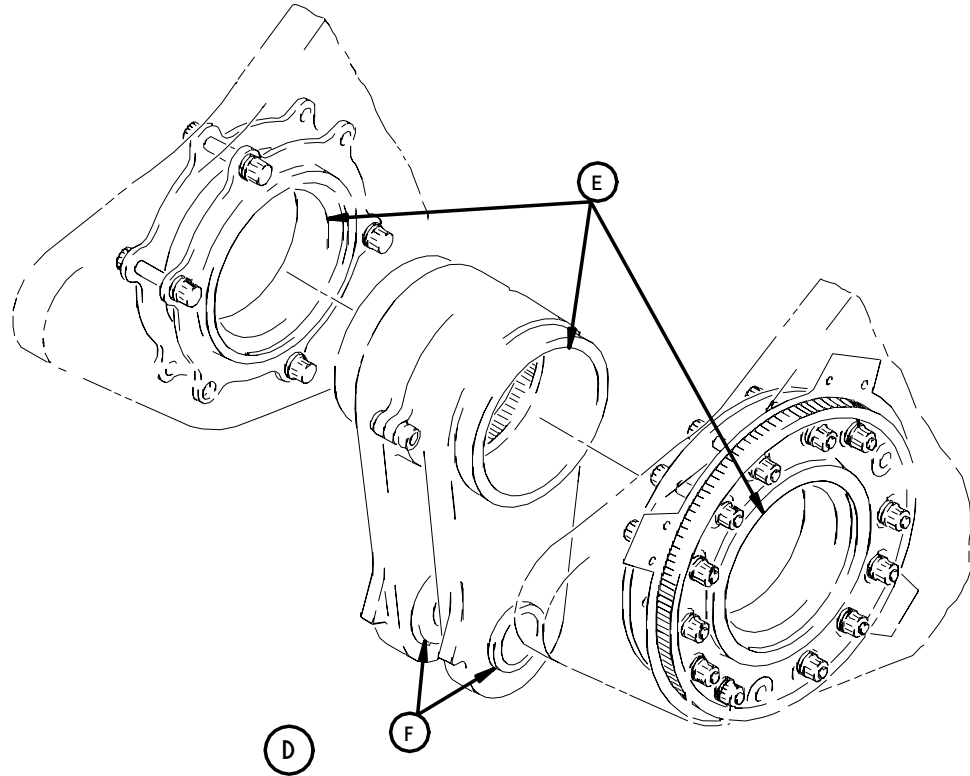
57-53-31

FITS AND CLEARANCES
 01.1 Page 801
 Apr 10/86



Fits and Clearances
 Figure 801 (Sheet 2)

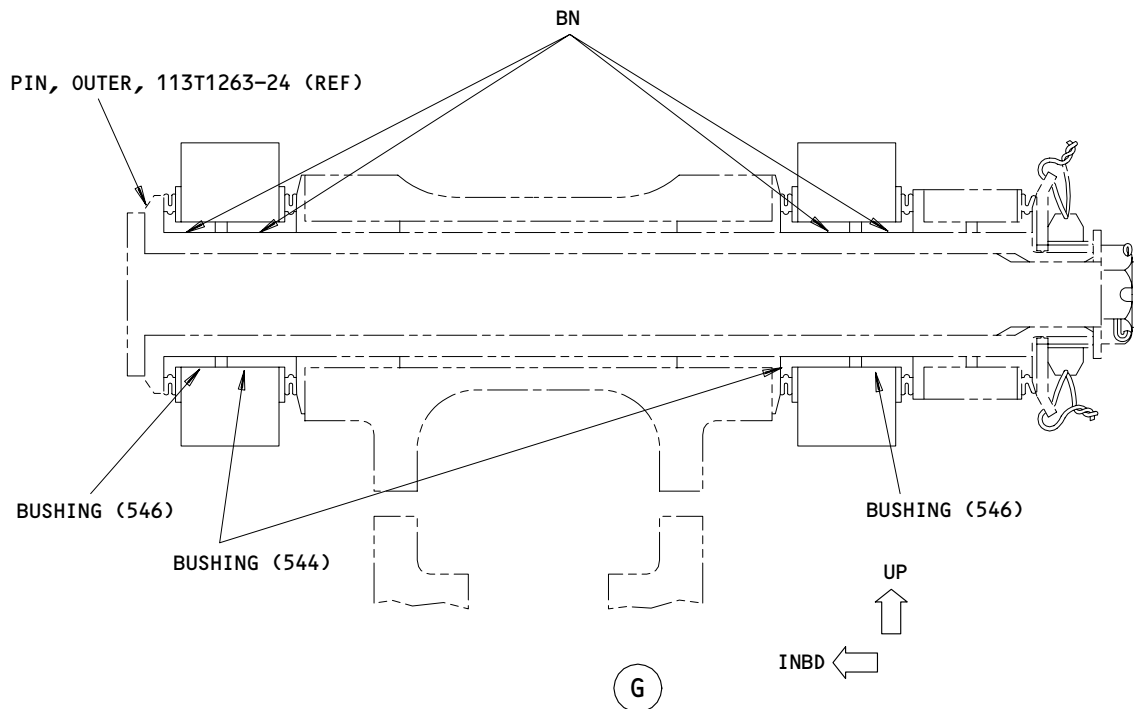
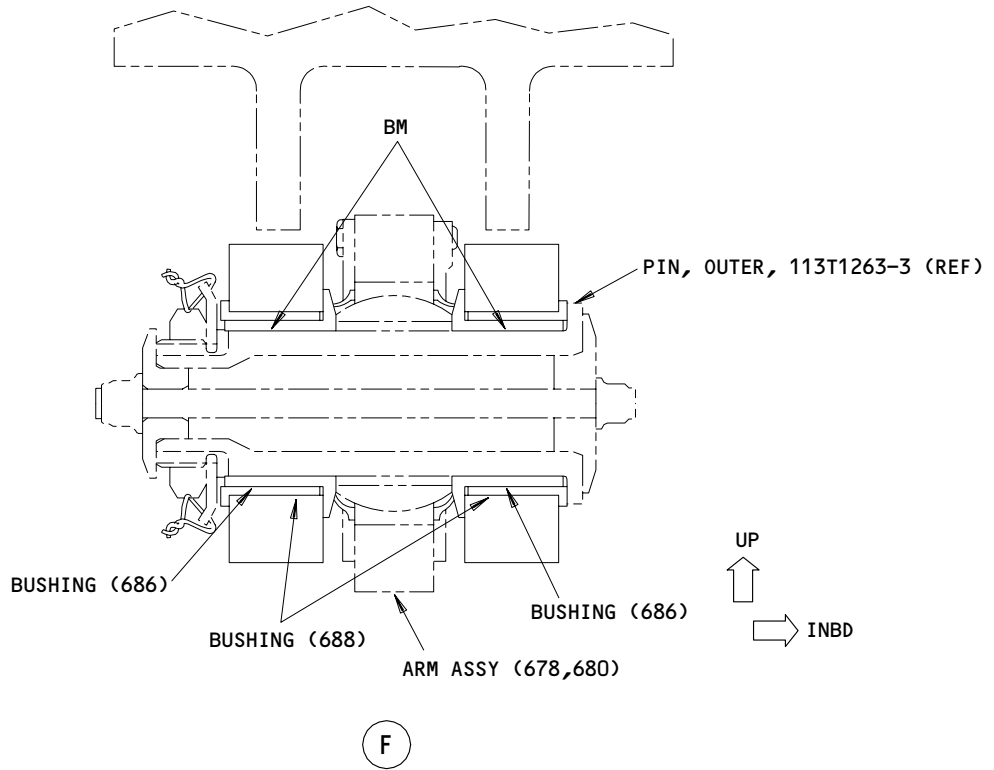
57-53-31



Fits and Clearances
 Figure 801 (Sheet 3)

57-53-31

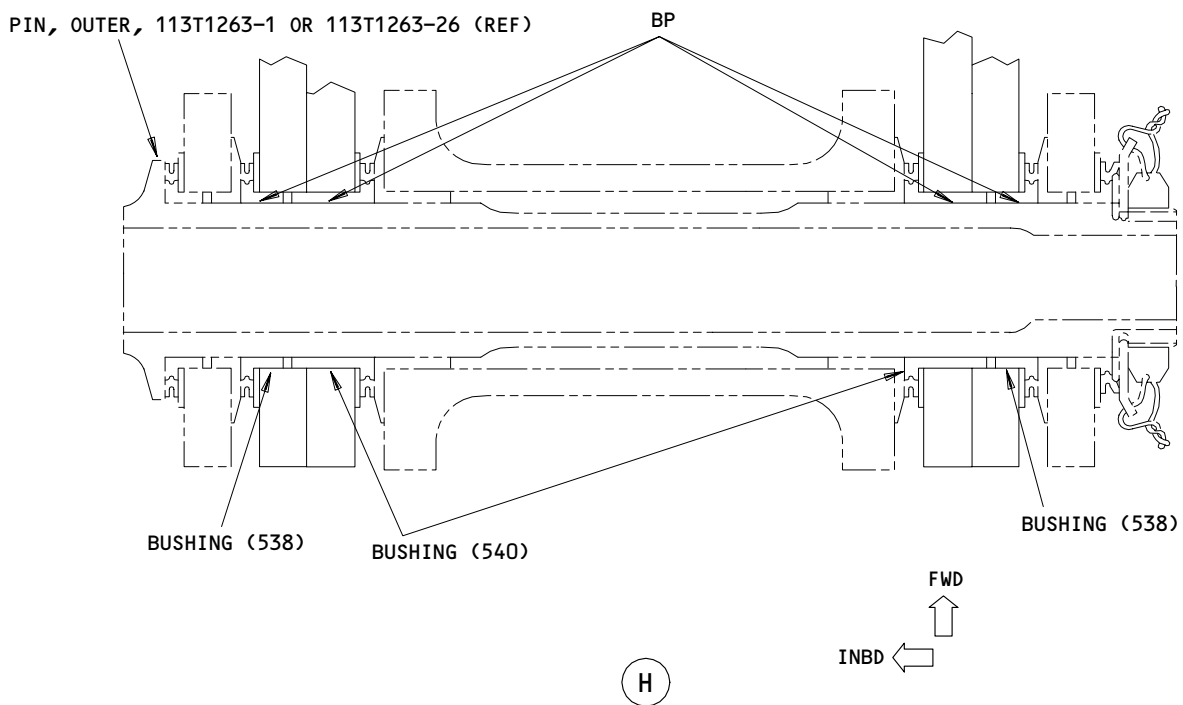
FITS AND CLEARANCES
 01.1 Page 803
 Jan 10/87



**Fits and Clearances
 Figure 801 (Sheet 4)**

57-53-31


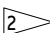

**FITS AND CLEARANCES
 01.1 Page 804
 Apr 10/86**



Fits and Clearances
Figure 801 (Sheet 5)

57-53-31

FITS AND CLEARANCES
01.1 Page 805
Apr 10/86

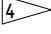

Ref Letter Fig.801	Mating Item No. IPL Fig.1	Design Dimension				Service Wear Limit		
		Dimension		Assembly Clearance		Dimension		Maximum Clearance
		Min	Max	Min	Max	Min	Max	
BA	ID 534	2.2514	2.2524	0.0005	0.0024	2.2406	2.2627	0.0118
	OD 50	2.2500	2.2509					
BB	ID 75	2.2514	2.2524	0.0005	0.0024	2.2406	2.2627	0.0118
	OD 50	2.2500	2.2509					
BC	ID 50	1.4970	1.5000	0.0020	0.0070	1.4882	1.5034	0.0084
	OD 45	1.4930	1.4950					
BD	ID 70	1.3680	1.3690	0.0005	0.0025	1.3593	1.3772	0.0088
	OD 	1.3665	1.3675					
BE	ID 530	1.3760	1.3770	0.0005	0.0025	1.3692	1.3833	0.0078
	OD 	1.3745	1.3755					
BF	ID 670	4.3515	4.3525	0.0005	0.0025	4.3375	4.3660	0.0150
	OD 674,676	4.3500	4.3510					
BG	ID 672B	4.7488	4.7504	0.0005	0.0031	4.7354	4.7533	0.0150
	OD 670	4.7473	4.7483					
BH	ID 672B	4.7488	4.7504	0.0003	0.0029	4.7354	4.7635	0.0150
	OD 674,676	4.7475	4.7485					
BJ	ID 678,680	4.7490	4.7500	0.0005	0.0025	4.7350	4.7635	0.0150
	OD 674,676	4.7475	4.7484					
BK	ID 690	4.3515	4.3525	0.0005	0.0025	4.3375	4.3660	0.0150
	OD 674,676	4.3500	4.3510					
BL	ID 550	6.3445	6.3460	0.0005	0.0032	6.3310	6.3590	0.0150
	OD 672B	6.3428	6.3440					
BM	ID 686	1.7495	1.7506	0.0005	0.0022	1.7411	1.7585	0.0095
	OD 	1.7484	1.7490					

Fits and Clearances
Figure 801 (Sheet 6)

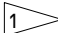
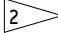
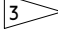
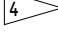

57-53-31

FITS AND CLEARANCES
01.1 Page 806
Apr 10/86


BOEING
 COMPONENT
 MAINTENANCE MANUAL

Ref Letter Fig.801	Mating Item No. IPL Fig.1	Design Dimension				Service Wear Limit		
		Dimension		Assembly Clearance		Dimension		Maximum Clearance
		Min	Max	Min	Max	Min	Max	
BN	ID 544,546	1.4996	1.5006	0.0006	0.0022	1.4922	1.5074	0.0084
	OD 	1.4984	1.4990					
BP	ID 538,540	1.6245	1.6256	0.0005	0.0022	1.6167	1.6329	0.0089
	OD 	1.6234	1.6240					

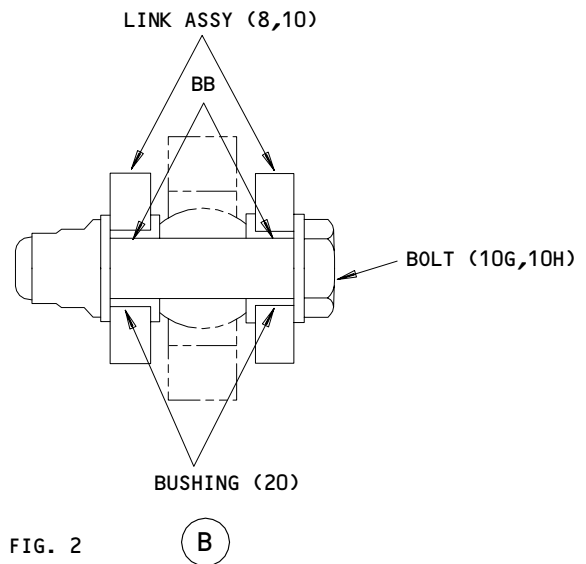
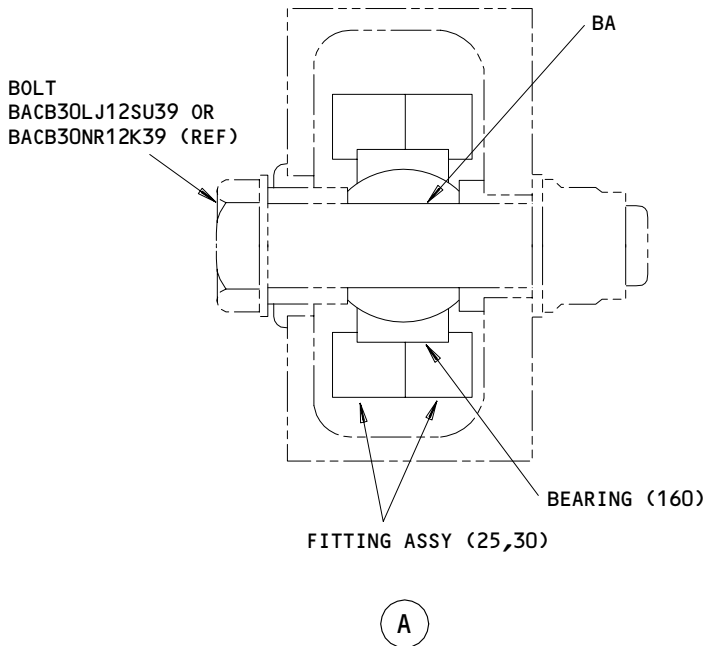
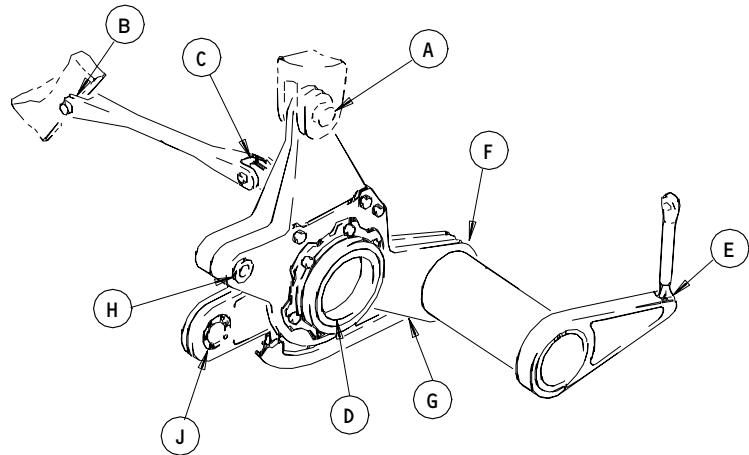
ALL DIMENSIONS ARE IN INCHES

-  FUSE PIN, 113T1266-1 (REF)
-  OUTER PIN, 113T1263-9 (REF)
-  OUTER PIN, 113T1263-3 (REF)
-  OUTER PIN, 113T1263-24 (REF)
-  OUTER PIN, 113T1263-1 OR -26 (REF)

Fits and Clearances
 Figure 801 (Sheet 7)

57-53-31

FITS AND CLEARANCES
 01.1 Page 807
 Mar 01/00

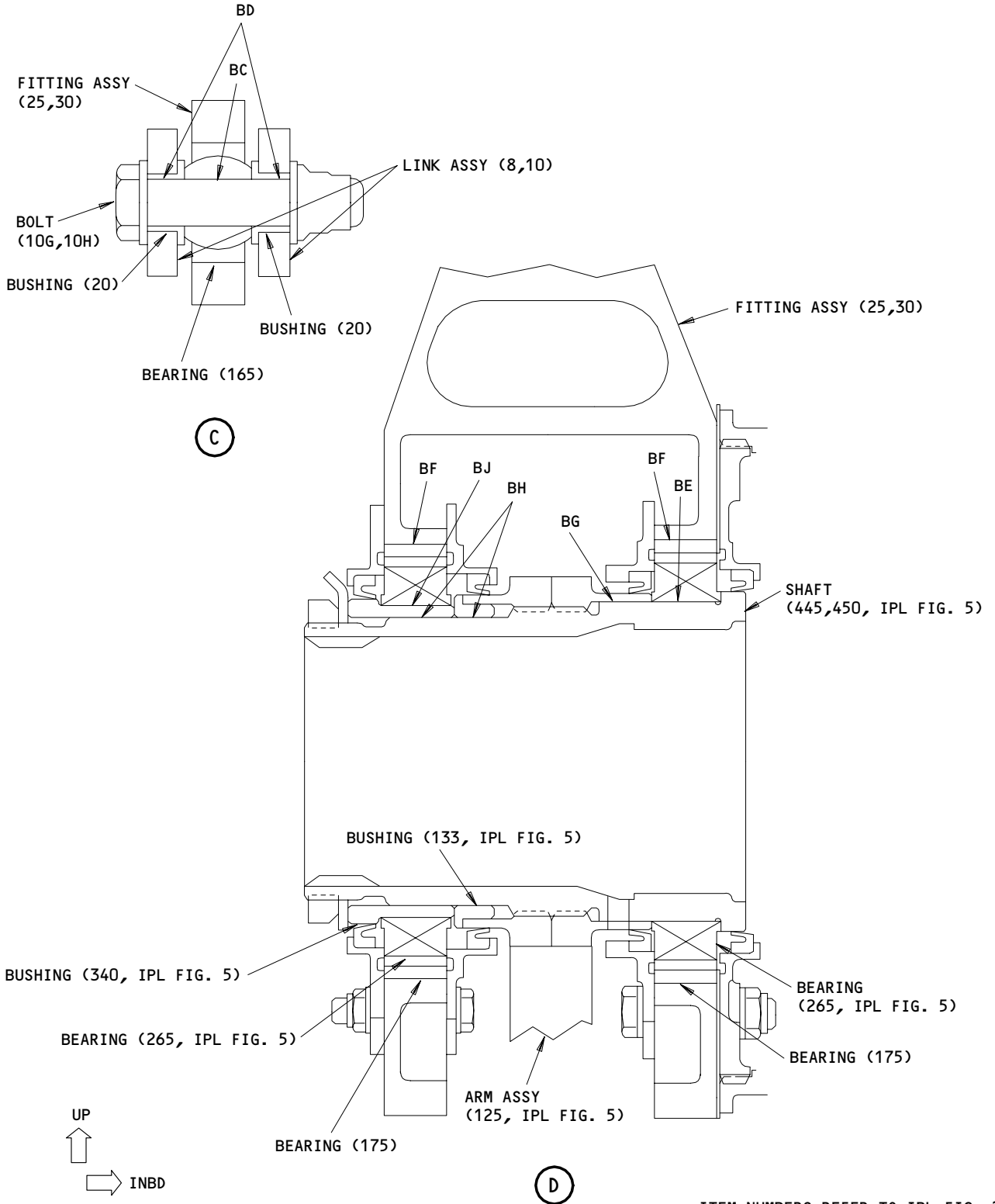


ITEM NUMBERS REFER TO IPL FIG. 2

**Fits and Clearances
 Figure 802 (Sheet 1)**

57-53-31

**FITS AND CLEARANCES
 01.1 Page 808
 Apr 10/86**

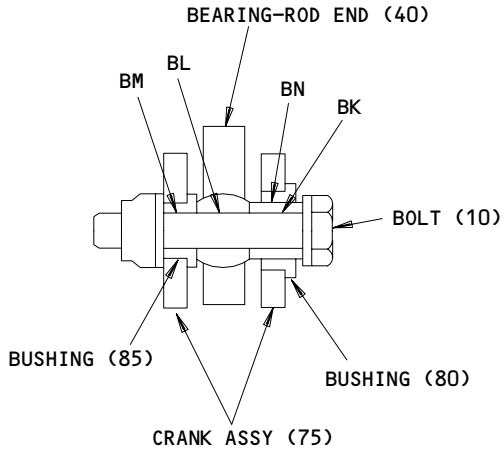


ITEM NUMBERS REFER TO IPL FIG. 2 EXCEPT AS NOTED

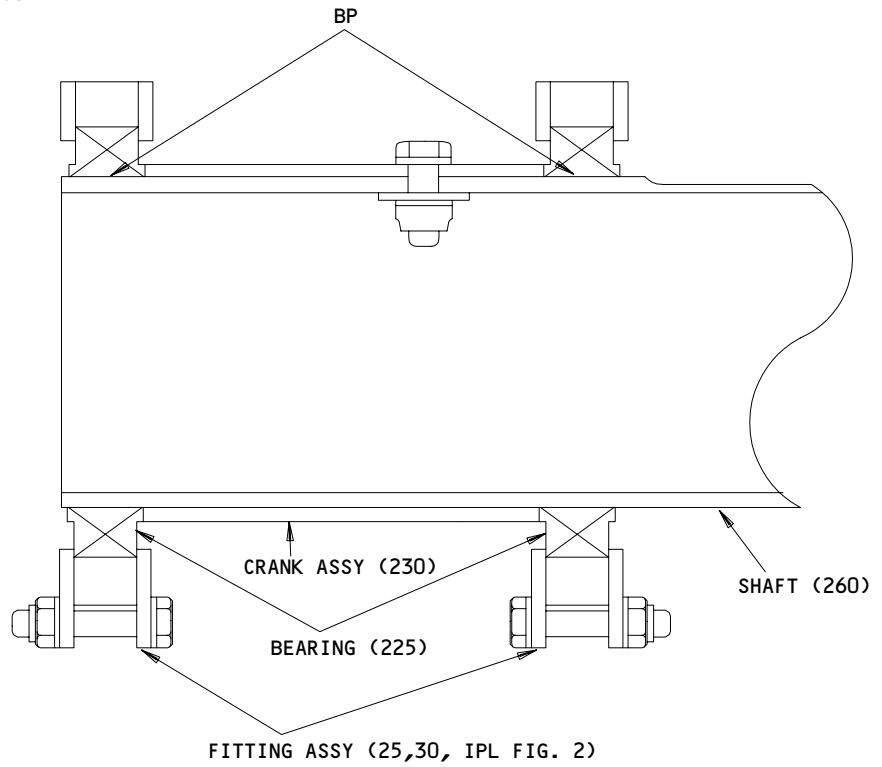
Fits and Clearances
Figure 802 (Sheet 2)

57-53-31

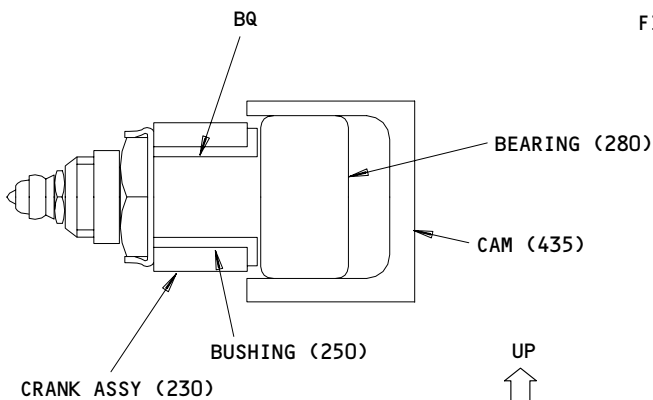
FITS AND CLEARANCES
01.1 Page 809
Apr 01/89



(E)



(F)



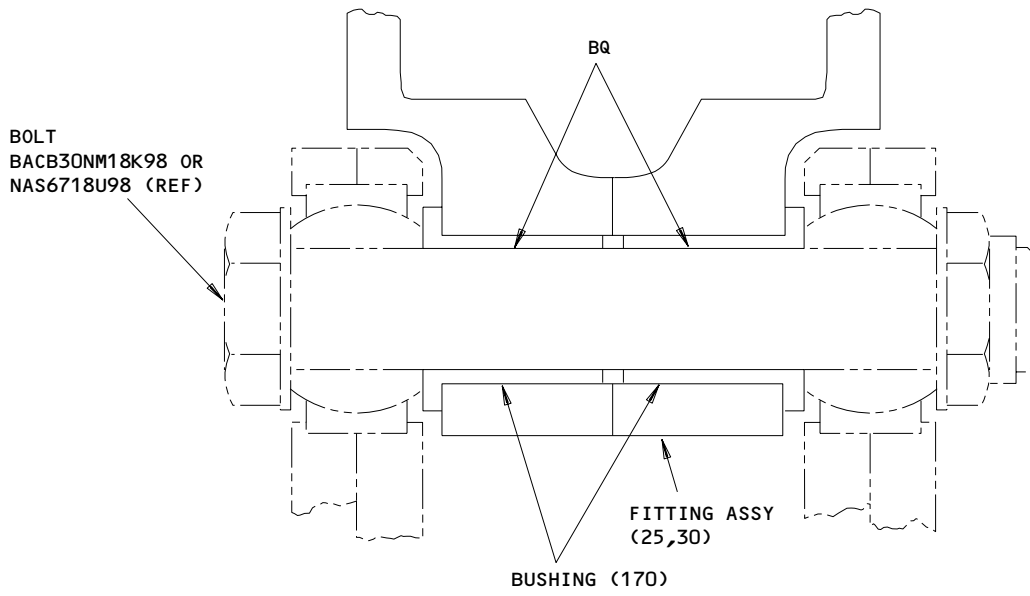
(G)

ITEM NUMBERS REFER TO IPL FIG. 5

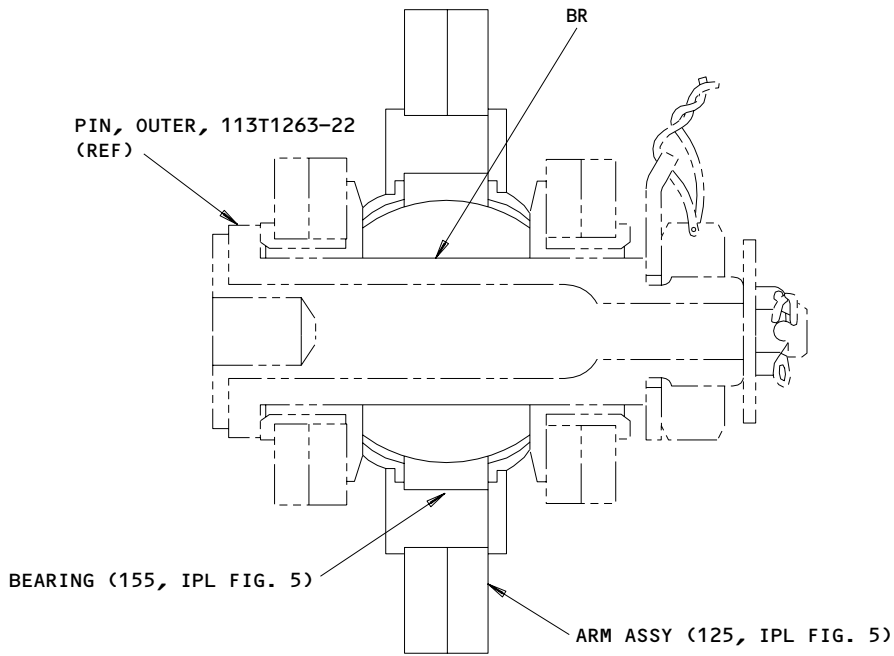
Fits and Clearances
 Figure 802 (Sheet 3)

57-53-31

FITS AND CLEARANCES
 01.1 Page 810
 Apr 01/89



H




J

ITEM NUMBERS REFER TO IPL FIG. 2
EXCEPT AS NOTED

Fits and Clearances
Figure 802 (Sheet 4)

57-53-31

FITS AND CLEARANCES
01.1 Page 811
Apr 01/89



Ref Letter Fig.802	Mating Item No.	IPL Fig. No.	Design Dimension				Service Wear Limit		
			Dimension		Assembly Clearance		Dimension Limits		Maximum Allowable Clearance
			Min	Max	Min	Max	Min	Max	
BA	ID 160	2	0.7500	0.7505	0.0010	0.0020	0.7451	0.7544	0.0054
	OD 	2	0.7485	0.7490					
BB	ID 20	2	0.3750	0.3756	0.0005	0.0016	0.3706	0.3795	0.0050
	OD 10G	2	0.3740	0.3745					
BC	ID 165	2	0.3750	0.3754	0.0005	0.0014	0.3704	0.3795	0.0050
	OD 10G	2	0.3740	0.3745					
BD	ID 20	2	0.3750	0.3756	0.0005	0.0016	0.3706	0.3795	0.0050
	OD 10G	2	0.3740	0.3745					
BE	ID 265	5	4.4988	4.5004	0.0005	0.0031	4.4854	4.5133	0.0150
	OD 445,450	5	4.4973	4.4983					
BF	ID 175	2	5.6255	5.6270	0.0005	0.0032	5.6212	5.6400	0.0150
	OD 265	5	5.6238	5.6250					
BG	ID 125	5	4.4990	4.5000	0.0007	0.0027	4.4850	4.5133	0.0150
	OD 445,450	5	4.4973	4.4983					
BH	ID 133,340	5	4.1111	4.1121	0.0005	0.0021	4.0971	4.1256	0.0150
	OD 445,450	5	4.1100	4.1106					
BJ	ID 265	5	4.4988	4.5004	0.0005	0.0031	4.4854	4.5133	0.0150
	OD 340	5	4.4973	4.4983					
BK	ID 30	5	0.2500	0.2505	0.0004	0.0015	0.2455	0.2546	0.0050
	OD 10	5	0.2490	0.2496					
BL	ID 40	5	0.2500	0.2504	0.0004	0.0014	0.2454	0.2546	0.0050
	OD 10	5	0.2490	0.2496					
BM	ID 85	5	0.2500	0.2505	0.0004	0.0016	0.2455	0.2546	0.0050
	OD 10	5	0.2490	0.2496					

Fits and Clearances
Figure 802 (Sheet 5)

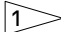
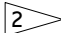

57-53-31

FITS AND CLEARANCES
01.1 Page 812
Mar 01/00


BOEING
 COMPONENT
 MAINTENANCE MANUAL

Ref Letter Fig.802	Mating Item No.	IPL Fig. No.	Design Dimension				Service Wear Limit		
			Dimension		Assembly Clearance		Dimension Limits		Maximum Allowable Clearance
			Min	Max	Min	Max	Min	Max	
BN	ID 80	5	0.3750	0.3756	0.0005	0.0016	0.3706	0.3795	0.0050
	OD 30	5	0.3740	0.3745					
BP	ID 225	5	2.9359	2.9374	0.0000	0.0025	2.9229	2.9504	0.0145
	OD 260	5	2.9349	2.9359					
BQ	ID 170	2	1.1250	1.1257	0.0010	0.0027	1.1179	1.1318	0.0078
	OD 	2	1.1230	1.1240					
BR	ID 155	5	1.0000	1.0006	0.0010	0.0022	0.9944	1.0052	0.0062
	OD 	2	0.9984	0.9990					

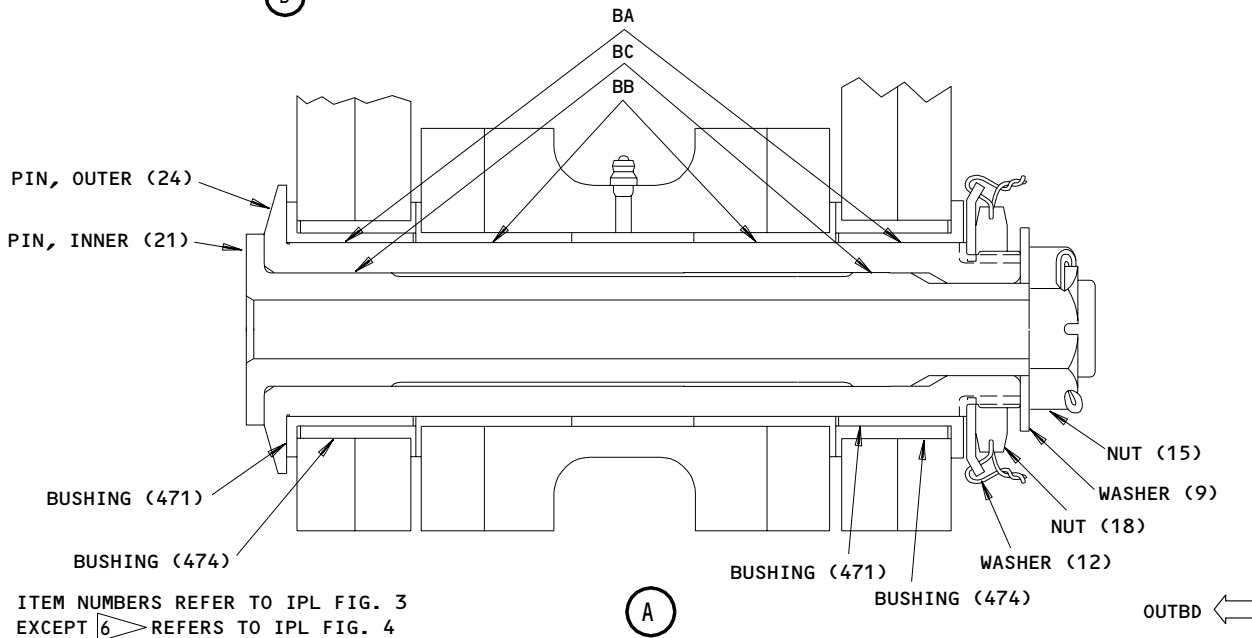
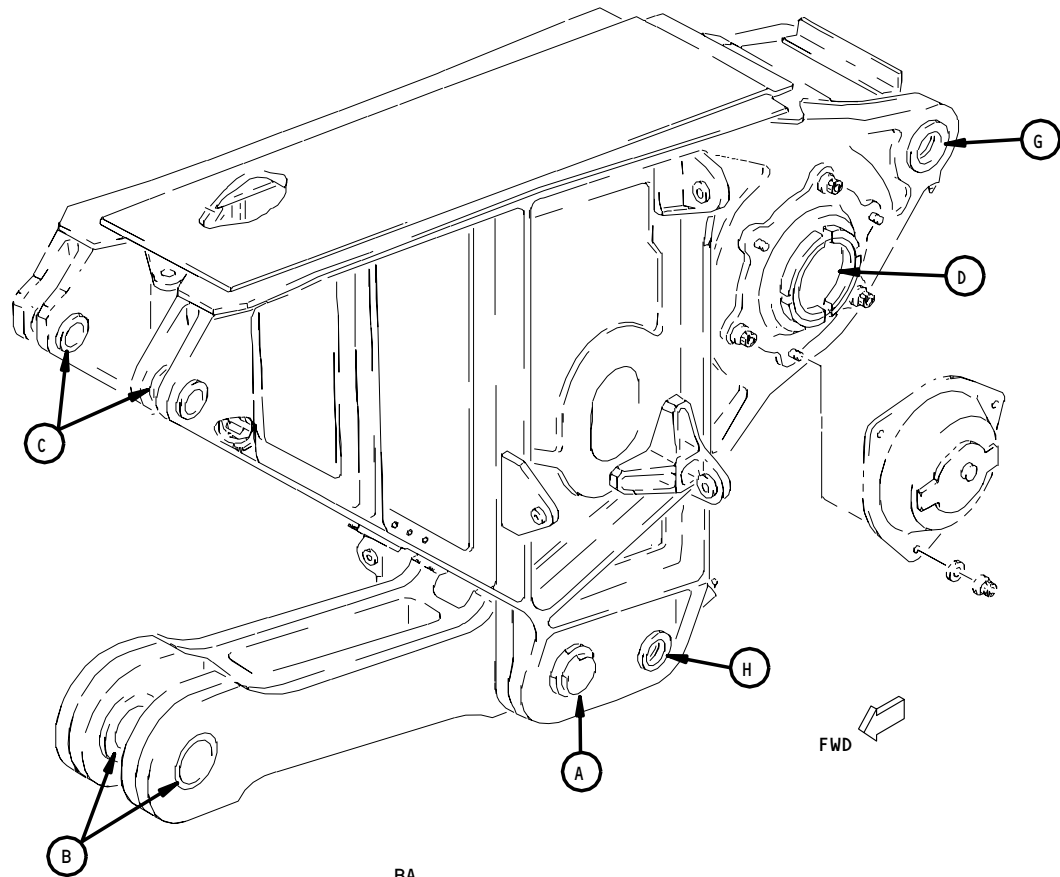
ALL DIMENSIONS ARE IN INCHES

-  BOLT, BACB30LJ12SU39 OR BACB30NR12K39 (REF)
-  BOLT, NAS6718U98 OR BACB30NM18K98 (REF)
-  OUTER PIN, 113T1263-22 (REF)

Fits and Clearances
 Figure 802 (Sheet 6)

57-53-31

FITS AND CLEARANCES
 01.1 Page 813
 Apr 01/89

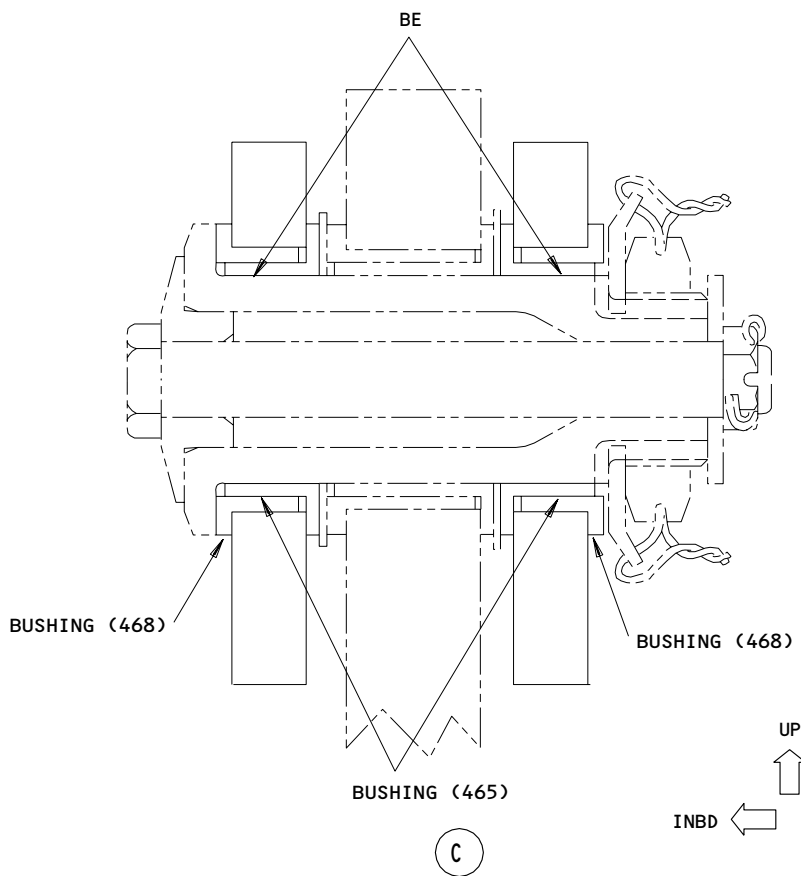
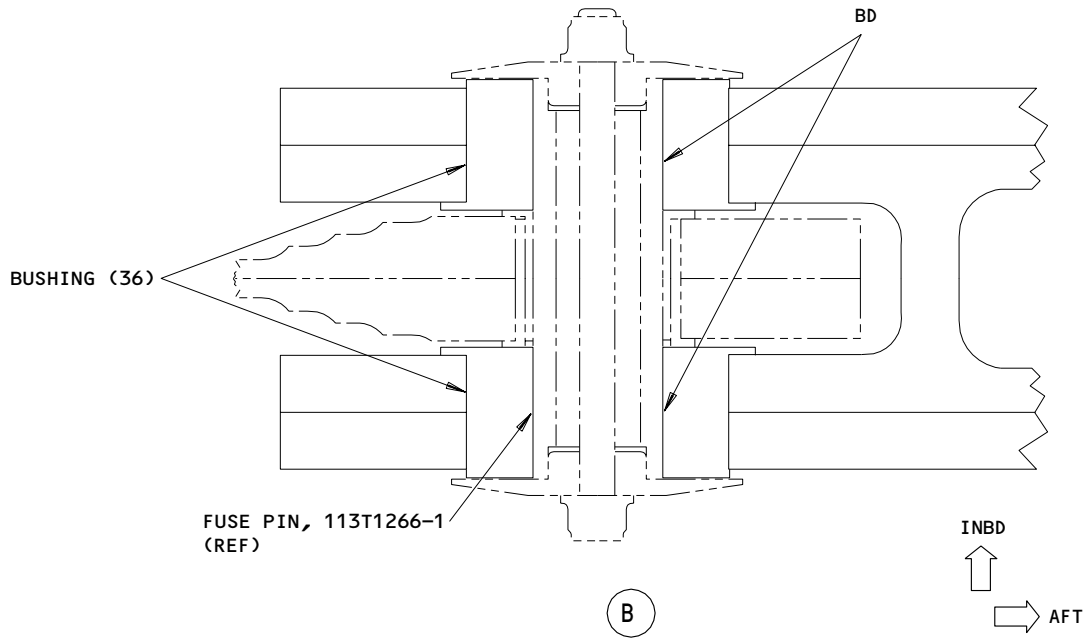


ITEM NUMBERS REFER TO IPL FIG. 3
 EXCEPT REFERS TO IPL FIG. 4

**Fits and Clearances
 Figure 803 (Sheet 1)**

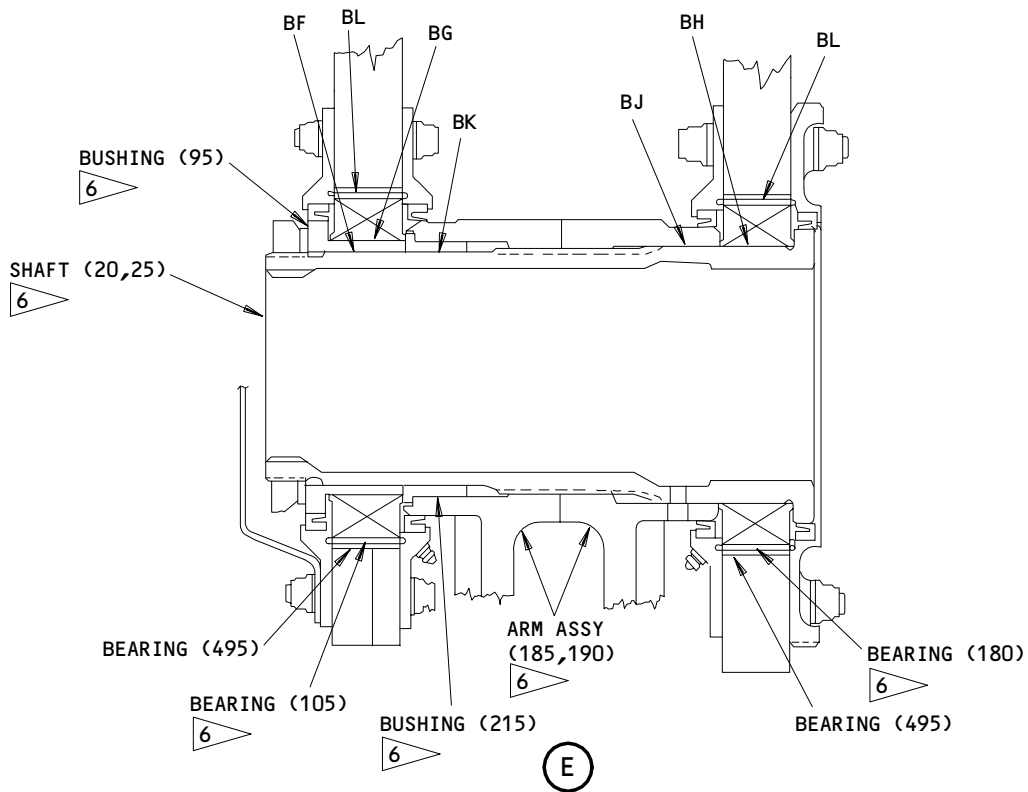
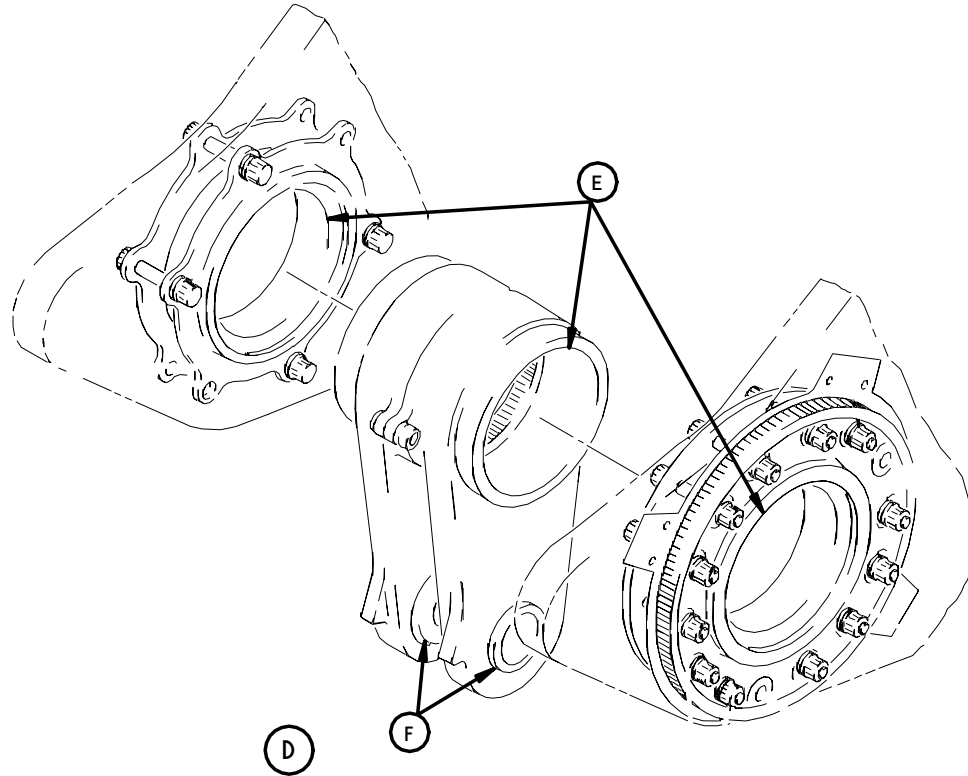
57-53-31

FITS AND CLEARANCES
 01.1 Page 814
 Jan 10/87



Fits and Clearances
Figure 803 (Sheet 2)

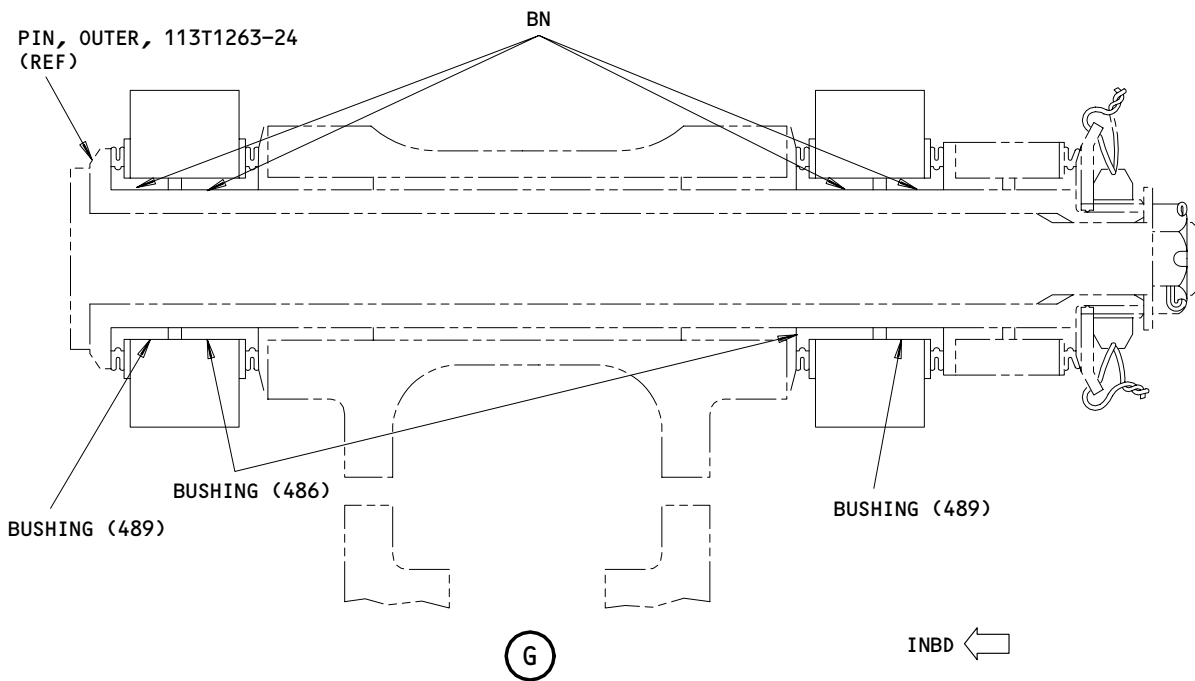
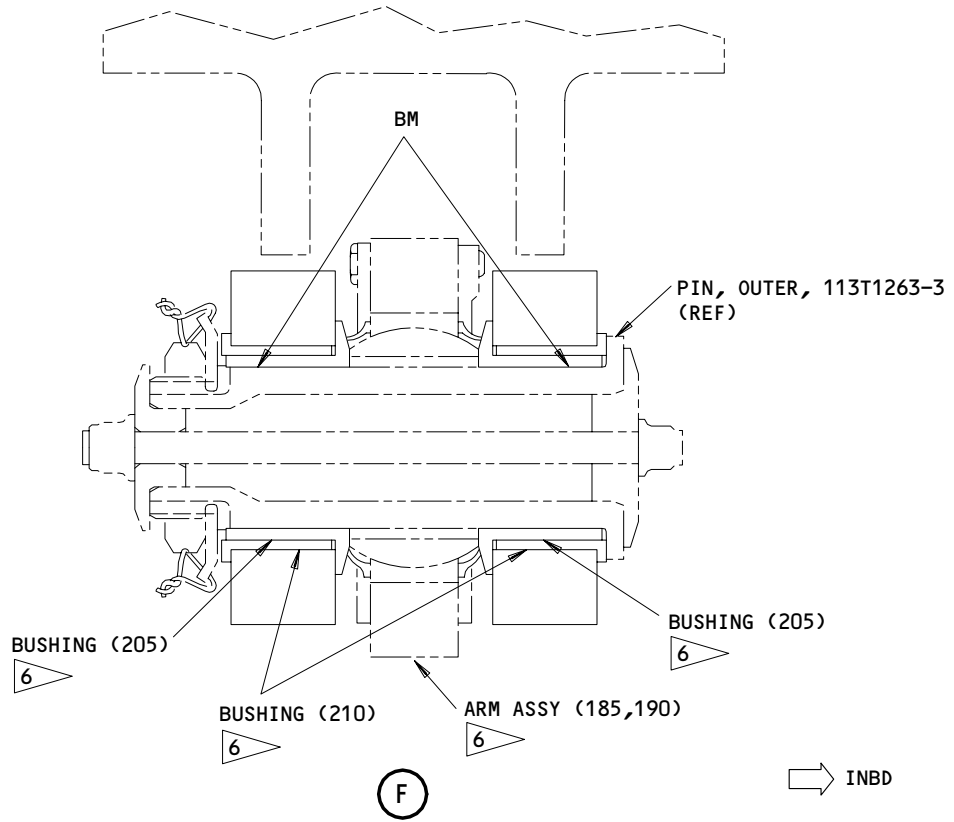
57-53-31



**Fits and Clearances
 Figure 803 (Sheet 3)**

57-53-31

**FITS AND CLEARANCES
 01.1 Page 816
 Jan 10/87**

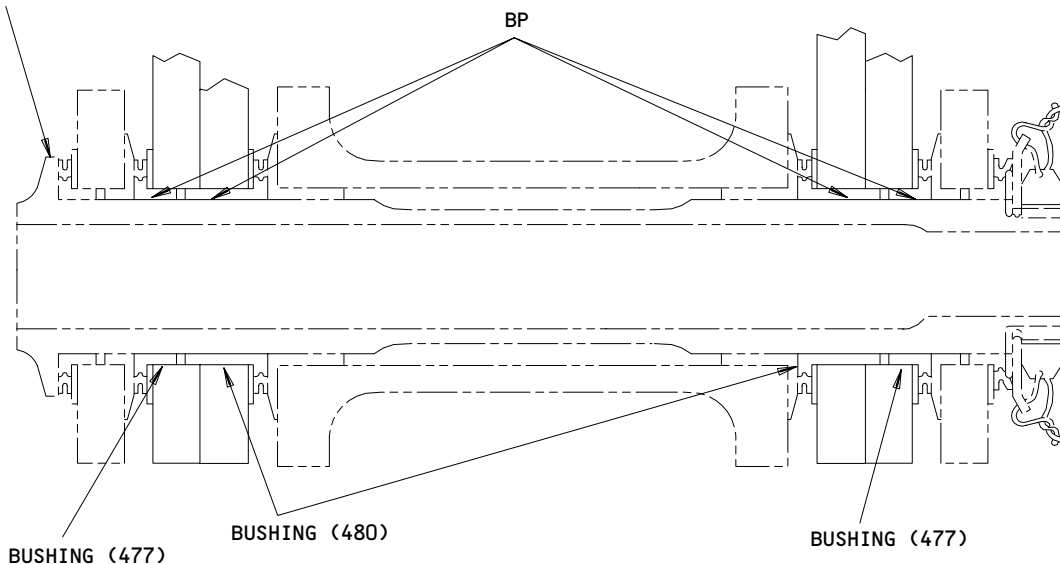


Fits and Clearances
Figure 803 (Sheet 4)

57-53-31

FITS AND CLEARANCES
01.1 Page 817
Jan 10/87

PIN, OUTER, 113T1263-1 OR
113T1263-26 (REF)



FWD
↑
INBD ←

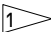
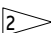
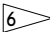
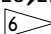
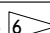
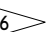
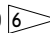
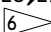
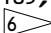
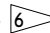
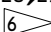
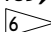
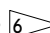

H

Fits and Clearances
Figure 803 (Sheet 5)

57-53-31

FITS AND CLEARANCES
01.1 Page 818
Apr 10/86

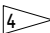


BOEING
 COMPONENT
 MAINTENANCE MANUAL

Ref Letter Fig.803	Mating Item No. IPL Fig.3	Design Dimension				Service Wear Limit		
		Dimension		Assembly Clearance		Dimension		Maximum Clearance
		Min	Max	Min	Max	Min	Max	
BA	ID 471	2.2514	2.2524	0.0005	0.0024	2.2406	2.2627	0.0118
	OD 24	2.2500	2.2509					
BB	ID 39	2.2514	2.2524	0.0005	0.0024	2.2406	2.2627	0.0118
	OD 24	2.2500	2.2509					
BC	ID 24	1.4970	1.5000	0.0020	0.0070	1.4882	1.5034	0.0084
	OD 21	1.4930	1.4950					
BD	ID 36	1.3680	1.3690	0.0005	0.0025	1.3593	1.3772	0.0088
	OD 	1.3665	1.3675					
BE	ID 465	1.3760	1.3770	0.0005	0.0025	1.3692	1.3833	0.0078
	OD 	1.3745	1.3755					
BF	ID 95 	4.3515	4.3525	0.0005	0.0025	4.3375	4.3660	0.0150
	OD 20,25	4.3500	4.3510					
								
BG	ID 105 	4.7488	4.7504	0.0005	0.0031	4.7354	4.7533	0.0150
	OD 95 	4.7473	4.7483					
BH	ID 180 	4.7488	4.7504	0.0003	0.0029	4.7354	4.7635	0.0150
	OD 20,25	4.7475	4.7485					
								
BJ	ID 185,190	4.7490	4.7500	0.0005	0.0025	4.7350	4.7635	0.0150
								
	OD 20,25	4.7475	4.7484					
BK	ID 215 	4.3515	4.3525	0.0005	0.0025	4.3375	4.3660	0.0150
	OD 20,25	4.3500	4.3510					
								
BL	ID 495	6.3445	6.3460	0.0005	0.0032	6.3310	6.3590	0.0150
	OD 105,180	6.3428	6.3440					
								
BM	ID 205 	1.7495	1.7506	0.0005	0.0022	1.7411	1.7585	0.0095
	OD 	1.7484	1.7490					

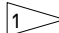
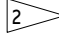
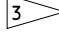
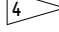
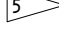
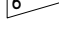
Fits and Clearances
 Figure 803 (Sheet 6)

57-53-31

FITS AND CLEARANCES
 01.1 Page 819
 Jan 10/87

Ref Letter Fig.803	Mating Item No. IPL Fig.3	Design Dimension				Service Wear Limit		
		Dimension		Assembly Clearance		Dimension		Maximum Clearance
		Min	Max	Min	Max	Min	Max	
BN	ID 486,489	1.4996	1.5006	0.0006	0.0022	1.4922	1.5074	0.0084
	OD 	1.4984	1.4990					
BP	ID 477,480	1.6245	1.6256	0.0005	0.0022	1.6167	1.6329	0.0089
	OD 	1.6234	1.6240					

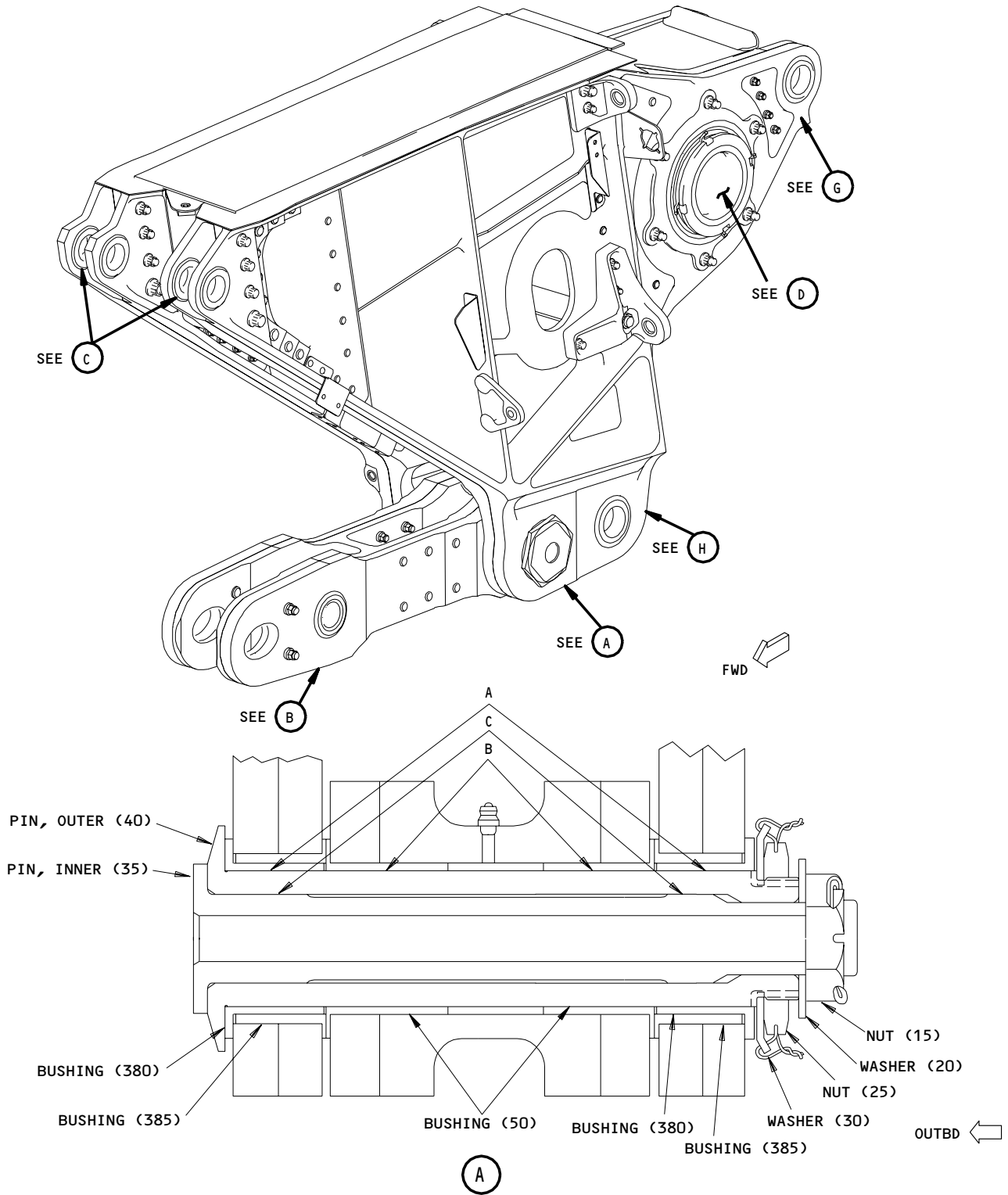
ALL DIMENSIONS ARE IN INCHES

-  FUSE PIN, 113T1266-1 (REF)
-  OUTER PIN, 113T1263-9 (REF)
-  OUTER PIN, 113T1263-3 (REF)
-  OUTER PIN, 113T1263-24 (REF)
-  OUTER PIN, 113T1263-1 OR -26 (REF)
-  ITEM NUMBERS REFER TO IPL FIG. 4

Fits and Clearances
 Figure 803 (Sheet 7)

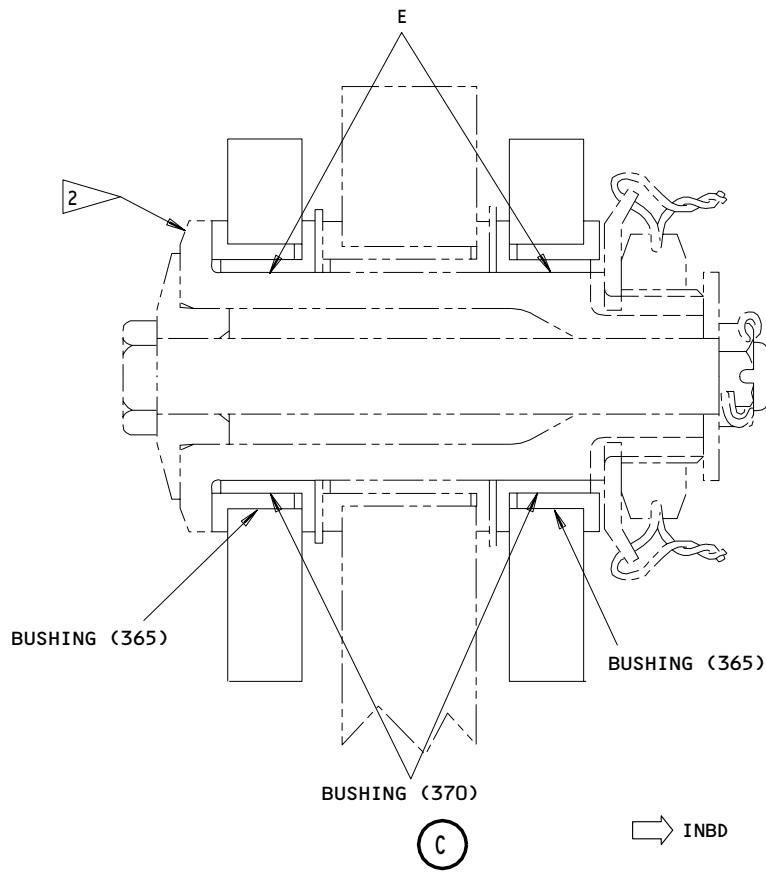
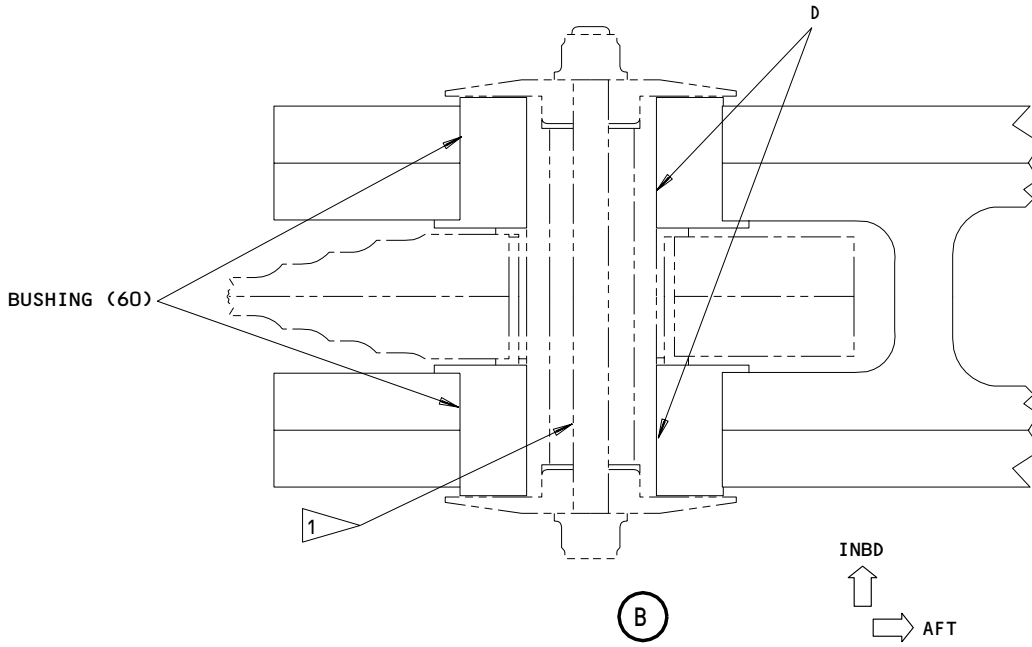
57-53-31

FITS AND CLEARANCES
 01.1 Page 820
 Mar 01/00



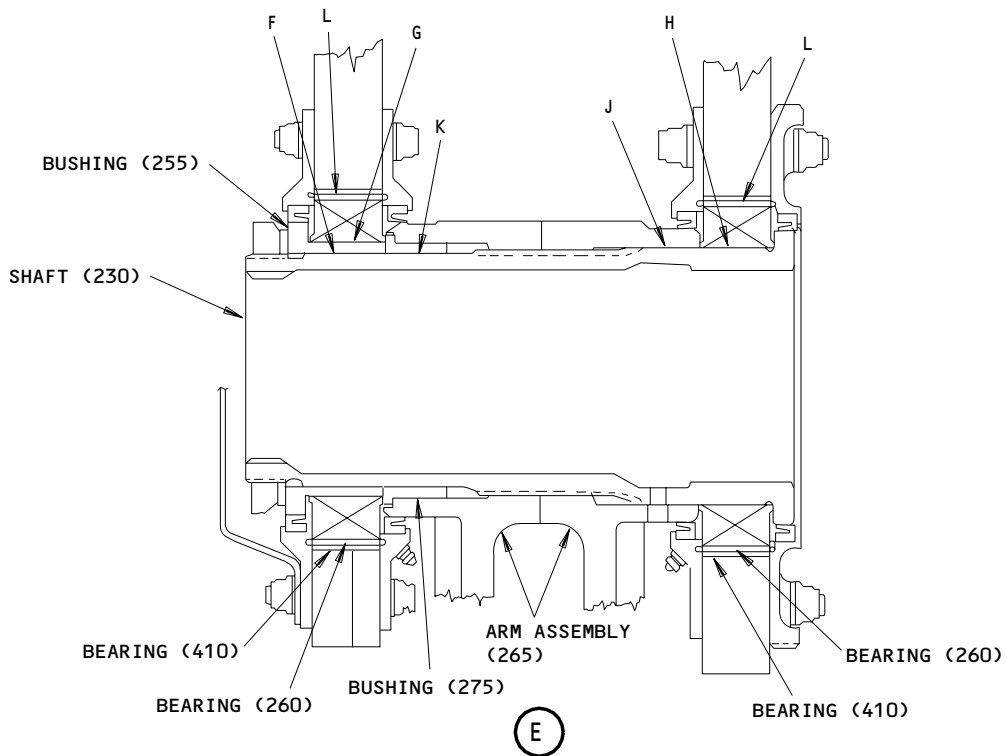
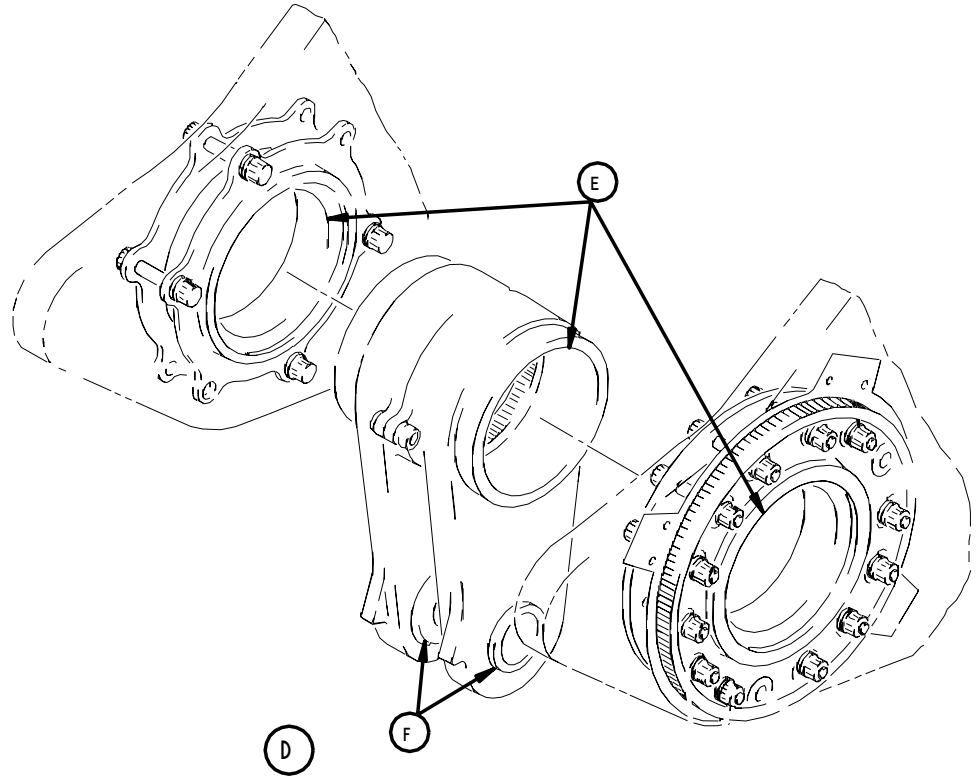
Fits and Clearances
 Figure 804 (Sheet 1)

57-53-31



**Fits and Clearances
 Figure 804 (Sheet 2)**

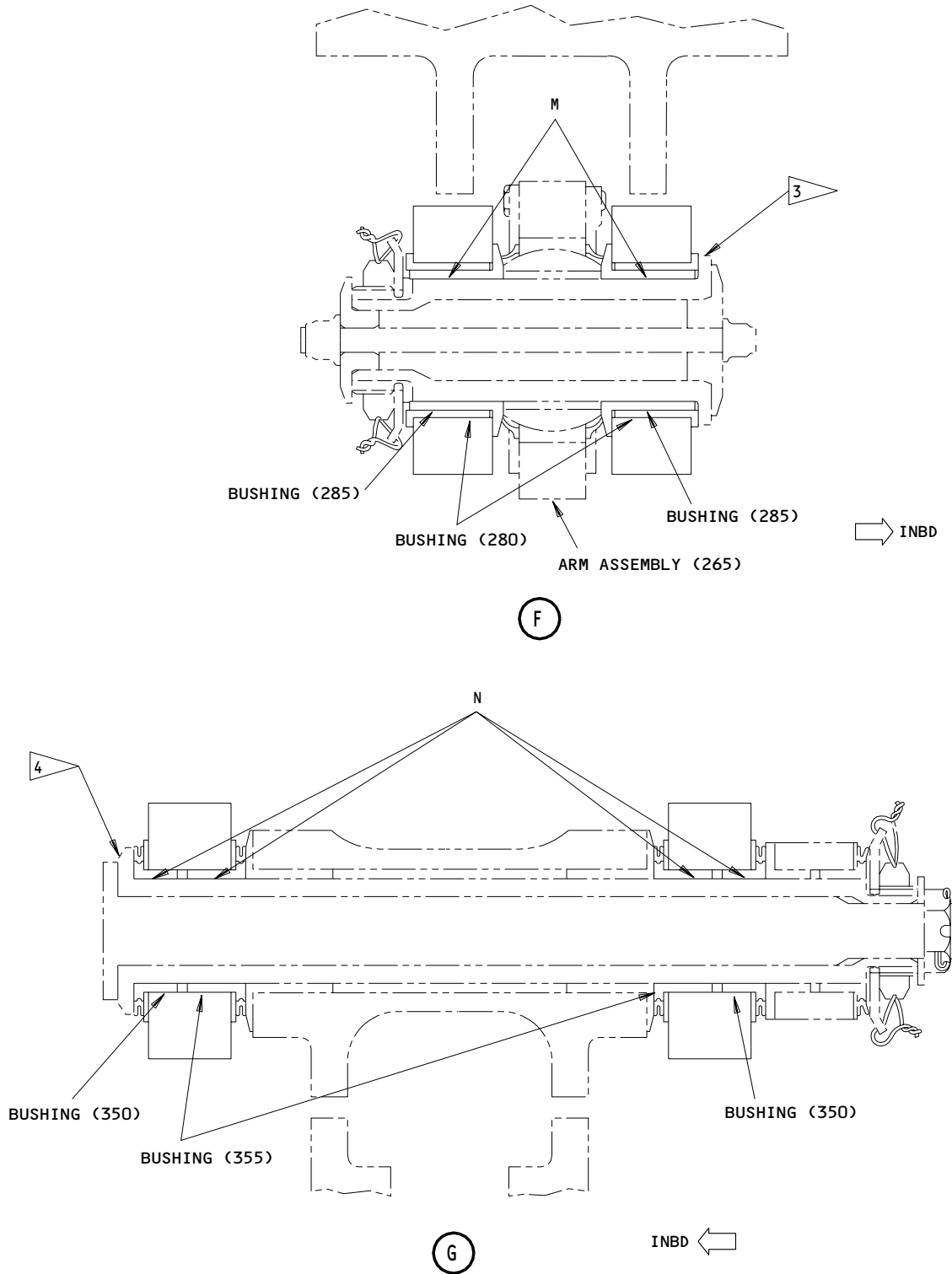
57-53-31



Fits and Clearances
Figure 804 (Sheet 3)

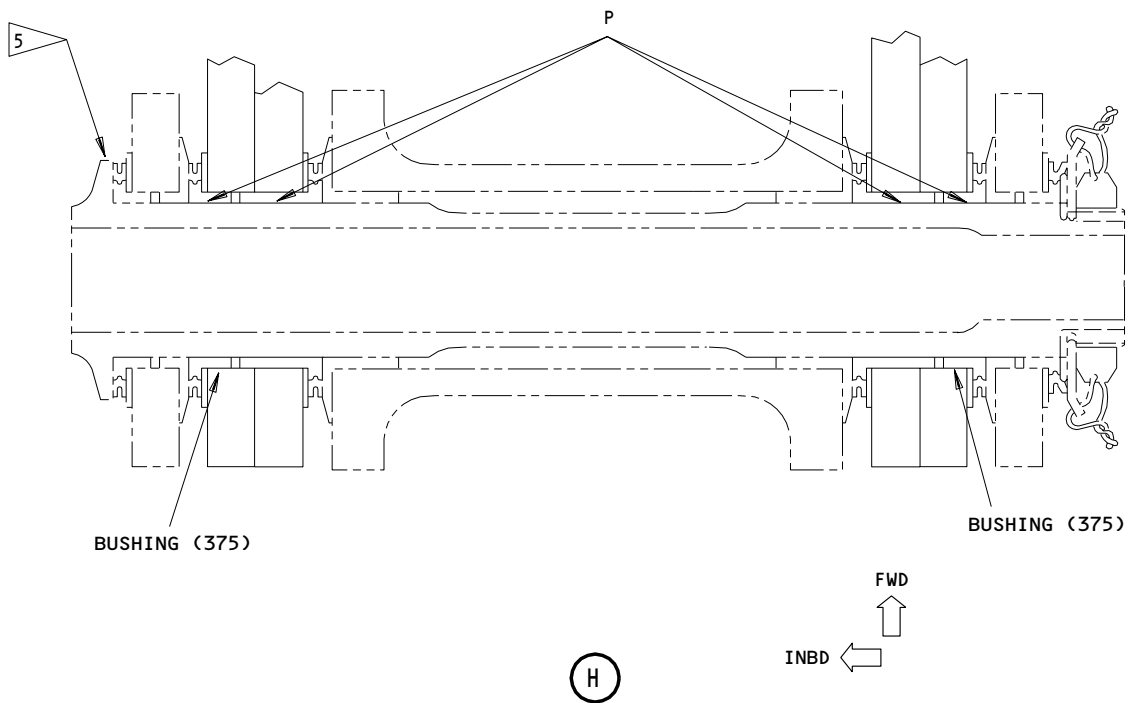
57-53-31

FITS AND CLEARANCES
01.1 Page 823
Mar 01/00



Fits and Clearances
Figure 804 (Sheet 4)

57-53-31


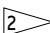



ITEM NUMBERS REFER TO IPL FIG. 6

Fits and Clearances
Figure 804 (Sheet 5)

57-53-31

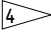

FITS AND CLEARANCES
01.1 Page 825
Mar 01/00

Ref Letter Fig.801	Mating Item No. IPL Fig.6	Design Dimension				Service Wear Limit		
		Dimension		Assembly Clearance		Dimension		Maximum Clearance
		Min	Max	Min	Max	Min	Max	
A	ID 380	2.2514	2.2524	0.0005	0.0024	2.2396	2.2627	0.0118
	OD 40	2.2500	2.2509					
B	ID 50	2.2514	2.2524	0.0005	0.0024	2.2396	2.2627	0.0118
	OD 40	2.2500	2.2509					
C	ID 40	1.4970	1.5000	0.0020	0.0070	1.4886	1.5034	0.0084
	OD 35	1.4930	1.4950					
D	ID 60	1.3684	1.3692	0.0009	0.0027	1.3606	1.3753	0.0078
	OD 	1.3665	1.3675					
E	ID 370	1.3760	1.3770	0.0005	0.0025	1.3682	1.3833	0.0078
	OD 	1.3745	1.3755					
F	ID 255	4.3515	4.3525	0.0005	0.0025	4.3365	4.3660	0.0150
	OD 230	4.3500	4.3510					
G	ID 260	4.7488	4.7504	0.0005	0.0031	4.7338	4.7633	0.0150
	OD 255	4.7473	4.7483					
H	ID 260	4.7488	4.7504	0.0003	0.0029	4.7338	4.7635	0.0150
	OD 230	4.7475	4.7485					
J	ID 265	4.7490	4.7500	0.0005	0.0025	4.7340	4.7635	0.0150
	OD 230	4.7475	4.7485					
K	ID 275	4.3530	4.3540	0.0020	0.0040	4.3380	4.3660	0.0150
	OD 230	4.3500	4.3510					
L	ID 410	6.3445	6.3460	0.0005	0.0032	6.3295	6.3590	0.0150
	OD 260	6.3428	6.3440					
M	ID 285	1.7495	1.7506	0.0005	0.0022	1.7400	1.7585	0.0095
	OD 	1.7484	1.7490					

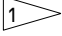
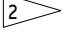
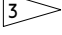
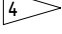

Fits and Clearances
 Figure 804 (Sheet 6)

57-53-31

FITS AND CLEARANCES
 01.1 Page 826
 Mar 01/00

Ref Letter Fig.801	Mating Item No. IPL Fig.6	Design Dimension				Service Wear Limit		
		Dimension		Assembly Clearance		Dimension		Maximum Clearance
		Min	Max	Min	Max	Min	Max	
N	ID 350,355	1.4996	1.5006	0.0006	0.0022	1.4912	1.5074	0.0084
	OD 	1.4984	1.4990					
P	ID 375	1.6245	1.6256	0.0005	0.0022	1.6166	1.6329	0.0089
	OD 	1.6234	1.6240					

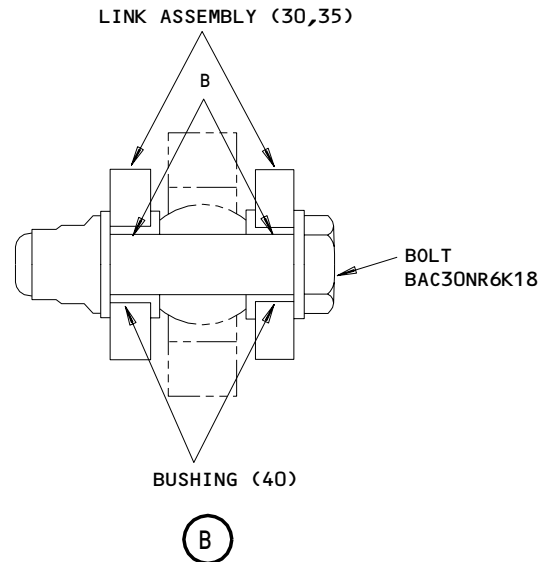
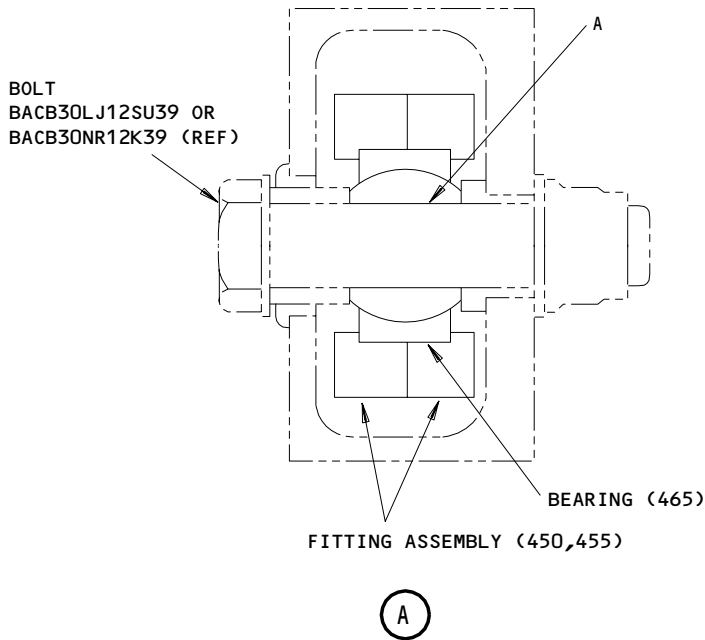
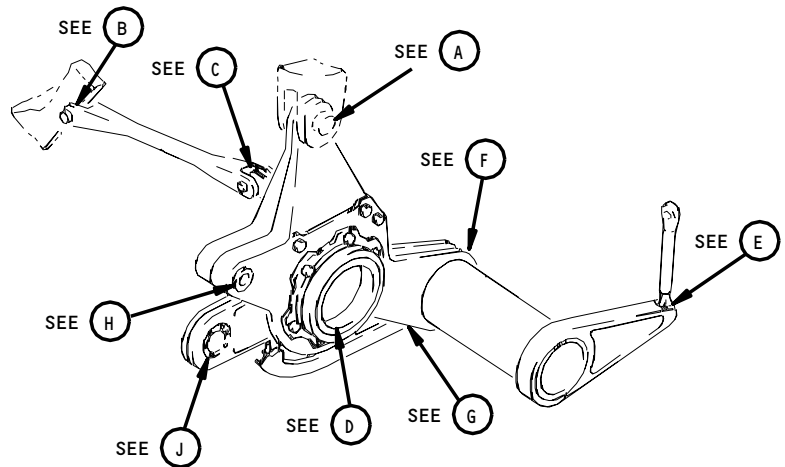
ALL DIMENSIONS ARE IN INCHES

-  INSTALLATION FUSE PIN 113T1266-3 (REF)
-  INSTALLATION PIN, 113T1263-62 (REF)
-  INSTALLATION PIN, 113T1263-3 (REF)
-  INSTALLATION PIN, 113T1263-27 (REF)
-  INSTALLATION PIN, 113T1263-59 (REF)

Fits and Clearances
 Figure 804 (Sheet 7)

57-53-31

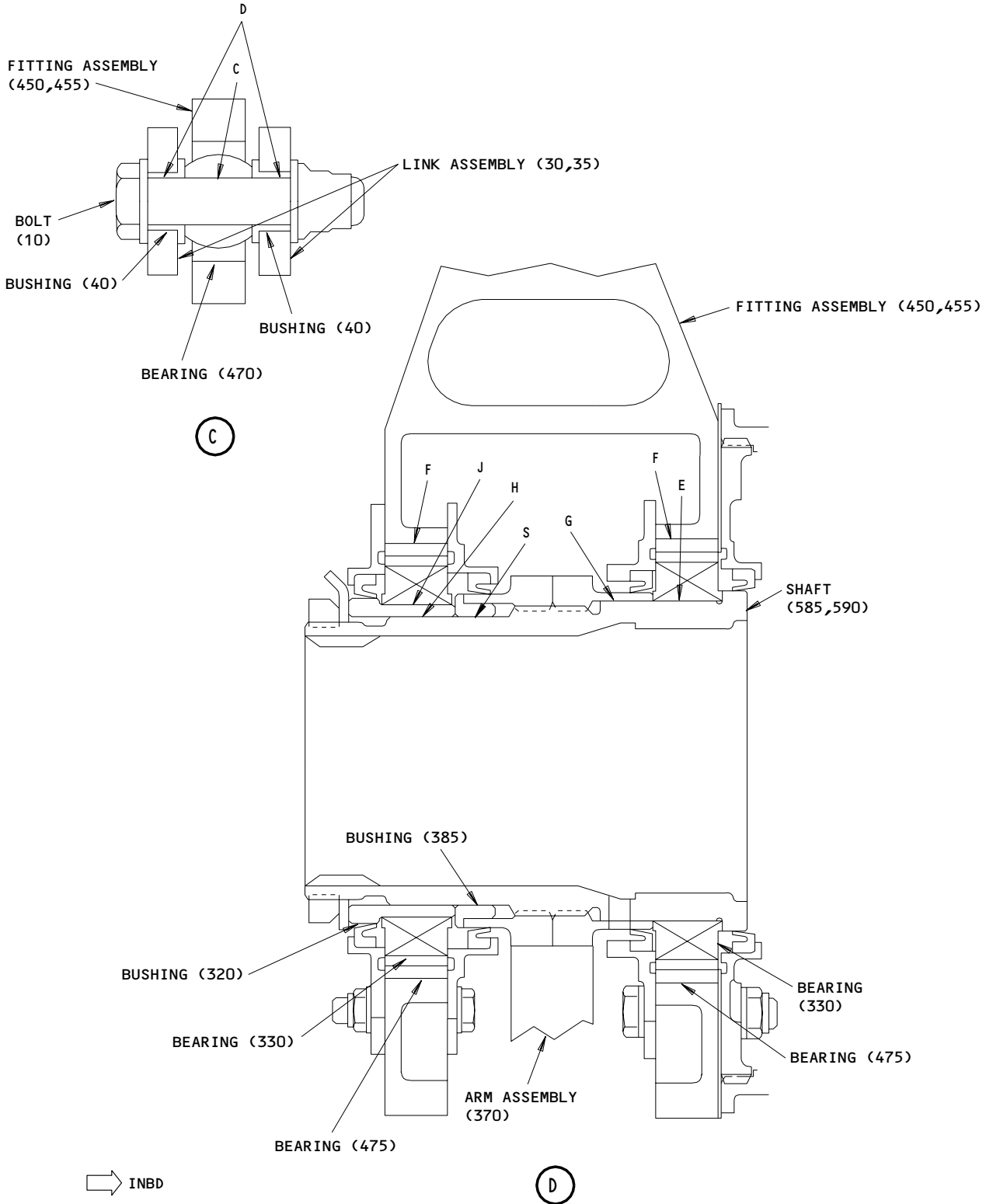
FITS AND CLEARANCES
 01.1 Page 827
 Mar 01/00



Fits and Clearances
 Figure 805 (Sheet 1)

57-53-31

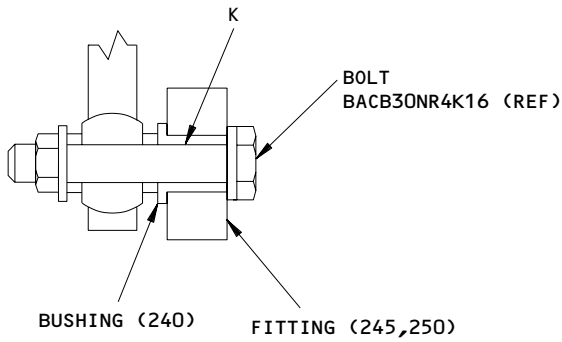
FITS AND CLEARANCES
 01.1 Page 828
 Mar 01/00



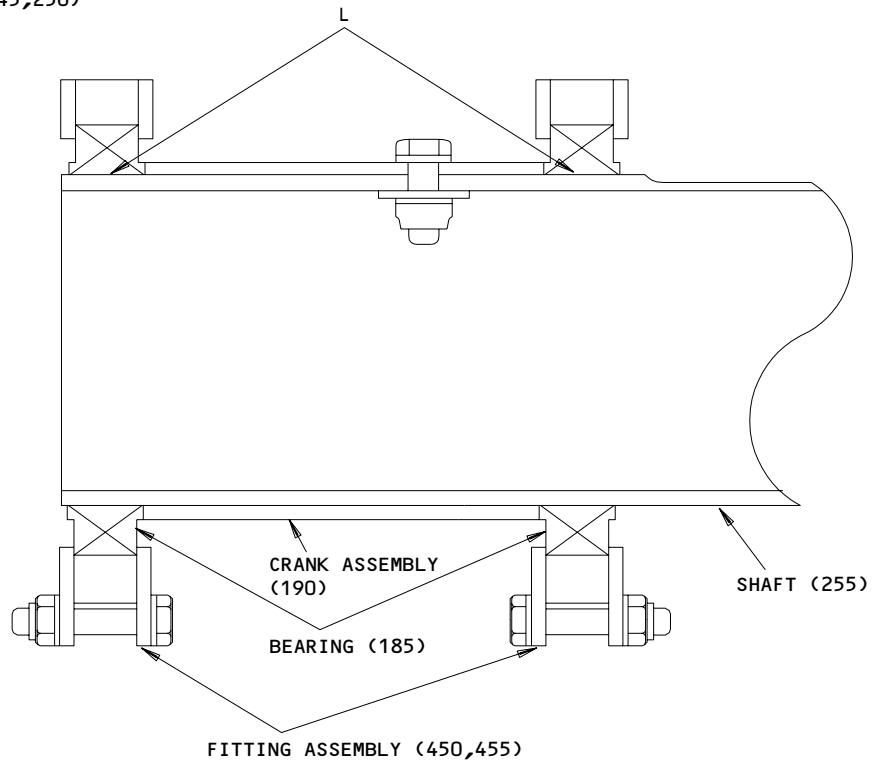
Fits and Clearances
Figure 805 (Sheet 2)

57-53-31

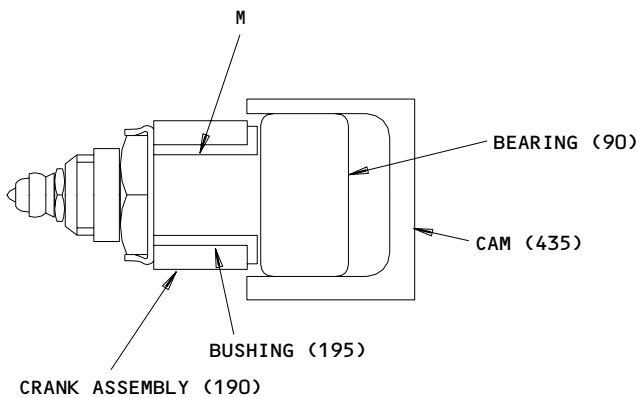
FITS AND CLEARANCES
01.1 Page 829
Mar 01/00



(E)



(F)



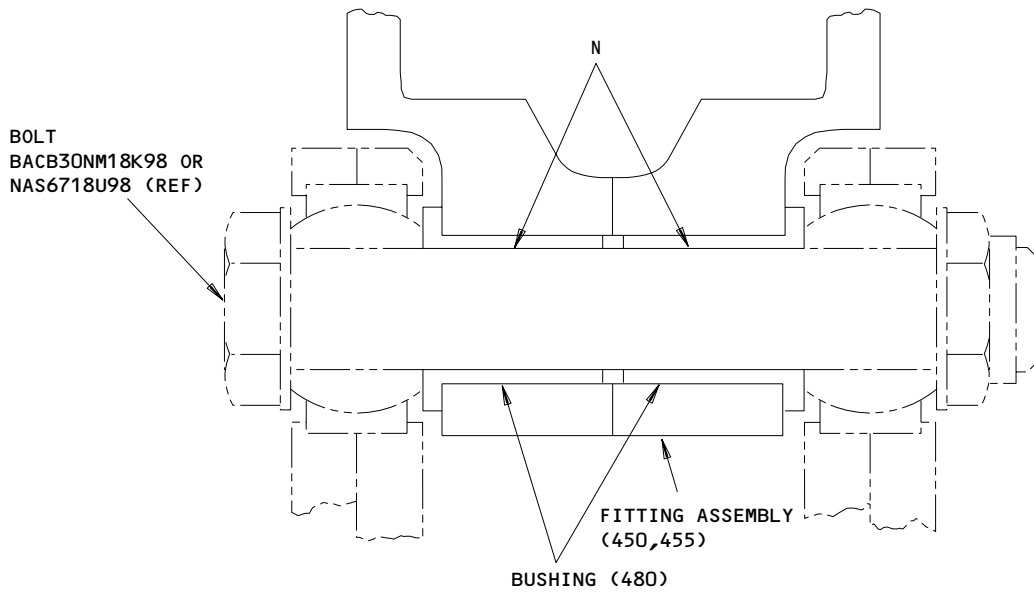
(G)

INBD ←

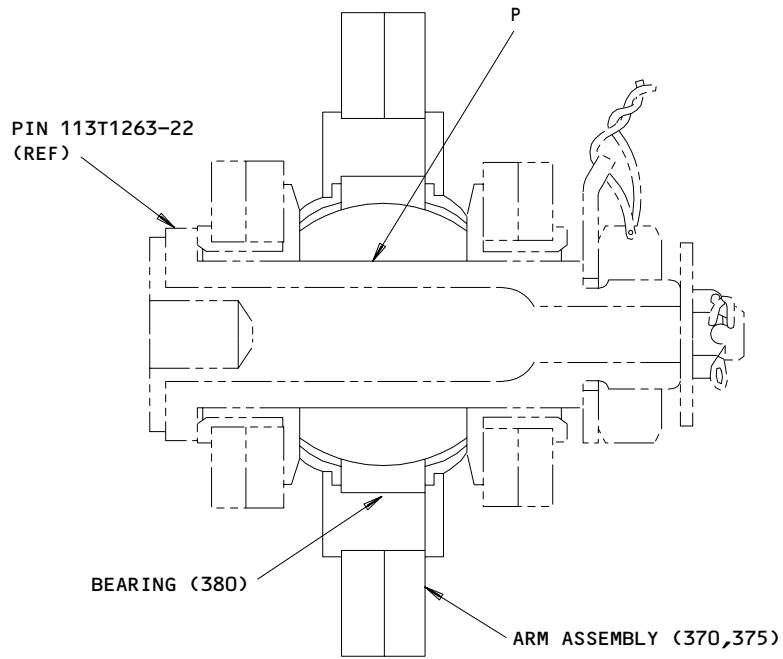
Fits and Clearances
 Figure 805 (Sheet 3)

57-53-31

FITS AND CLEARANCES
 01.1 Page 830
 Mar 01/00



(H)




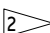

(J)

ITEM NUMBERS REFER TO IPL FIG. 7

Fits and Clearances
Figure 805 (Sheet 4)

57-53-31

FITS AND CLEARANCES
01.1 Page 831
Mar 01/00

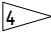

Ref Letter Fig.801	Mating Item No. IPL Fig.7	Design Dimension				Service Wear Limit		
		Dimension		Assembly Clearance		Dimension		Maximum Clearance
		Min	Max	Min	Max	Min	Max	
A	ID 465	0.7500	0.7505	0.0010	0.0025	0.7446	0.7544	0.0054
	OD 	0.7480	0.7490					
B	ID 40	0.3750	0.3756	0.0005	0.0021	0.3700	0.3795	0.0050
	OD 	0.3735	0.3745					
C	ID 470	0.3750	0.3755	0.0005	0.0020	0.3700	0.3795	0.0050
	OD 10	0.3735	0.3745					
D	ID 40	0.3750	0.3756	0.0005	0.0021	0.3700	0.3795	0.0050
	OD 10	0.3735	0.3745					
E	ID 330	4.4988	4.5004	0.0005	0.0031	4.4838	4.5133	0.0150
	OD 585,590	4.4973	4.4983					
F	ID 475	5.6255	5.6270	0.0005	0.0032	5.6105	5.6400	0.0150
	OD 330	5.6238	5.6250					
G	ID 370	4.4980	4.5000	-0.0003	0.0027	4.4830	4.5133	0.0150
	OD 585,590	4.4973	4.4983					
H	ID 320	4.1111	4.1121	0.0005	0.0025	4.0961	4.1256	0.0150
	OD 585,590	4.1096	4.1106					
J	ID 380	4.4988	4.5004	0.0005	0.0031	4.4838	4.5133	0.0150
	OD 320	4.4973	4.4983					
K	ID 240	0.2500	0.2505	0.0005	0.0020	----	----	----
	OD 	0.2485	0.2495					

Fits and Clearances
 Figure 805 (Sheet 5)

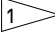
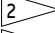

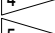
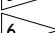

57-53-31

FITS AND CLEARANCES
 01.1 Page 832
 Mar 01/00

BOEING
 COMPONENT
 MAINTENANCE MANUAL

Ref Letter Fig.801	Mating Item No. IPL Fig.7	Design Dimension				Service Wear Limit		
		Dimension		Assembly Clearance		Dimension		Maximum Clearance
		Min	Max	Min	Max	Min	Max	
L	ID 185	2.9359	2.9374	0.0010	0.0025	2.9214	2.9504	0.0145
	OD 255	2.9349	2.9359					
M	ID 195	0.5000	0.5007	0.0000	0.0022	0.4950	0.5050	0.0050
	OD 90	0.4985	0.5000					
N	ID 480	1.1250	1.1257	0.0010	0.0027	1.1200	1.1290	0.0050
	OD 	1.1230	1.1240					
P	ID 380	1.0000	1.0006	0.0010	0.0026	0.9938	1.0052	0.0062
	OD 	0.9980	0.9990					
Q	ID 385	4.1121	4.1131	0.0015	0.0035	4.0971	4.1256	0.0150
	OD 585,590	4.1096	4.1106					

ALL DIMENSIONS ARE IN INCHES

-  1 INSTALLATION BOLT BACB30LJ12SJ39 (REF)
-  2 INSTALLATION BOLT NAS 6718U98 (REF)
-  3 INSTALLATION PIN 113T1263-22 (REF)
-  4 INSTALLATION BOLT BACB30NR6K18 (REF)
-  5 INSTALLATION BOLT BACB30NR4K16 (REF)
-  6 SEE ROUGH

Fits and Clearances
 Figure 805 (Sheet 6)

57-53-31

FITS AND CLEARANCES
 01.1 Page 833
 Mar 01/00

FOR TORQUE VALUES OF STANDARD FASTENERS, REFER TO 20-50-01		
ITEM NO. FIG. 1	NAME	TORQUE
		POUND-INCHES
<u>FIG. 1</u>		
35	Nut	2200-2700
40	Nut	2200-2700
626	Nut	2500-3000
638 (used with bolt 630)	Nut	220-410
638 (used with bolt 632)	Nut	150-250
648 (used with bolt 640B)	Nut	290-510
648 (used with bolt 642)	Nut	260-425
<u>FIG. 3</u>		
15	Nut	2200-2700
18	Nut	2200-2700

Torque Table
 Figure 804 (Sheet 1)

57-53-31

FOR TORQUE VALUES OF STANDARD FASTENERS, REFER TO 20-50-01		
ITEM NO. FIG. 1	NAME	TORQUE
		POUND-INCHES
<u>FIG. 4</u>		
10	Nut	2500-3000
55 (Used with bolt 30,35,40)	Nut	150-250
130 (Used with bolt 110)	Nut	370-690
130 (Used with bolt 115)	Nut	260-425
<u>FIG. 5</u>		
325 (used with shaft 445)	Nut	2500-3000
<u>FIG. 6</u>		
15 (used with bolt 35)	Nut	2200-2700
25 (used with bolt 40)	Nut	2200-2700
85 (used with bolt 70,75)	Nut	150-200

Torque Table
 Figure 804 (Sheet 2)

57-53-31

FITS AND CLEARANCES
 01.1 Page 835
 Jul 01/05

FOR TORQUE VALUES OF STANDARD FASTENERS, REFER TO 20-50-01		
ITEM NO. FIG. 1	NAME	TORQUE
		POUND-INCHES
90 (used with bolt 80)	Nut	260-360
125 (used with bolt 105,110)	Nut	260-425
180 (used with bolt 155,160)	Nut	150-250
220 (used with shaft 230)	Nut	2500-3000
430 (used with bolt 425)	Nut	85-95
515 (used with bolt 510)	Nut	60-80
590 (used with bolt 585)	Nut	85-95
620 (used with bolt 615)	Nut	60-80
655 (used with bolt 650)	Nut	85-95
730 (used with bolt 725)	Nut	60-80

Torque Table
 Figure 804 (Sheet 3)

57-53-31

FITS AND CLEARANCES
 01.1 Page 836
 Jul 01/05



ILLUSTRATED PARTS LIST

1. This section lists and illustrates replaceable or repairable component parts. The Illustrated Parts Catalog contains a complete explanation of the Boeing part numbering system.
2. Indentures show parts relationships as follows:

Assembly

Detail Parts for Assembly

Subassembly

Attaching Parts for Subassembly

Detail Parts for Subassembly

Detail Installation Parts (Included only if installation parts may be returned to shop as part of assembly)

3. One use code letter (A, B, C, etc.) is assigned in the EFF CODE column for each variation of top assembly. All listed parts are used on all top assemblies except when limitations are shown by use code letter opposite individual part entries.
4. Letter suffixes (alpha-variants) are added to item numbers for optional parts, Service Bulletin modification parts, configuration differences (except left- and right-hand parts), product improvement parts, and parts added between two sequential item numbers. The alpha-variant is not shown on illustrations when appearance and location of all variants of the part is the same.
5. Service Bulletin modifications are shown by the notations PRE SB XXXX and POST SB XXXX.
 - A. When a new top assembly part number is assigned by Service Bulletin, the notations appear at the top assembly level only. The configuration differences at detail part level are then shown by use code letter.
 - B. When the top assembly part number is not changed by the Service Bulletin, the notations appear at the detail part level.

6. Parts Interchangeability

Optional
(OPT)

The parts are optional to and interchangeable with other parts having the same item number.

Supersedes, Superseded By
(SUPSDS, SUPSD BY)

The part supersedes and is not interchangeable with the original part.

Replaces, Replaced By
(REPLS, REPLD BY)

The part replaces and is interchangeable with, or is an alternate to, the original part.

57-53-31

ILLUSTRATED PARTS LIST

01 Page 1001

Jul 10/83

VENDORS

S0352 NIPPON MINIATURE BEARING CO LTD
TOKYO, JAPAN

OPTK6 SPS TECHNOLOGIES INC AEROSPACE PRODUCTS DIV
5195 W 4700 SPO BOX 18459
KEARNS, UTAH 84118

06710 LAMSON AND SESSIONS CO THE VALLEY-TODECO
12975 BRADLEY AVENUE
SYLMAR, CALIFORNIA 91342-3830
FORMERLY VALLEY BOLT CORP VB0097 IN NORTH HOLLYWOOD, CA

06725 AIR INDUSTRIES CORPORATION
12570 KNOTT STREET
GARDEN GROVE, CALIFORNIA 92641-3932
FORMERLY AIR INDUSTRIES OF CALIF IN GARDENA, CALIF.

06950 SCREWCORP VSI AEROSPACE PRODUCTS DIV FAIRCHILD IND DIV
13001 EAST TEMPLE AVENUE PO BOX 730
CITY OF INDUSTRY, CALIFORNIA 91746-1417
FORMERLY VB0096 AND VSI CORP SCREWCORP DIV
FORMERLY IN CULVER CITY, CALIFORNIA

07484 ACCURATE BUSHING CO INC
443 NORTH AVENUE
GARWOOD, NEW JERSEY 07027-1014
FORMERLY V83132 SMITH BRG DIV OF ACCURATE BUSHING CO

08524 DEUTSCH FASTENER CORP SEE CODE V97928

10630 ANILLO INDUSTRIES, INCORPORATED
2090 NORTH GLASSELL
ORANGE, CALIFORNIA 92667
FORMERLY WESTERN WASHER DIV OF SENG CO V87487

57-53-31

ILLUSTRATED PARTS LIST
01.1 Page 1002
Nov 01/03

 **BOEING**
COMPONENT
MAINTENANCE MANUALVENDORS

11815 CHERRY AEROSPACE FASTENERS DIV OF TEXTRON
1224 EAST WARNER AVENUE PO BOX 2157
SANTA ANA, CALIFORNIA 92707-0157
FORMERLY IN LOS ANGELES, CALIF, FORMERLY CHERRY FASTENERS
TOWNSEND DIV OF TEXTRON INC V71087

15653 FAIRCHILD FASTENERS KAYNAR PRODUCTS DIV
800 S STATE COLLEGE BLVD
FULLERTON, CALIFORNIA 92831-3001
FORMERLY VK6405 MICRODOT AEROSP LTD; FORMERLY KAYNAR TECH
KAYNAR DIV

15860 NEW HAMPSHIRE BALL BEARINGS, INCORPORATED ASTRO DIVISION
155 LEXINGTON AVENUE
LACONIA, NEW HAMPSHIRE 03246-2937
FORMERLY ASTRO BEARING CORP, LOS ANGELES, CALIF.

16746 SPECLINE INCORPORATED
2230 MOUTON DR
CARSON CITY, NV 89706
FORMERLY IN SUN VALLEY, CAIFORNIA

17446 HUCK INTL INC AEROSPACE FASTENER DIV
900 WATSON CENTER ROAD
CARSON, CALIFORNIA 90745-4201
FORMERLY V32134 REXNORD INC; FORMERLY V97928 HUCK INTL

27238 BRISTOL INDUSTRIES
630 EAST LAMBERT ROAD PO BOX 630
BREA, CALIFORNIA 92621-4119

5M902 FAIRCHILD IND INC FAIRCHILD AEROSPACE FASTENER DIV
3016 W LOMITA BLVD
TORRANCE, CALIFORNIA 90505-5103
FMLY IN REDONDO BEACH, CALIF

57-53-31ILLUSTRATED PARTS LIST
01.1 Page 1003
Nov 01/03

VENDORS

50294 NEW HAMPSHIRE BALL BEARINGS INC
9727 DESOTO AVE PO BOX 2515
CHATSWORTH, CALIFORNIA 91311-4323
FORMERLY NIPPON MINATURE BEARING CORP V23589 AND NMB
AMERICA INC AND NMB INC

50632 KAMATICS CORP SUB OF KAMAN CORP
1335 BLUE HILLS ROAD
BLOOMFIELD, CONNECTICUT 06002-1304

52828 REPUBLIC FASTENER MFG CORP
1300 RANCHO CONEJO BLVD
NEWBURY PARK, CALIFORNIA 91320-1405
FORMERLY IN SYLMAR, CALIFORNIA

56878 SPS TECHNOLOGIES INC AEROSPACE AND INDUSTRIAL PRODUCTS DIV
HIGHLAND AVENUE
JENKINTOWN, PENNSYLVANIA 19046
FORMERLY STANDARD PRESSED STEEL

60380 TORRINGTON CO BEARINGS DIV SUBSIDIARY OF INGERSOLL-RAND CORP
59 FIELD STREET PO BOX 1008
TORRINGTON, CONNECTICUT 06790-1008
FORMERLY TORRINGTON BEARING COMPANY

60516 WEST COAST AEROSPACE INC
812 MIRAFLORES STREET
SAN PEDRO, CALIFORNIA 90731-1439

62554 SIMMONDS MECAERO FASTENERS INC
1734 SEQUOIA AVENUE
ORANGE, CALIFORNIA 92668

72962 HARVARD INDUSTRIES INC
3 WERNER WAY SUITE 210
LEBANON, NEW JERSEY 08833
FORMERLY AMERACE CORP ESNA DIV
FORMERLY ELASTIC STOP NUT IN UNION, NJ

73134 ROLLER BEARING COMPANY OF AMER DBA HEIM BEARINGS DIV
60 ROUND HILL RD
FAIRFIELD, CONNECTICUT 06430-0000
FORMERLY INCOM INTL HEIM DIV; HEIM UNIVERSAL CORP INCOM;
FORMERLY HEIM DIV INCOM INTL; IMO IND HEIM BEARINGS DIV

57-53-31

ILLUSTRATED PARTS LIST
01.1 Page 1004
Nov 01/03


BOEING
 COMPONENT
 MAINTENANCE MANUAL
VENDORS

73197 HI-SHEAR TECHNOLOGY CORP
 2600 SKYPARK DRIVE
 TORRANCE, CALIFORNIA 90509

77896 REXNORD INC BEARING OPERATION
 2400 CURTIS STREET
 DOWNERS GROVE, ILLINOIS 60515-4005
 FORMERLY SHAEFER BEARING DIV REX CHAINBELT
 FORMERLY REX CHAINBELT INC BEARING DIV.

80539 SPS TECHNOLOGIES INC AEROSPACE PRODUCTS DIV
 2701 SOUTH HARBOR BOULEVARD PO BOX 1259
 SANTA ANA, CALIFORNIA 92702-1259
 FORMERLY NUTT-SHEL DIV OF SPC WESTERN CO V80539
 AND STANDARD PRESSED STEEL WESTERN DIV V17279

81376 SMITH ACQUISITION COMPANY
 2240 BUENA VISTA
 BALDWIN PARK, CALIFORNIA 91706

85495 BRILES MFG CO SEE OMARK INDUSTRIES
 PRECISION FASTENING SUB OF OMARK IND INC SEE DEUTSCH
 FASTENER CORP V08524
 OMARK INDUSTRIES SEE PRECISION FASTENING

9N513 VOI SHAN/CHATSWORTH DIV OF VSI CORP SUB OF FAIRCHILD IND
 CHATSWORTH, CALIFORNIA 91311-5013
 COMPANY NO LONGER WISHES TO BE CONSIDERED FOR FED CONTRCTG

92215 FAIRCHILD IND INC FAIRCHILD AEROSPACE FASTENER DIV
 3010 W LOMITA BLVD
 TORRANCE, CALIFORNIA 90505-5102
 FORMERLY VOI-SHAN IN CULVER CITY, CALIF

92563 MCGILL MFG CO INC BEARINGS DIV
 909 LAFAYETTE STREET
 VALPARAISO, INDIANA 46383-4210

97613 SARGENT CONTROLS & AEROSPACE/KAHR BEARING DIV
 5675 W BURLINGAME RD
 TUCSON, ARIZONA 85743
 FORMERLY AETNA STEEL PROD KAHR BEARING DIV V96579
 FORMERLY SARGENT IND KAHR BEARING DIV, BURBANK, CALIFORNIA

97928 SEE V17446 HUCK INTL
 HUCK INTL SEE V17446 HUCK INTL
 SEE V17446 HUCK INTL

57-53-31

 ILLUSTRATED PARTS LIST
 01.1 Page 1005
 Nov 01/03

PART NUMBER	AIRLINE PART NO.	FIG.	ITEM	TTL REQ
ABS16-101		5	155B	1
		7	380	1
ADNE4-334NWO		5	55D	1
ADW04V301NC		1	240	2
		3	159	2
		6	465	2
ADW06V301NC		2	165	1
		7	470	1
ADW12-301NC		2	160	1
		7	465	1
AN960D10L		1	340	4
		3	300	4
AN960PD416		5	240	3
		5	242	3
ARNM4-101KM		5	55C	1
AS15001-1		3	54B	1
AS46-5		3	43	20
AS46-6		3	49	4
BACB10FA04GC		1	240	2
		3	159	2
		6	465	2
BACB10FA06GC		2	165	1
		7	470	1
BACB10FA12C		2	160	1
		7	465	1
BACB28AK04-033		5	30	1
BACB28AM06B014A		5	80	1
BACB28AM06B024		1	526	1
		3	459	1
BACB28AP04P013		5	85	1
BACB28AP04P024		1	528	1
		3	462	1
		6	400	1
BACB28AP04P037		5	110	3
		7	240	3
BACB28AP06P020		2	20	4
		7	40	4
BACB28AP08P056		5	250	1
		7	195	1
BACB28AP18P150		2	170	2
		7	480	2
BACB28AT06B024C		6	405	1
BACB28X4M015		6	445	1
BACB30LJ3K17		5	465	2
		7	105	2
BACB30LJ4U15		5	10	1

57-53-31

 ILLUSTRATED PARTS LIST
 01.1 Page 1006
 Nov 01/03


BOEING
 COMPONENT
 MAINTENANCE MANUAL

PART NUMBER	AIRLINE PART NO.	FIG.	ITEM	TTL REQ
BACB30LJ6SU18		2	10G	2
BACB30LR3P8		5	135	6
		7	390	6
BACB30LR6-27		1	632	1
		4	40A	1
BACB30LR7-29		1	642	4
		4	115A	4
BACB30MB8A3		5	162A	1
		7	410A	1
BACB30MB8A4		5	160	7
		5	162	1
		7	410	1
		7	415	7
BACB30MB8A6		5	165	1
		7	420	1
BACB30MR4K15		1	195	2
		3	102	2
		6	890	1
BACB30MR4K17		6	885	1
BACB30MR5K12		3	276B	2
		3	278A	2
BACB30MR5K18		1	175	4
		3	90	4
		6	860	2
BACB30MR5K19		6	855	1
BACB30MR5K20		6	865	1
BACB30MR5K32		1	173	2
		3	87	2
BACB30MR6K28		1	630	2
		4	30	2
		6	155	2

57-53-31

 ILLUSTRATED PARTS LIST
 01.1 Page 1007
 Nov 01/03

PART NUMBER	AIRLINE PART NO.	FIG.	ITEM	TTL REQ
BACB30MR6K30		1	631A	3
		4	35	3
		6	160	3
BACB30MR6K40		1	380	6
		3	369	6
BACB30MR7K18		1	155	2
		3	75	2
BACB30MR7K18		6	835	1
		6	830	1
BACB30MR7K19		1	640B	10
		4	110	10
		6	105	10
BACB30MR7K29		1	400	2
		3	381	2
		1	135	1
BACB30MR8K40		3	63	1
		6	910	1
		1	331	6
BACB30MR9K141		3	272	6
		3	273A	4
		3	274J	2
BACB30MY10K10		3	278	2
		1	332	2
		3	279	2
BACB30MY10K11		5	425	2
		1	330	2
BACB30MY10K22		3	271	2
		5	425A	2
BACB30MY10K9		1	315	3
		3	261	3
BACB30MY12K21		1	280	8
		1	281G	6
BACB30MY6K2		1	320	3
		1	564	10
BACB30MY6K3		3	231	8
		3	234A	6
		3	264	3
		3	516	10
		3		

57-53-31

 ILLUSTRATED PARTS LIST
 01.1 Page 1008
 Nov 01/03


BOEING
 COMPONENT
 MAINTENANCE MANUAL

PART NUMBER	AIRLINE PART NO.	FIG.	ITEM	TTL REQ
BACB30MY6K4		1	285	4
		1	576	4
		1	588	6
		3	237	4
		3	540	4
		3	561	6
		3	574	2
BACB30MY6K5		1	587	6
		3	537	2
		3	558	6
		3	589	6
BACB30MY6K6		1	564	6
		3	564	6
BACB30MY6K7		1	281A	6
		1	565	2
BACB30MY6K7		1	590	10
		3	519	2
		3	567	10
BACB30MY8K4		1	305	2
		1	463	119
		3	252	2
		3	427	119
BACB30MY8K5		1	357G	3
		1	600	3
		3	336	3
		3	588	3
BACB30MY8K6		1	467	6
		3	426	6
BACB30MY8K8		1	307	2
		1	466	6
		3	255	2
		3	423	6

57-53-31

 ILLUSTRATED PARTS LIST
 01.1 Page 1009
 Nov 01/03

PART NUMBER	AIRLINE PART NO.	FIG.	ITEM	TTL REQ
BACB30MY8K9		1	305A	2
BACB30NM3K7		5	96	3
		7	205	3
BACB30NM4K14		5	200	6
		7	145	6
BACB30NM4K5		5	235	3
		7	150	3
BACB30NM4K7		5	96A	3
		5	235C	3
BACB30NM6K18		7	10	1
BACB30NM6K21		5	345	6
		7	260	6
BACB30NM6K79		2	35	1
		7	505	1
BACB30NM7K21		5	290	6
BACB30NM8K78		2	120	1
BACB30NM8K79		2	55	1
		7	485	2
BACB30NN6K27		4	40	1
		6	165	1
BACB30NN7K29		4	115	4
		6	110	4
BACB30NR4K12		1	682A	2
		4	195A	2
		6	290	2
BACB30NR6K14		5	448	1
BACB30NR6K14		7	55	1
BACB30NR6K18		2	10H	2
BACB30NR6K23		5	449	1
		7	60	1
BACB30NW8K10		1	277	5
		3	225	5
BACB30NW8K4		1	273	8
		3	216	8
BACB30NW8K6		1	275	38
		3	219	38
BACB30NW8K8		1	276	2
		3	222	2
BACB30NX10K11		1	430	10
		3	399	10
BACB30NX10K16		3	41	8
		6	75	8

57-53-31

 ILLUSTRATED PARTS LIST
 01.1 Page 1010
 Nov 01/03


BOEING
 COMPONENT
 MAINTENANCE MANUAL

PART NUMBER	AIRLINE PART NO.	FIG.	ITEM	TTL REQ
BACB30NX10K18		1	80	20
		3	42	20
BACB30NX10K19		1	435	4
		3	402	4
BACB30NX10K20		3	42A	20
		3	44	4
		6	70	4
BACB30NX10K21		2	100A	2
		7	555A	2
BACB30NX12K18		1	85	4
		3	48	4
BACB30NX12K19		3	47	4
		6	80	4
BACB30NX12K20		3	48A	4
BACB30NX12K26		1	420A	4
		3	393	4
BACB30NX8K10		3	291A	2
		6	645	2
BACB30NX8K11		6	425	7
BACB30NX8K12		1	450	14
		3	414	14
BACB30NX8K4		1	219	2
		1	445	8
		3	135	2
		3	408	8
BACB30NX8K5		6	585	2
BACB30NX8K6		1	447	2
		3	411	2
BACB30NX8K8		1	455	19
BACB30NX8K8		3	417	19
BACB30NX8K9		1	230	4
		1	335	2
		1	350	2
		3	153	4
		3	291	2
		3	321	2
		6	650	2

57-53-31

 ILLUSTRATED PARTS LIST
 01.1 Page 1011
 Nov 01/03

PART NUMBER	AIRLINE PART NO.	FIG.	ITEM	TTL REQ
BACB30US5K11		6	755	1
BACB30US5K12		3	276C	2
		6	765	1
BACB30US5K31		6	735	2
BACB30UU7K23		7	335	6
BACB30VT6K4		6	960	6
BACB30VT8K4		6	725	3
BACB30VT8K5		6	510	3
		6	615	3
BACB30VT8K6		6	950	2
BACB30VT8K9		6	955	2
BACB30YK10K10		6	760	1
BACB30YK10K11		6	770	1
BACB30YL10K10		6	800	2
BACB30YL10K11		6	795	3
BACB30YL10K12		6	810	1
BACB30YL10K9		6	805	2
BACC30BH10S		7	560A	2
BACC30CP10C		6	790	2
BACC30CQ10C		6	815	8
BACC30M10		1	333	10
		3	274L	2
		3	282	10
		3	283	4
		3	284	2
		5	430	2
BACC30M6		1	290	18
		1	325	6
		1	566	12
		1	578	6
		1	591	28
		3	240	18
		3	267	6
		3	522	12
		3	543	6
		3	570	28

57-53-31

 ILLUSTRATED PARTS LIST
 01.1 Page 1012
 Nov 01/03


BOEING
 COMPONENT
 MAINTENANCE MANUAL

PART NUMBER	AIRLINE PART NO.	FIG.	ITEM	TTL REQ	
BACC30M8		1	278	53	
		1	310	4	
		1	358G	3	
		1	468	131	
		1	602	3	
		3	228	53	
		3	258	4	
		3	339	3	
		3	429	131	
		3	591	3	
	BACC30X10		1	82	20
			1	440	14
			3	45	20
		3	405	14	
BACC30X10S		2	112	2	
BACC30X12		1	87	4	
		1	425	4	
BACC30X8		3	51	4	
		3	396	4	
		1	220	2	
		1	235	4	
		1	337	2	
		1	352	2	
		1	460	43	
		3	138	2	
		3	156	4	
		3	294	2	
		3	324	2	
		3	420	43	
		5	170A	9	
	7	425	9		

57-53-31

 ILLUSTRATED PARTS LIST
 01.1 Page 1013
 Nov 01/03

PART NUMBER	AIRLINE PART NO.	FIG.	ITEM	TTL REQ
BACC30Z8PB		5	170	9
BACF3F008V010NN		1	560	1
		3	510	1
BACF3F010J027DE		3	319	1
BACF3F011V012NN		1	584	1
		3	552	1
BACN10GF12A02C		1	570	1
		3	534	1
BACN10GF12048C		3	534A	1
BACN10GW4AS		1	210	2
		3	111	2
BACN10GW5AS		1	190	6
		3	99	6
		3	277B	2
BACN10GW5AS		3	284A	2
BACN10GW6AS		1	395	6
		3	378	6
BACN10GW7AS		1	170	2
		3	84	2
BACN10GW8AS		1	415	2
		3	390	2
BACN10GW9AS		1	150	1
		3	72	1
BACN10HR5CD		3	277C	2
		6	750	2
		6	785	2
BACN10JC3CD		5	99N	3
		5	480	2
		7	120	2
		7	220	3
BACN10JC4		1	684B	2
		4	200A	2
		5	215	6
		5	245	3
BACN10JC4CD		1	684C	2
		4	200B	2
		5	99P	3
		5	245D	3
		6	300A	2
		7	170	9
BACN10JC6		5	360	6
BACN10JC6CD		5	453	2
		7	75	2
BACN10JC7		5	305	6
BACN10JC8		5	270	1

57-53-31

 ILLUSTRATED PARTS LIST
 01.1 Page 1014
 Nov 01/03


BOEING
 COMPONENT
 MAINTENANCE MANUAL

PART NUMBER	AIRLINE PART NO.	FIG.	ITEM	TTL REQ
BACN10JC8CD		7	80	1
BACN10JD120AU		1	35	1
		3	15	1
		6	15	1
BACN10JN3		1	223	2
		1	253	2
		1	267	2
		1	268	3
		1	269	3
		3	144	2
		3	177	2
BACN10JN3		3	204	2
		3	207	3
		6	495	4
		6	555	2
		6	575	3
		6	605	2
BACN10JP3A		1	344J	1
		3	312B	1
BACN10JP3B		1	344G	1
		3	312	1
		6	680	1
BACN10KB3		1	344H	1
		3	312A	1
		6	680A	1
BACN10MT5		3	45A	20
BACN10MT6		3	51A	4
BACN10YT10		2	112A	2
BACN10YT5CD		3	46	12
		6	85	12
BACN10YT6CD		3	52	4
		6	90	4
BACN10YT8CD		6	430	7
		6	590	2
		6	655	4
BACN10ZV6		6	970	6
BACN10ZV8		6	515	3
		6	620	3
		6	730	3
		6	965	4

57-53-31

ILLUSTRATED PARTS LIST

01.1

Page 1015

Nov 01/03

PART NUMBER	AIRLINE PART NO.	FIG.	ITEM	TTL REQ
BACN11P3B6		6	420	1
BACP18BC04A20P		3	6A	1
		6	10	1
BACR15BA3AD		1	222A	4
		1	252	4
		1	263	4
		1	265	6
		1	266	6
		3	141	4
		3	174	4
		3	198	4
		3	201	6
		6	490	8
		6	550	4
		6	570	6
		6	600	4
BACR15BA3AD		6	675	2
BACR15BA3ADC		6	415	2
BACR15BA3AD3		1	572	2
		3	531	2
BACR15BB3AD		1	344	2
		3	309	2
BACR15BB6AD		5	95	3
BACR15FT10KE		5	70	3
BACR15FT5AD		2	82	2
		7	535	2
BACR15FT6AD		1	261	3
		1	359	2
		3	192	3
		3	342	2
		6	475	4
		6	525	2
		6	540	5
		6	630	2
BACR15FT6D		1	250	2
		1	262	2
		3	171	2
		3	195	2
BACS4OR011C032F		3	507B	1
BACS4OR08C09F		1	568	2
		3	525	2
BACS4OR11C12F		1	585A	1
		3	555	1
BACS4OR11E27F		1	558A	1

57-53-31

 ILLUSTRATED PARTS LIST
 01.1 Page 1016
 Nov 01/03


BOEING
 COMPONENT
 MAINTENANCE MANUAL

PART NUMBER	AIRLINE PART NO.	FIG.	ITEM	TTL REQ
BACS40R12C103F		1	604A	1
		3	594	1
BACS40R15C149F		1	522	1
		3	456	1
BACS40R15C15F		1	594	2
		3	579	2
BACS40R8C10F		1	561	1
		3	513	1
BACS53B1EA1		1	339	2
		3	296	2
		6	685	2
BACW10AU5		3	43	20
BACW10AU6		3	49	4
BACW10BP3AC		5	97	3
		5	470	2
		7	110	2
BACW10BP3AP		5	99	3
		5	475	2
		7	115	2
BACW10BP3CD		7	210	3
BACW10BP3DP		7	215	3
BACW10BP4AC		1	200	2
		3	105	2
BACW10BP4AP		5	15	1
		5	97A	3
		5	205	6
		5	240D	3
		1	205	2
		1	683	4
		3	108	2
		4	197	4
		5	20	1
		5	99A	3
		5	210	6
5	242C	3		
6	295	4		

57-53-31

ILLUSTRATED PARTS LIST

01.1

Page 1017

Nov 01/03

PART NUMBER	AIRLINE PART NO.	FIG.	ITEM	TTL REQ
BACW10BP4CD		3	105A	2
		6	895	2
		7	155	6
BACW10BP4DP		3	108A	2
		6	900	2
		7	160	6
BACW10BP5AC		1	180	6
		3	93	6
		3	276P	2
		3	280	2
BACW10BP5AP		1	185	6
		3	96	6
		3	276T	2
		3	281	2
		3	93A	6
BACW10BP5CD		3	276Q	2
		6	740	2
		6	775	2
		6	870	4
		3	96A	6
		3	276U	2
BACW10BP5DP		6	745	2
		6	780	2
		6	875	4
		1	385	6
		1	634	5
		2	11	2
		3	372	6
BACW10BP6AC BACW10BP6AC		4	45	5
		5	350	6
		5	451	2

57-53-31

 ILLUSTRATED PARTS LIST
 01.1 Page 1018
 Nov 01/03


BOEING
 COMPONENT
 MAINTENANCE MANUAL

PART NUMBER	AIRLINE PART NO.	FIG.	ITEM	TTL REQ
BACW10BP6AP		1	390	6
		1	636	6
		2	11G	2
		3	375	6
		4	50	6
		5	355	6
BACW10BP6CD		5	452	2
		2	40	1
		3	372A	6
		6	170	5
		7	15	1
		7	65	2
BACW10BP6DP		7	265	6
		7	510	1
		2	45	1
		3	375A	6
		6	175	6
		7	20	1
BACW10BP7AC		7	70	2
		7	270	6
		7	515	1
		1	160	2
		1	644	10
		3	78	2
BACW10BP7AP		4	120	10
		5	295	6
		1	165	2
		1	646	14
		3	81	2
		4	125	14
BACW10BP7CD		5	300	6
		3	78A	2
		6	115	10
		6	840	2
		7	340	6
		7	340	6
BACW10BP7DP		3	81A	2
		6	120	14
		6	845	2
		7	345	6
		7	345	6
		7	345	6

57-53-31

ILLUSTRATED PARTS LIST

01.1

Page 1019

Nov 01/03

PART NUMBER	AIRLINE PART NO.	FIG.	ITEM	TTL REQ
BACW10BP8AC		1	405	2
		3	384	2
BACW10BP8AP		1	410	2
		3	387	2
BACW10BP8CD		2	60	1
		2	125	1
		3	384A	2
		7	490	2
BACW10BP8DP		2	65	1
		2	130	1
		3	387A	2
		7	495	2
BACW10BP9AC		1	140	1
		3	66	1
BACW10BP9AP		1	145	1
		3	69	1
BACW10BP9CD		3	66A	1
		6	915	1
BACW10BP9DP		3	69A	1
		6	920	1
BACW10EC3S		6	705	2
BH00303CM5		3	277C	2
		6	750	2
		6	785	2
BLN16-2021		5	155B	1
		7	380	1
BLP16F243		5	155B	1
		7	380	1
BMN10HRCWD3-5		3	277C	2
		6	750	2
		6	785	2
BMN4122AD3-8		5	270	1
BMN4122CPD8-8		7	80	1
BMN5024CWD35		3	277C	2
		6	750	2
		6	785	2
BRFM20A3		1	223	2
		1	253	2
		1	267	2
		1	268	3
		1	269	3

57-53-31

 ILLUSTRATED PARTS LIST
 01.1 Page 1020
 Nov 01/03


BOEING
 COMPONENT
 MAINTENANCE MANUAL

PART NUMBER	AIRLINE PART NO.	FIG.	ITEM	TTL REQ	
BRFM20A3		3	144	2	
		3	177	2	
		3	204	2	
		3	207	3	
		6	495	4	
		6	555	2	
		6	575	3	
		6	605	2	
	BRH10A4		1	684B	2
			4	200A	2
		5	215	6	
		5	245	3	
		5	360	6	
BRH10A6		5	305	6	
	BRH10A7	5	99N	3	
BRH10C3D		5	480	2	
		7	120	2	
BRH10C4D		7	220	3	
		1	684C	2	
		4	200B	2	
		5	99P	3	
		5	245D	3	
		6	300A	2	
		7	170	9	
BRH10C6D		5	453	2	
		7	75	2	
BRM100A3		1	344G	1	
		3	312	1	
		6	680	1	
BRM200A3		1	344J	1	
		3	312B	1	
BR1000A3		1	344H	1	
		3	312A	1	
		6	680A	1	

57-53-31

 ILLUSTRATED PARTS LIST
 01.1 Page 1021
 Nov 01/03

PART NUMBER	AIRLINE PART NO.	FIG.	ITEM	TTL REQ
B30MY10K10		1	331	6
		3	278	2
B30MY10K11		1	332	2
		3	279	2
B30MY10K22		5	425	2
B30MY10K9		1	330	2
B30MY6K2		1	315	3
		3	261	3
B30MY6K3		1	280	8
		1	281G	6
		1	320	3
		1	564	10
		3	231	8
		3	234A	6
		3	264	3
		3	516	10
		1	285	4
		1	576	4
B30MY6K4		1	588	6
		3	237	4
		3	540	4
		3	561	6
		1	574	2
B30MY6K5		1	587	6
		3	537	2
		3	558	6
B30MY6K7		1	281A	6
		1	565	2
		1	590	10
		3	519	2
		3	567	10

57-53-31

 ILLUSTRATED PARTS LIST
 01.1 Page 1022
 Nov 01/03


BOEING
 COMPONENT
 MAINTENANCE MANUAL

PART NUMBER	AIRLINE PART NO.	FIG.	ITEM	TTL REQ
B30MY8K4		1	305	2
		1	463	119
		3	252	2
		3	427	119
B30MY8K5		1	357G	3
		1	600	3
		3	336	3
		3	588	3
B30MY8K6		1	467	6
		3	426	6
B30MY8K8		1	307	2
		1	466	6
		3	255	2
		3	423	6
B30MY8K9		1	305A	2
B30NW8K10		1	277	5
		3	225	5
B30NW8K4		1	273	8
		3	216	8
B30NW8K6		1	275	38
		3	219	38
B30NW8K8		1	276	2
B30NW8K8		3	222	2
B8942CL		1	672B	2
		4	105	1
		4	180	1
		6	260	2
CR1XBC189		5	280B	1
		7	90A	1
CR60305		3	277C	2
		6	750	2
		6	785	2
		5	265A	2
DAT72-90A1-501		7	330A	2
		6	800	2
HLT420AP10-10		6	800	2
HLT420AP10-11		6	795	3
HLT420AP10-12		6	810	1

57-53-31

 ILLUSTRATED PARTS LIST
 01.1 Page 1023
 Nov 01/03

PART NUMBER	AIRLINE PART NO.	FIG.	ITEM	TTL REQ
HLT420AP10-9		6	805	2
HLT422AP10-10		6	760	1
HLT422AP10-11		6	770	1
HL10VAZ10-10		1	331	6
		3	272	6
		3	273A	4
		3	274J	2
		3	278	2
HL10VAZ10-11		1	332	2
		3	279	2
HL10VAZ10-22		5	425	2
HL10VAZ10-9		1	330	2
		3	271	2
HL10VAZ12-21		5	425A	2
HL10VAZ6-2		1	315	3
		3	261	3
HL10VAZ6-3		1	280	8
HL10VAZ6-3		1	281G	6
		1	320	3
		1	564	10
		3	231	8
		3	234A	6
		3	264	3
		3	516	10
HL10VAZ6-4		1	285	4
		1	576	4
		1	588	6
		3	237	4
		3	540	4
		3	561	6
HL10VAZ6-5		1	574	2
		1	587	6
		3	537	2
		3	558	6
HL10VAZ6-6		1	589	6
		3	564	6
HL10VAZ6-7		1	281A	6
		1	565	2
		1	590	10
		3	519	2
		3	567	10

57-53-31

 ILLUSTRATED PARTS LIST
 01.1 Page 1024
 Nov 01/03


BOEING
 COMPONENT
 MAINTENANCE MANUAL

PART NUMBER	AIRLINE PART NO.	FIG.	ITEM	TTL REQ
HL10VAZ8-4		1	305	2
		1	463	119
		3	252	2
		3	427	119
HL10VAZ8-5		1	357G	3
		1	600	3
		3	336	3
		3	588	3
HL10VAZ8-6		1	467	6
		3	426	6
HL10VAZ8-8		1	307	2
		1	466	6
		3	255	2
		3	423	6
HL10VAZ8-9		1	305A	2
HL1012AZ10-11		1	430	10
		3	399	10
HL1012AZ10-16		3	41	8
		6	75	8
HL1012AZ10-18		1	80	20
		3	42	20
HL1012AZ10-19		1	435	4
		3	402	4
HL1012AZ10-20		3	42A	20
		3	44	4
		6	70	4
		2	100A	2
HL1012AZ10-21		7	555A	2
HL1012AZ12-18		1	85	4
		3	48	4
HL1012AZ12-19		3	47	4
		6	80	4

57-53-31

 ILLUSTRATED PARTS LIST
 01.1 Page 1025
 Nov 01/03

PART NUMBER	AIRLINE PART NO.	FIG.	ITEM	TTL REQ
HL1012AZ12-20		3	48A	4
HL1012AZ12-26		1	420A	4
		3	393	4
HL1012AZ8-10		3	291A	2
		6	645	2
HL1012AZ8-11		6	425	7
HL1012AZ8-12		1	450	14
		3	414	14
HL1012AZ8-4		1	219	2
		1	445	8
		3	135	2
		3	408	8
HL1012AZ8-5		6	585	2
HL1012AZ8-6		1	447	2
		3	411	2
HL1012AZ8-8		1	455	19
		3	417	19
HL1012AZ8-9		1	230	4
		1	335	2
		1	350	2
		3	153	4
		3	291	2
		3	321	2
		6	650	2
HL1087DU10		7	560A	2
HL11VAZ8-10		1	277	5
		3	225	5
HL11VAZ8-4		1	273	8
		3	216	8
HL11VAZ8-6		1	275	38
		3	219	38
HL11VAZ8-8		1	276	2
		3	222	2
HL1187-10		1	82	20
		1	440	14
		3	45	20
		3	405	14

57-53-31

 ILLUSTRATED PARTS LIST
 01.1 Page 1026
 Nov 01/03


BOEING
 COMPONENT
 MAINTENANCE MANUAL

PART NUMBER	AIRLINE PART NO.	FIG.	ITEM	TTL REQ
HL1187-12		1	87	4
		1	425	4
		3	51	4
HL1187-12		3	396	4
		1	220	2
HL1187-8		1	235	4
		1	337	2
		1	352	2
		1	460	43
		3	138	2
		3	156	4
		3	294	2
		3	324	2
		3	420	43
		5	170A	9
		7	425	9
HL1187DU10		2	112	2
HL12VAZ12-26		1	420A	4
		3	393	4
HL12VAZ10-11		1	430	10
		3	399	10
HL12VAZ10-16		3	41	8
		6	75	8
		1	80	20
HL12VAZ10-18		3	42	20
		1	435	4
HL12VAZ10-19		3	402	4
		3	42A	20
HL12VAZ10-20		3	44	4
		6	70	4
		2	100A	2
HL12VAZ10-21		7	555A	2
		1	85	4
HL12VAZ12-18		3	48	4
		3	47	4
HL12VAZ12-19		3	47	4
		6	80	4

57-53-31

 ILLUSTRATED PARTS LIST
 01.1 Page 1027
 Nov 01/03

PART NUMBER	AIRLINE PART NO.	FIG.	ITEM	TTL REQ
HL12VAZ12-20		3	48A	4
HL12VAZ12-26		1	420A	4
		3	393	4
HL12VAZ8-10		3	291A	2
		6	645	2
HL12VAZ8-11		6	425	7
HL12VAZ8-12		1	450	14
		3	414	14
HL12VAZ8-4		1	219	2
		1	445	8
		3	135	2
		3	408	8
HL12VAZ8-5		6	585	2
HL12VAZ8-6		1	447	2
		3	411	2
HL12VAZ8-8		1	455	19
		3	417	19
HL12VAZ8-9		1	230	4
		1	335	2
		1	350	2
		3	153	4
		3	291	2
		3	321	2
		6	650	2
HL448UC8-3		5	162A	1
		7	410A	1
HL448UC8-4		5	160	7
		5	162	1
		7	410	1
		7	415	7
HL448UC8-6		5	165	1
HL448UC8-6		7	420	1
HL79-10		1	333	10
		3	274L	2
		3	282	10
		3	283	4
		3	284	2
		5	430	2

57-53-31

 ILLUSTRATED PARTS LIST
 01.1 Page 1028
 Nov 01/03


BOEING
 COMPONENT
 MAINTENANCE MANUAL

PART NUMBER	AIRLINE PART NO.	FIG.	ITEM	TTL REQ		
HL79-6		1	290	18		
		1	325	6		
		1	566	12		
		1	578	6		
		1	591	28		
		3	240	18		
		3	267	6		
		3	522	12		
		3	543	6		
		3	570	28		
		HL79-8		1	278	53
				1	310	4
				1	358G	3
				1	468	131
1	602			3		
3	228			53		
3	258			4		
3	339			3		
3	429			131		
3	591			3		
HL87-10				1	82	20
		1	440	14		
		3	45	20		
		3	405	14		
HL87-12		1	87	4		
		1	425	4		
		3	51	4		
		3	396	4		
HL87-8		1	220	2		
		1	235	4		
		1	337	2		
		1	352	2		
		1	460	43		
		3	138	2		
		3	156	4		
		3	294	2		
		3	324	2		
		3	420	43		
		5	170A	9		
7	425	9				

57-53-31

 ILLUSTRATED PARTS LIST
 01.1 Page 1029
 Nov 01/03

PART NUMBER	AIRLINE PART NO.	FIG.	ITEM	TTL REQ
HL87DU10		2	112	2
HST10AG6-4		6	960	6
HST10AG8-4		6	725	3
HST10AG8-5		6	510	3
		6	615	3
HST10AG8-6		6	950	2
HST10AG8-9		6	955	2
H10-4BAC		1	684B	2
		4	200A	2
		5	215	6
		5	245	3
H10-6BAC		5	360	6
H10-7BAC		5	305	6
H10-8BAC		5	270	1
H19700P5		3	45A	20
H19700P6		3	51A	4
H51560-5		3	277C	2
		6	750	2
		6	785	2
H51650-3BAC		5	99N	3
		5	480	2
		7	120	2
		7	220	3
H51650-4BAC		1	684C	2
		4	200B	2
		5	99P	3
		5	245D	3
		6	300A	2
		7	170	9
H51650-6BAC		5	453	2
		7	75	2
H51650-8BAC		7	80	1
KSC152200BZ04GC		1	240	2
		3	159	2
		6	465	2

57-53-31

 ILLUSTRATED PARTS LIST
 01.1 Page 1030
 Nov 01/03


BOEING
 COMPONENT
 MAINTENANCE MANUAL

PART NUMBER	AIRLINE PART NO.	FIG.	ITEM	TTL REQ
KSC152200BZ06GC		2	165	1
		7	470	1
KSC152200BZ12C		2	160	1
		7	465	1
KWDB04-35		1	240	2
		3	159	2
		6	465	2
KWDB06-35		2	165	1
		7	470	1
KWDB12-34		2	160	1
		7	465	1
K19701P5		3	43	20
K19701P6		3	49	4
K2000-3		1	344H	1
		3	312A	1
		6	680A	1
LHCB16BA		5	155B	1
		7	380	1
L8006K6		1	589	6
		3	564	6
L802-10K11		1	430	10
		3	399	10
L802-10K16		3	41	8
		6	75	8
L802-10K18		1	80	20
		3	42	20
L802-10K19		1	435	4
		3	402	4
L802-10K20		3	42A	20
		3	44	4
		6	70	4

57-53-31

 ILLUSTRATED PARTS LIST
 01.1 Page 1031
 Nov 01/03

PART NUMBER	AIRLINE PART NO.	FIG.	ITEM	TTL REQ
L802-10K21		2	100A	2
		7	555A	2
L802-12K18		1	85	4
		3	48	4
L802-12K19		3	47	4
		6	80	4
L802-12K20		3	48A	4
L802-12K26		1	420A	4
L802-12K26		3	393	4
L802-8K10		3	291A	2
		6	645	2
L802-8K11		6	425	7
L802-8K12		1	450	14
		3	414	14
L802-8K4		1	219	2
		1	445	8
		3	135	2
		3	408	8
L802-8K5		6	585	2
L802-8K6		1	447	2
		3	411	2
L802-8K8		1	455	19
		3	417	19
L802-8K9		1	230	4
		1	335	2
		1	350	2
		3	153	4
		3	291	2
		3	321	2
		6	650	2
L803-8K10		1	277	5
		3	225	5
L803-8K4		1	273	8
		3	216	8
L803-8K6		1	275	38
		3	219	38

57-53-31

 ILLUSTRATED PARTS LIST
 01.1 Page 1032
 Nov 01/03


BOEING
 COMPONENT
 MAINTENANCE MANUAL

PART NUMBER	AIRLINE PART NO.	FIG.	ITEM	TTL REQ
L803-8K8		1	276	2
		3	222	2
MF1000-3BAC		1	223	2
		1	253	2
		1	267	2
		1	268	3
		1	269	3
		3	144	2
		3	177	2
		3	204	2
		3	207	3
		6	495	4
		6	555	2
		6	575	3
		6	605	2
		MF53049-3		1
1	253			2
1	267			2
1	268			3
1	269			3
3	144			2
3	177			2
3	204			2
3	207			3
6	495			4
6	555			2
6	575			3
6	605			2
MK1000-3BAC				1
		3	312B	1
MK2000-3BAC		1	344G	1
		3	312	1
		6	680	1

57-53-31

 ILLUSTRATED PARTS LIST
 01.1 Page 1033
 Nov 01/03

PART NUMBER	AIRLINE PART NO.	FIG.	ITEM	TTL REQ
MSESKO4FBDF		5	55C	1
MSSRRSKLO4FB		5	40A	1
MSSRRSKO4FBDF		5	55C	1
MS15001-1		1	90	1
		1	598	4
		1	661	2
		2	155	3
		3	54	1
		3	585	4
		4	90	1
		4	145	1
		5	285	1
		5	385	1
		5	410	1
		6	65	1
		6	340	2
		7	305	2
		7	460	3
MS15001-3		6	140	1
MS15001-3		6	205	1
		6	345	2
MS24665-379		1	20	1
		3	6	1
MS27111-5		5	275	1
		7	85	1
MS35338-43		1	342	2
		3	303	2
MS35650-305T		1	343B	2
		3	306A	2
		6	710	2
NAS1149D0316H		6	700	4
NAS1149D0463J		5	240E	3
		5	242D	3
		7	165	6
NAS1801-3-12		1	338	2
		3	297	2
		6	695	2

57-53-31

 ILLUSTRATED PARTS LIST
 01.1 Page 1034
 Nov 01/03


BOEING
 COMPONENT
 MAINTENANCE MANUAL

PART NUMBER	AIRLINE PART NO.	FIG.	ITEM	TTL REQ
NAS1804-4		5	25	1
NAS1804-6		2	11N	2
		2	50	1
NAS1804-8		2	70	1
		2	132	1
NAS1805-4L		6	905	2
NAS1805-5L		6	880	4
NAS1805-6		1	638	6
		4	55	6
NAS1805-6L		2	50A	1
		6	180	6
		7	25	1
		7	275	6
		7	520A	1
NAS1805-7		1	648	14
		4	130	14
NAS1805-7L		6	125	14
		6	850	2
		7	350	6
NAS1805-8L		2	70A	1
		2	132A	1
		7	500A	2
NAS1805-9L		6	925	1
NAS509-6		5	60	1
NAS509L6		5	45	1
NAS513-6		5	50	2
NS103184-02		6	680A	1
NS103197-02		1	344J	1
		3	312B	1
NS103198-02		1	344G	1
		3	312	1
		6	680	1
NS103218-02		1	223	2
		1	253	2
		1	267	2
		1	268	3
		1	269	3
		3	144	2
		3	177	2
		3	204	2
		3	207	3
		6	495	4
		6	555	2
		6	575	3
		6	605	2

57-53-31

 ILLUSTRATED PARTS LIST
 01.1 Page 1035
 Nov 01/03

PART NUMBER	AIRLINE PART NO.	FIG.	ITEM	TTL REQ
NS202101-048		1	684B	2
		4	200A	2
		5	215	6
		5	245	3
		5	99N	3
NS202486-02		5	480	2
		7	120	2
		7	220	3
		7	684C	2
NS202486-048		4	200B	2
		5	99P	3
		5	245D	3
		6	300A	2
		7	170	9
		1	344J	1
		3	312B	1
RMA9201M3		1	344G	1
		3	312	1
RMA9207-3		6	680	1
		1	223	2
		1	253	2
RMF9201M3		1	267	2
		1	268	3
		1	269	3
RMF9201M3		3	144	2
		3	177	2
		3	204	2
		3	207	3
		6	495	4
		6	555	2
		6	575	3
		6	605	2

57-53-31

 ILLUSTRATED PARTS LIST
 01.1 Page 1036
 Nov 01/03


BOEING
 COMPONENT
 MAINTENANCE MANUAL

PART NUMBER	AIRLINE PART NO.	FIG.	ITEM	TTL REQ
RMLH9074-8		5	270	1
RMLH9075-4W		1	684B	2
		4	200A	2
		5	215	6
		5	245	3
RMLH9075-6		5	360	6
RMLH9075-7		5	305	6
SB1135		4	180A	1
SB1136		1	672C	2
		4	105A	1
		6	260A	2
SB1137		5	225	2
		7	185	2
SL7108C5		3	277C	2
		6	750	2
		6	785	2
SL7108C524		3	277C	2
		6	750	2
		6	785	2
SWKRS04-350SC		1	240	2
		3	159	2
		6	465	2
SWKRS06-350SC		2	165	1
		7	470	1
SWKRS12-350C		7	465	1
S012T235-104-70		5	55D	1
S012T235-104-78		5	40A	1
S012T235-104-79		5	55C	1
TLN1020-5N		3	45A	20
TLN1020-6N		3	51A	4
TLN1020L5W		3	43	20
TLN1020L6W		3	49	4
T6C1032JCD		5	99N	3
T6C1032JCD		5	480	2
		7	120	2
		7	220	3
T6C428JCD		1	684C	2
		4	200B	2
		5	99P	3
		5	245D	3
		6	300A	2
		7	170	9

57-53-31

 ILLUSTRATED PARTS LIST
 01.1 Page 1037
 Nov 01/03

PART NUMBER	AIRLINE PART NO.	FIG.	ITEM	TTL REQ
T6S428J		1	684B	2
		4	200A	2
		5	215	6
		5	245	3
		5	245	3
T8076S1032		1	344J	1
		3	312B	1
T8077S1032		1	344G	1
		3	312	1
		6	680	1
T8109S1032		1	344H	1
		3	312A	1
		6	680A	1
T8124S3S		6	495	4
		6	555	2
		6	575	3
		6	605	2
		6	605	2
VCU0005D5		3	277C	2
		6	750	2
		6	785	2
VNS1924CA1-8		1	339	2
		3	296	2
		6	685	2
VNS1924CA3-1-8		1	339	2
		3	296	2
		6	685	2
VN101A1-02		1	344H	1
		3	312A	1
		6	680A	1
VN201A1-02		1	344G	1
		3	312	1
		6	680	1

57-53-31

 ILLUSTRATED PARTS LIST
 01.1 Page 1038
 Nov 01/03


BOEING
 COMPONENT
 MAINTENANCE MANUAL

PART NUMBER	AIRLINE PART NO.	FIG.	ITEM	TTL REQ
VN202A1-02		1	344J	1
VN202A1-02		3	312B	1
VN252A02		1	223	2
		1	253	2
		1	267	2
		1	268	3
		1	269	3
		3	144	2
		3	177	2
		3	204	2
		3	207	3
		6	495	4
		6	555	2
		6	575	3
		6	605	2
VN303A048		1	684B	2
		4	200A	2
		5	215	6
		5	245	3
WC4488-3		5	162A	1
		7	410A	1
WC4488-4		5	160	7
		5	162	1
		7	410	1
		7	415	7
WC4488-6		5	165	1
		7	420	1
WES04FAGC		1	240	2
		3	159	2
		6	465	2
WES06FAGC		2	165	1
		7	470	1

57-53-31

ILLUSTRATED PARTS LIST

01.1

Page 1039

Nov 01/03

PART NUMBER	AIRLINE PART NO.	FIG.	ITEM	TTL REQ
WHTFA04VC		1	240	2
		3	159	2
		6	465	2
WHTFA06VC		2	165	1
		7	470	1
WHTFA12C		2	160	1
		7	465	1
WRRS12FAC		2	160	1
		7	465	1
102LH9031-5		3	277C	2
		6	750	2
		6	785	2
102LH90315		3	277C	2
		6	750	2
		6	785	2
102LH9074-8		7	80	1
		5	99N	3
102LH9075-3W		5	480	2
		7	120	2
		7	220	3
		1	684C	2
		4	200B	2
102LH9075-4W		5	99P	3
		5	245D	3
		6	300A	2
		7	170	9
		1	10H	RF
		2	1H	RF
		1	15H	RF
113T1200-102		2	5H	RF
		1	10J	RF
113T1200-109		2	1J	RF
		1	15J	RF
113T1200-110		2	5J	RF
		1	1V	RF
113T1200-117		3	1S	RF
		1	5W	RF
113T1200-118		3	3S	RF

57-53-31

 ILLUSTRATED PARTS LIST
 01.1 Page 1040
 Nov 01/03


BOEING
 COMPONENT
 MAINTENANCE MANUAL

PART NUMBER	AIRLINE PART NO.	FIG.	ITEM	TTL REQ
113T1200-139		1	1W	RF
		3	1T	RF
113T1200-140		1	5X	RF
		3	3T	RF
113T1200-143		1	1X	RF
		3	1U	RF
113T1200-144		1	5Y	RF
		3	3U	RF
113T1200-15		1	10A	RF
		2	1A	RF
113T1200-155		1	1Y	RF
		3	1V	RF
113T1200-156		1	5Z	RF
		3	3V	RF
113T1200-159		1	1Z	RF
		3	1W	RF
113T1200-16		1	15A	RF
		2	5A	RF
113T1200-160		1	6	RF
		3	3W	RF
113T1200-17		1	10B	RF
		2	1B	RF
113T1200-18		1	15B	RF
		2	5B	RF
113T1200-19		1	1B	RF
113T1200-20		1	5B	RF
113T1200-23		1	1D	RF
		3	1A	RF
113T1200-24		1	5D	RF
		3	3A	RF
113T1200-241		1	3	RF
		6	1A	RF
113T1200-242		1	8	RF
		6	5	RF
113T1200-245		1	3A	RF
		6	1B	RF
113T1200-246		1	8A	RF
		6	5A	RF
113T1200-249		1	3B	RF
		6	1C	RF
113T1200-250		1	8B	RF
		6	5B	RF

57-53-31

ILLUSTRATED PARTS LIST

01.1

Page 1041

Nov 01/03

PART NUMBER	AIRLINE PART NO.	FIG.	ITEM	TTL REQ
113T1200-29		1	1E	RF
		3	1B	RF
113T1200-30		1	5E	RF
		3	3B	RF
113T1200-321		1	4	RF
		7	1A	RF
113T1200-322		1	9	RF
		7	5	RF
113T1200-33		1	1F	RF
		3	1C	RF
113T1200-34		1	5G	RF
		3	3C	RF
113T1200-43		1	1H	RF
		3	1E	RF
113T1200-44		1	5J	RF
		3	3E	RF
113T1200-45		1	10E	RF
		2	1E	RF
113T1200-46		1	15E	RF
		2	5E	RF
113T1200-5001		1	95	1
113T1200-5002		1	100	1
113T1200-5003		1	95A	1
113T1200-5004		1	100A	1
113T1200-5011		1	95B	1
113T1200-5012		1	100B	1
113T1200-5014		1	100E	1
113T1200-5016		1	100C	1
113T1200-5018		1	100D	1
113T1200-51		1	1J	RF
		3	1F	RF
113T1200-52		1	5K	RF
		3	3F	RF

57-53-31

 ILLUSTRATED PARTS LIST
 01.1 Page 1042
 Nov 01/03


BOEING
 COMPONENT
 MAINTENANCE MANUAL

PART NUMBER	AIRLINE PART NO.	FIG.	ITEM	TTL REQ
113T1200-53		1	1K	RF
		3	1G	RF
113T1200-54		1	5L	RF
		3	3G	RF
113T1200-55		1	10F	RF
		2	1F	RF
113T1200-56		1	15F	RF
		2	5F	RF
113T1200-57		1	1L	RF
		3	1H	RF
113T1200-58		1	5M	RF
		3	3H	RF
113T1200-59		1	1M	RF
		3	1J	RF
113T1200-60		1	5N	RF
		3	3J	RF
113T1200-61		1	1T	RF
		3	1Q	RF
113T1200-62		1	5U	RF
		3	3Q	RF
113T1200-65		1	1N	RF
		3	1K	RF
113T1200-66		1	5P	RF
		3	3K	RF
113T1200-67		1	1P	RF
		3	1L	RF
113T1200-68		1	5Q	RF
		3	3L	RF
113T1200-71		1	1Q	RF
		3	1M	RF
113T1200-72		1	5R	RF
		3	3M	RF
113T1200-73		1	1R	RF
113T1200-73		3	1N	RF
113T1200-74		1	5S	RF
		3	3N	RF

57-53-31

 ILLUSTRATED PARTS LIST
 01.1 Page 1043
 Nov 01/03

PART NUMBER	AIRLINE PART NO.	FIG.	ITEM	TTL REQ
113T1200-75		1	1S	RF
		3	1P	RF
113T1200-76		1	5T	RF
		3	3P	RF
113T1200-85		1	1U	RF
		3	1R	RF
113T1200-86		1	5V	RF
		3	3R	RF
113T1200-97		1	10G	RF
		2	1G	RF
113T1200-98		1	15G	RF
		2	5G	RF
113T1210-1		5	445	1
		7	585	1
113T1210-2		5	446	1
		7	590	1
113T1215-1		5	125	1
113T1215-10		5	185A	1
113T1215-11		5	190A	1
113T1215-12		5	195A	1
113T1215-13		5	125B	1
		7	370	1
113T1215-14		5	130B	1
		7	375	1
113T1215-15		5	180B	1
		7	430A	1
113T1215-16		5	185B	1
		7	435A	1
113T1215-17		5	190B	1
		7	440A	1
113T1215-18		5	195B	1
		7	445A	1
113T1215-19		5	125C	1
113T1215-2		5	130	1
113T1215-20		5	130C	1
113T1215-21		5	180C	1
113T1215-22		5	185C	1
113T1215-23		5	190C	1

57-53-31

 ILLUSTRATED PARTS LIST
 01.1 Page 1044
 Nov 01/03


BOEING
 COMPONENT
 MAINTENANCE MANUAL

PART NUMBER	AIRLINE PART NO.	FIG.	ITEM	TTL REQ
113T1215-24		5	195C	1
113T1215-25		5	125D	1
113T1215-26		5	130D	1
113T1215-27		5	180D	1
		7	430	1
113T1215-28		5	185D	1
		7	435	1
113T1215-29		5	190D	1
		7	440	1
113T1215-3		5	180	1
113T1215-30		5	195D	1
		7	445	1
113T1215-31		5	180E	1
113T1215-32		5	185E	1
113T1215-33		5	190E	1
113T1215-34		5	195E	1
113T1215-4		5	185	1
113T1215-5		5	190	1
113T1215-6		5	195	1
113T1215-7		5	125A	1
113T1215-8		5	130A	1
113T1215-9		5	180A	1
113T1227-1		1	678	1
		4	185	1
113T1227-10		1	694A	1
		4	225A	1
113T1227-11		1	696A	1
		4	230A	1
113T1227-12		1	698A	1
		4	235A	1
113T1227-13		1	678C	1
		4	185C	1
		6	265	1
113T1227-14		1	680C	1
		4	190C	1
		6	270	1
113T1227-15		1	692B	1
		4	220B	1
113T1227-15		6	315	1
113T1227-16		1	694B	1
		4	225B	1
		6	320	1
113T1227-17		1	696B	1
		4	230B	1
		6	305	1

57-53-31

 ILLUSTRATED PARTS LIST
 01.1 Page 1045
 Nov 01/03

PART NUMBER	AIRLINE PART NO.	FIG.	ITEM	TTL REQ
113T1227-18		1	698B	1
		4	235B	1
		6	310	1
113T1227-19		4	185D	1
113T1227-2		1	680	1
		4	190	1
113T1227-20		4	190D	1
113T1227-21		1	692C	1
		4	220C	1
		6	315A	1
113T1227-22		1	694C	1
		4	225C	1
		6	320A	1
113T1227-23		1	696C	1
		4	230C	1
		6	305A	1
113T1227-24		1	698C	1
		4	235C	1
		6	310A	1
113T1227-3		1	678A	1
		4	185A	1
113T1227-4		1	680A	1
		4	190A	1
113T1227-5		1	692	1
		4	220	1
113T1227-6		1	694	1
		4	225	1
113T1227-7		1	696	1
		4	230	1
113T1227-8		1	698	1
		4	235	1

57-53-31

 ILLUSTRATED PARTS LIST
 01.1 Page 1046
 Nov 01/03


BOEING
 COMPONENT
 MAINTENANCE MANUAL

PART NUMBER	AIRLINE PART NO.	FIG.	ITEM	TTL REQ
113T1227-9		1	692A	1
		4	220A	1
113T1228-1		1	674	1
		4	20	1
113T1228-1		6	230	1
113T1228-2		1	676	1
		4	25	1
		6	235	1
113T1231-1		2	25	1
113T1231-10		2	30B	1
		7	455	1
113T1231-11		2	135A	1
		7	565A	1
113T1231-12		2	140A	1
		7	570A	1
113T1231-13		2	145A	1
		7	575A	1
113T1231-14		2	150A	1
		7	580A	1
113T1231-15		2	135C	1
		7	565	1
113T1231-16		2	140C	1
		7	570	1
113T1231-17		2	145C	1
		7	575	1
113T1231-18		2	150C	1
		7	580	1
113T1231-2		2	30	1
113T1231-3		2	135	1
113T1231-4		2	140	1
113T1231-5		2	145	1
113T1231-6		2	150	1
113T1231-7		2	25A	1

57-53-31

 ILLUSTRATED PARTS LIST
 01.1 Page 1047
 Nov 01/03

PART NUMBER	AIRLINE PART NO.	FIG.	ITEM	TTL REQ
113T1231-8		2	30A	1
113T1231-9		2	25B	1
		7	450	1
113T1234-1		2	10	1
		7	35	1
113T1234-2		2	15	1
		7	50	1
113T1234-3		2	8	1
		7	30	1
113T1234-4		2	12	1
		7	45	1
113T1239-1		5	435	1
113T1239-2		5	440	1
113T1240-10		1	582	1
		3	549	1
113T1240-103		3	57R	1
113T1240-104		3	60S	1
113T1240-105		3	274	1
113T1240-106		3	275	1
113T1240-109		3	57S	1
113T1240-11		1	596	1
		3	582	1
113T1240-110		3	60T	1
113T1240-113		3	57T	1
113T1240-114		3	60U	1
113T1240-115		3	57U	1
113T1240-116		3	60V	1
113T1240-117		3	270A	2
113T1240-119		3	275A	1
113T1240-120		3	546A	1
113T1240-122		3	573A	1
113T1240-123		3	57V	1
113T1240-124		3	60W	1
113T1240-125		3	57W	1
113T1240-126		3	60X	1
113T1240-127		3	357E	1
113T1240-128		3	360E	1

57-53-31

 ILLUSTRATED PARTS LIST
 01.1 Page 1048
 Nov 01/03


BOEING
 COMPONENT
 MAINTENANCE MANUAL

PART NUMBER	AIRLINE PART NO.	FIG.	ITEM	TTL REQ
113T1240-13		1	554	1
		3	501	1
113T1240-14		1	556	1
		3	504	1
113T1240-15		1	295	1
		3	243	1
		6	975	1
113T1240-16		1	300	1
		3	246	1
		6	980	1
113T1240-17		1	592	1
		3	576	1
113T1240-18		1	562	1
		3	528	1
113T1240-20		1	550	2
		3	495	2
113T1240-20		6	410	2
113T1240-201		6	330	1
113T1240-202		6	335	1
113T1240-243		3	363D	1
113T1240-244		3	366D	1
113T1240-249		6	330A	1
113T1240-25		1	370A	1
113T1240-250		6	335A	1
113T1240-251		3	501B	1
113T1240-252		3	504B	1
113T1240-255		6	330B	1
113T1240-256		6	335B	1
113T1240-259		3	363E	1
113T1240-26		1	375B	1
113T1240-260		3	366E	1
113T1240-261		3	576B	1
113T1240-27		1	580	1
		3	546	1
113T1240-28		1	328	2
		3	270	2
113T1240-31		1	586A	1
		3	573	1
113T1240-33		1	105B	1
		3	57	1
113T1240-34		1	110B	1
113T1240-35		1	360B	1
		3	357	1

57-53-31

ILLUSTRATED PARTS LIST

01.1

Page 1049

Nov 01/03

PART NUMBER	AIRLINE PART NO.	FIG.	ITEM	TTL REQ
113T1240-36		1	365B	1
		3	360	1
113T1240-37		1	105C	1
113T1240-38		1	110C	1
113T1240-39		1	360C	1
113T1240-40		1	365C	1
113T1240-41		1	596A	1
113T1240-42		1	295A	1
113T1240-43		1	302	6
113T1240-45		1	360D	1
113T1240-46		1	365D	1
113T1240-47		1	370B	1
113T1240-48		1	375C	1
113T1240-49		1	105D	1
113T1240-5		1	370	1
113T1240-5		3	363	1
113T1240-50		1	110D	1
113T1240-52		1	110G	1
		3	60B	1
113T1240-54		1	110E	1
113T1240-57		3	57C	1
113T1240-59		3	363B	1
113T1240-6		1	375A	1
		3	366	1
113T1240-60		3	366B	1
113T1240-61		3	357B	1
113T1240-62		3	360B	1
113T1240-67		3	357C	1
113T1240-68		3	360C	1
113T1240-7		1	327	1
		3	269	1

57-53-31

 ILLUSTRATED PARTS LIST
 01.1 Page 1050
 Nov 01/03


BOEING
 COMPONENT
 MAINTENANCE MANUAL

PART NUMBER	AIRLINE PART NO.	FIG.	ITEM	TTL REQ
113T1240-70		3	60E	1
113T1240-71		3	57E	1
113T1240-72		3	60F	1
113T1240-73		3	357D	1
113T1240-74		3	360D	1
113T1240-75		3	57F	1
113T1240-76		3	60G	1
113T1240-77		3	57G	1
113T1240-78		3	60H	1
113T1240-79		3	363C	1
113T1240-80		3	366C	1
113T1240-81		3	582B	1
113T1240-83		3	57H	1
113T1240-84		3	60J	1
113T1240-85		3	57J	1
113T1240-86		3	60K	1
113T1240-87		3	57Q	1
113T1240-88		3	60R	1
113T1240-89		3	57K	1
113T1240-90		3	60L	1
113T1240-91		3	57L	1
113T1240-92		3	60M	1
113T1240-93		3	57M	1
113T1240-94		3	60N	1
113T1240-95		3	57N	1
113T1240-96		3	60P	1
113T1240-97		3	57P	1
113T1240-98		3	60Q	1
113T1240-99		6	825	1
113T1242-1		1	505	1
		3	444	1

57-53-31

ILLUSTRATED PARTS LIST

01.1

Page 1051

Nov 01/03

PART NUMBER	AIRLINE PART NO.	FIG.	ITEM	TTL REQ
113T1242-10		1	510A	1
113T1242-11		1	515A	1
113T1242-12		1	520A	1
113T1242-2		1	510	1
		3	447	1
113T1242-21		1	495B	1
		3	438	1
113T1242-22		1	500B	1
		3	441	1
113T1242-23		1	485D	1
		3	432	1
113T1242-24		1	490D	1
		3	435	1
113T1242-25		1	495C	1
113T1242-26		1	500C	1
113T1242-27		1	485E	1
113T1242-28		1	490E	1
113T1242-29		1	515B	1
113T1242-3		1	515	1
		3	450	1
113T1242-30		1	520B	1
113T1242-31		1	495D	1
113T1242-32		1	500D	1
113T1242-33		3	444A	1
113T1242-34		3	447A	1
113T1242-35		3	450B	1
113T1242-36		3	453D	1
113T1242-37		3	438F	1
113T1242-38		3	441F	1
113T1242-4		1	520	1
		3	453	1
113T1242-41		3	444B	1
113T1242-42		3	447B	1
113T1242-43		3	450C	1
113T1242-44		3	453C	1
113T1242-45		3	438G	1
113T1242-46		3	441G	1
113T1242-49		3	438D	1
113T1242-50		3	441D	1
113T1242-51		3	438E	1
113T1242-52		3	441E	1

57-53-31

 ILLUSTRATED PARTS LIST
 01.1 Page 1052
 Nov 01/03


BOEING
 COMPONENT
 MAINTENANCE MANUAL

PART NUMBER	AIRLINE PART NO.	FIG.	ITEM	TTL REQ
113T1242-53		3	450G	1
113T1242-55		3	450H	1
113T1242-56		3	453E	1
113T1242-57		3	450J	1
113T1242-58		3	453F	1
113T1242-59		3	432D	1
113T1242-60		3	435D	1
113T1242-61		3	444H	1
113T1242-62		3	447H	1
113T1242-63		3	444J	1
113T1242-64		3	447J	1
113T1242-65		3	432E	1
113T1242-66		3	435E	1
113T1242-67		3	444K	1
113T1242-68		3	447K	1
113T1242-69		3	438K	1
113T1242-70		3	441K	1
113T1242-71		3	450L	1
113T1242-72		3	453H	1
113T1242-9		1	505A	1
113T1243-1		1	606	1
		3	597	1
113T1243-2		1	608	1
		3	600	1
113T1243-3		1	606A	1
		3	597A	1
113T1243-4		1	608A	1
		3	600A	1
113T1244-10		3	33A	2
113T1244-11		3	30D	1
113T1244-3		1	65	2
		3	33	2
113T1244-4		1	70	2
		3	36	2
113T1244-7		1	60B	1
		3	30	1
113T1244-8		1	60C	1
		3	30A	1
113T1244-9		1	55B	1
		3	27	1
113T1245-1		1	115	1
		3	114	1
113T1245-2		1	120	1
		3	117	1

57-53-31

 ILLUSTRATED PARTS LIST
 01.1 Page 1053
 Nov 01/03

PART NUMBER	AIRLINE PART NO.	FIG.	ITEM	TTL REQ
113T1245-3		1	125	1
		3	120	1
113T1245-4		1	130	1
		3	123	1
113T1251-1		1	662	1
		4	160	1
113T1251-2		1	664	1
		4	165	1
113T1251-5		6	240	1
113T1251-6		6	245	1
113T1251-7		4	160B	1
113T1251-8		4	165B	1
113T1252-1		5	75	1
113T1252-2		5	90	1
113T1253-1		2	25C	1
113T1253-2		2	30C	1
113T1253-3		2	135B	1
113T1253-4		2	140B	1
113T1253-5		2	145B	1
113T1253-6		2	150B	1
113T1254-14		1	25	1
		3	9	1
		6	20	1
113T1254-31		5	335	1
		7	285	1
113T1254-5		1	628	1
		4	15	1
		6	225	1
113T1254-7		1	30	1
		3	12	1
		6	30	1
113T1255-1		5	230	1
113T1255-2		5	255	1

57-53-31

 ILLUSTRATED PARTS LIST
 01.1 Page 1054
 Nov 01/03


BOEING
 COMPONENT
 MAINTENANCE MANUAL

PART NUMBER	AIRLINE PART NO.	FIG.	ITEM	TTL REQ
113T1255-3		5	230A	1
113T1255-4		5	255A	1
113T1255-5		5	255D	1
113T1256-28		5	150	2
		7	405	2
113T1256-29		1	668	4
		4	100	2
		4	175	2
		6	250	4
113T1256-31		5	330	4
		7	325	4
113T1257-1		5	230D	1
		7	190	1
113T1257-2		5	255C	1
		7	200	1
113T1261-1		1	650	1
		4	60	1
		6	185	1
113T1261-11		1	652A	1
		4	70	1
		6	195	1
113T1261-12		1	653A	1
		4	75	1
		6	200	1
113T1261-15		1	654B	1
		4	135	1
		6	130	1
113T1261-16		1	655B	1
		4	140	1
		6	135	1
113T1261-17		1	658A	1
113T1261-17		4	150	1
		6	145	1
113T1261-18		1	660A	1
		4	155	1
		6	150	1

57-53-31

 ILLUSTRATED PARTS LIST
 01.1 Page 1055
 Nov 01/03

PART NUMBER	AIRLINE PART NO.	FIG.	ITEM	TTL REQ
113T1261-2		1	651	1
		4	65	1
		6	190	1
113T1261-7		1	656	1
		4	80	1
		6	210	1
113T1261-8		1	657	1
		4	85	1
		6	215	1
113T1262-5		1	40	1
		3	18	1
		6	25	1
113T1263-10		1	50	1
		3	24	1
		6	40	1
113T1264-39		1	45A	1
		3	21	1
		6	45	1
113T1264-4		1	45	1
		3	21A	1
		6	21B	1
113T1264-68		3	21B	1
		6	35	1
		1	552	1
113T1265-1		3	498A	1
		6	820	1
		1	552	1
113T1265-2		3	498B	1
		6	820	1
		3	498M	1
113T1265-6		6	820B	1
		5	140	1
		7	395	1
113T1267-11		5	145	1
		7	400	1
		5	220	4
113T1267-12		7	180	4
		5	315B	1
		5	310	1
113T1268-1		5	315	1
		7	355	1
		7	360	1
113T1269-10		7	360	1
		5	310B	1
		5	310	1
113T1269-3		5	310	1
113T1269-4		5	315	1
113T1269-7		7	355	1
113T1269-8		7	360	1
113T1269-9		5	310B	1

57-53-31

 ILLUSTRATED PARTS LIST
 01.1 Page 1056
 Nov 01/03


BOEING
 COMPONENT
 MAINTENANCE MANUAL

PART NUMBER	AIRLINE PART NO.	FIG.	ITEM	TTL REQ
113T1282-6		3	498N	1
113T1283-1		1	652B	1
		4	70A	1
113T1283-2		1	653B	1
		4	75A	1
113T1283-3		1	650A	1
		4	60A	1
113T1283-4		1	651A	1
		4	65A	1
113T1292-1		5	260	1
		7	255	1
113T1293-3		5	35	1
113T1293-4		5	65	1
113T1311-1		5	325	1
		7	280	1
113T1312-5		2	175	1
		7	475	2
113T1312-6		5	133	1
		7	385	1
113T1312-7		5	340	1
		7	320	1
113T1343-1		5	365	1
113T1343-10		5	420	1
113T1343-2		5	370	1
113T1343-3		5	390	1
113T1343-4		5	395	1
113T1343-5		5	375	1
113T1343-6		5	380	1
113T1343-7		5	405	1
113T1343-8		5	400	1
113T1343-9		5	415	1
113T1347-100		1	530	4
		3	465	4
		6	370	4
113T1347-105		1	216A	4
		3	129	4
		6	395	4
113T1347-121		3	477A	2
113T1347-122		3	480A	2
113T1347-123		3	486A	2
		6	355	2
113T1347-124		3	489A	2
		6	350	2
113T1347-143		3	35	2
		6	55	2

57-53-31

 ILLUSTRATED PARTS LIST
 01.1 Page 1057
 Nov 01/03

PART NUMBER	AIRLINE PART NO.	FIG.	ITEM	TTL REQ
113T1347-144		3	35P	2
		6	60	2
113T1347-145		6	375	4
113T1347-51		1	686	2
		4	205	2
		6	285	2
113T1347-52		1	688	2
		4	210	2
		6	280	2
113T1347-53		1	538	2
		3	477	2
113T1347-54		1	540	2
		3	480	2
113T1347-57		1	75	2
		3	39	2
		6	50	2
113T1347-63		1	548	4
		3	492	4
		6	360	4
113T1347-64		1	542	4
		3	483	4
113T1347-66		1	690	1
113T1347-66		4	215	1
		6	275	1
113T1347-67		1	670	1
		4	95	1
		6	255	1
113T1347-71		1	544	2
		3	486	2
113T1347-72		1	546	2
		3	489	2
113T1347-73		1	534	2
		3	471	2
		6	380	2

57-53-31

 ILLUSTRATED PARTS LIST
 01.1 Page 1058
 Nov 01/03


BOEING
 COMPONENT
 MAINTENANCE MANUAL

PART NUMBER	AIRLINE PART NO.	FIG.	ITEM	TTL REQ
113T1347-74		1	536	2
		3	474	2
		6	385	2
113T1347-76		1	532	4
		3	468	4
		6	365	4
113T1347-78		1	215	4
		3	126	4
		6	390	4
113T1361-13		4	170B	1
		6	325	1
113T1361-14		5	320B	1
		7	365	1
		1	666	1
113T1361-3		4	170	1
		5	320	1
113T1361-4		5	75B	1
		5	90A	1
113T1371-1		5	90A	1
113T1371-2		5	90A	1
113T1497-1		3	27A	1
113T1497-11		3	28	1
		6	45	1
		3	34	2
113T1497-13		6	95	2
		3	31	1
113T1497-15		6	100	1
		3	30B	1
		3	27C	1
113T1497-2		3	27C	1
113T1581-1		3	597B	1
113T1581-2		3	600E	1
113T1581-5		3	597H	1
113T1581-6		3	600L	1

57-53-31

ILLUSTRATED PARTS LIST

01.1

Page 1059

Nov 01/03

PART NUMBER	AIRLINE PART NO.	FIG.	ITEM	TTL REQ
113T1582-1		3	498C	1
113T1582-2		3	498D	1
113T1582-5		3	498G	1
113T1582-6		3	498J	1
113T1641-55		6	435	1
113T1641-56		6	440	1
113T1641-57		6	450	1
113T1641-58		6	455	1
113T1734-1		1	225	2
		3	150	2
113T1734-2		1	245	2
		3	162	2
113T1783-11		5	400G	1
		5	405C	1
		7	300	1
113T1783-12		5	415B	1
		7	315	1
113T1783-2		5	365C	1
		5	370C	1
		7	290	1
113T1783-3		5	375C	1
		5	380B	1
		7	295	1
113T1783-6		5	380C	1
113T1783-8		5	390A	1
		7	310	1
113T1787-1		1	225A	2
		3	150A	2
		6	460	2
113T1787-2		6	470	2
113T2000-177		3	603D	1
		4	1D	RF
113T2000-178		3	606D	1
		4	5D	RF
113T2000-179		2	180D	1
113T2000-179		5	1H	RF
113T2000-180		2	185D	1
		5	5H	RF

57-53-31

 ILLUSTRATED PARTS LIST
 01.1 Page 1060
 Nov 01/03


BOEING
 COMPONENT
 MAINTENANCE MANUAL

PART NUMBER	AIRLINE PART NO.	FIG.	ITEM	TTL REQ
113T2000-181		2	180E	1
		5	1J	RF
113T2000-182		2	185E	1
		5	5J	RF
113T2000-197		2	180F	1
		5	1K	RF
113T2000-198		2	185F	1
		5	5K	RF
113T2000-200		5	98	3
		7	225	3
113T2000-41		1	618A	1
		3	603A	1
113T2000-42		1	620A	1
		3	606A	1
113T2000-43		2	180A	1
113T2000-44		2	185A	1
113T2000-5013		1	622C	1
		3	607	1
		4	1	RF
113T2000-5014		1	624C	1
		3	608	1
		4	5	RF
113T2000-5015		1	622B	1
		3	607A	1
		4	1A	RF
113T2000-5016		1	624B	1
		3	608A	1
		4	5A	RF
113T2000-5019		2	187C	1
		5	1	RF
113T2000-5020		2	189C	1
		5	5	RF
113T2000-5035		2	187D	1
		5	1A	RF
113T2000-5036		2	189D	1
		5	5A	RF
113T2000-5039		2	187E	1
		5	1B	RF
113T2000-5040		2	189E	1
		5	5B	RF
113T2000-5043		2	187G	1
113T2000-5043		5	1C	RF
113T2000-5044		2	189G	1
		5	5C	RF
113T2000-5045		2	187F	1
		5	1D	RF

57-53-31

 ILLUSTRATED PARTS LIST
 01.1 Page 1061
 Nov 01/03

PART NUMBER	AIRLINE PART NO.	FIG.	ITEM	TTL REQ
113T2000-5046		2	189F	1
		5	5D	RF
113T2000-5053		2	187H	1
		5	1E	RF
113T2000-5054		2	189H	1
		5	5E	RF
113T2000-5091		2	187J	1
		5	1G	RF
113T2000-5092		2	189J	1
		5	5G	RF
113T2000-52		5	247	3
		7	175	3
113T2000-77		3	603B	1
		4	1B	RF
113T2000-78		3	606B	1
		4	5B	RF
113T2000-79		2	180B	1
113T2000-80		2	185B	1
113T2000-91		3	603C	1
		4	1C	RF
113T2000-92		3	606C	1
		4	5C	RF
113T2000-93		2	180C	1
		5	1F	RF
113T2000-94		2	185C	1
		5	5F	RF
113T2001-1		1	125A	1
		3	120A	1
		6	935	1
113T2001-2		1	130A	1
		3	123A	1
		6	930	1
113T2002-1		1	113A	1
		3	114A	1
		6	945	1
113T2002-2		1	120A	1
		3	117A	1
		6	940	1
113T2025-1		5	435A	1
113T2025-2		5	440A	1
113T2025-3		5	455	1
		7	95	1
113T2025-4		5	460	1
		7	100	1
113T2025-5		5	495	1
		7	135	1

57-53-31

 ILLUSTRATED PARTS LIST
 01.1 Page 1062
 Nov 01/03


BOEING
 COMPONENT
 MAINTENANCE MANUAL

PART NUMBER	AIRLINE PART NO.	FIG.	ITEM	TTL REQ
113T2025-6		5	500	1
		7	140	1
113T2025-7		5	485	1
		7	125	1
113T2025-8		5	490	1
		7	130	1
113T2026-1		5	230B	1
113T2026-2		5	255B	1
113T2027-1		5	100	1
		7	230	1
113T2027-2		5	105	1
		7	235	1
113T2027-3		5	115	1
		7	245	1
113T2027-4		5	120	1
		7	250	1
272T0164-1		1	260G	1
		3	189	1
		6	565	1
272T0164-2		1	272G	1
		3	213	1
		6	580	1
272T1347-2		1	356G	1
		3	333	1
		6	625	1
272T1347-3		1	359J	1
		3	348	1
		6	635	1
272T1347-5		1	359P	1
		3	354	1
		6	640	1
272T1347-6		1	359M	1
272T1347-6		3	351	1
		6	530	1
272T1347-7		1	356A	1
		3	330	1
		6	520	1
272T1347-8		1	359H	1
		3	345	1
		6	535	1
272T1375-7		1	260	1
272T1375-8		1	272	1

57-53-31

ILLUSTRATED PARTS LIST

01.1

Page 1063

Nov 01/03

PART NUMBER	AIRLINE PART NO.	FIG.	ITEM	TTL REQ
272T1427-1		1	247	1
		3	165	1
		6	480	1
272T1427-2		1	255	1
		3	180	1
		6	500	1
272T1427-3		1	258	1
		3	186	1
		6	485	1
272T1427-4		1	270	1
		3	210	1
		6	505	1
272T1427-5		1	248	1
		3	168	1
		6	545	1
272T1427-6		1	257	1
		3	183	1
		6	560	1
272T1434-3		1	218A	1
		3	132	1
		6	595	1
272T1434-4		1	224A	1
		3	147	1
		6	610	1
287T0020-437		1	334A	1
		3	285	1
		6	665	1
287T0020-438		1	334G	1
		3	288	1
		6	670	1
287T0020-439		1	345A	1
		3	315	1
		6	715	1
287T0020-440		1	346	1
		3	318	1
		6	720	1
287T0020-440 287T0020-472		1	348A	1
		3	327	1
		6	660	1
287T0020-640		6	690	2
		2	75	1
		2	80	1
287T4904-1 287T4904-2 287T4904-3		2	85	1
		7	540	1
		2	90	1
287T4904-4		7	545	1

57-53-31

 ILLUSTRATED PARTS LIST
 01.1 Page 1064
 Nov 01/03


BOEING
 COMPONENT
 MAINTENANCE MANUAL

PART NUMBER	AIRLINE PART NO.	FIG.	ITEM	TTL REQ
287T4904-5		2	95	1
287T4904-6		2	97	1
		7	550	1
287T4904-7		2	75A	1
		7	525	1
287T4904-8		2	80A	1
		7	530	1
48FT820		5	270	1
52LH6073-054		3	45A	20
52LH6073-064		3	51A	4
53488-524		3	45A	20
53488-624		3	51A	4
53488W524		3	43	20
53488W624		3	49	4
60B00178-22		5	225	2
		7	185	2
60B00178-23		5	265A	2
		7	330A	2
60B00178-24		1	672B	2
		4	105	1
		4	180	1
		6	260	2
60B00178-651		5	280B	1
		7	90A	1
60B00180-243		5	155B	1
		7	380	1
6073-05		3	43	20
6073-06		3	49	4
65B19247-1		1	626	1
		4	10	1
65B19247-1		6	220	1
66014-10		1	333	10
		3	274L	2
		3	282	10
		3	283	4
		3	284	2
		5	430	2
66014-6		1	290	18
		1	325	6
		1	566	12
		1	578	6
		1	591	28
		3	240	18
		3	267	6
		3	522	12
		3	543	6
		3	570	28

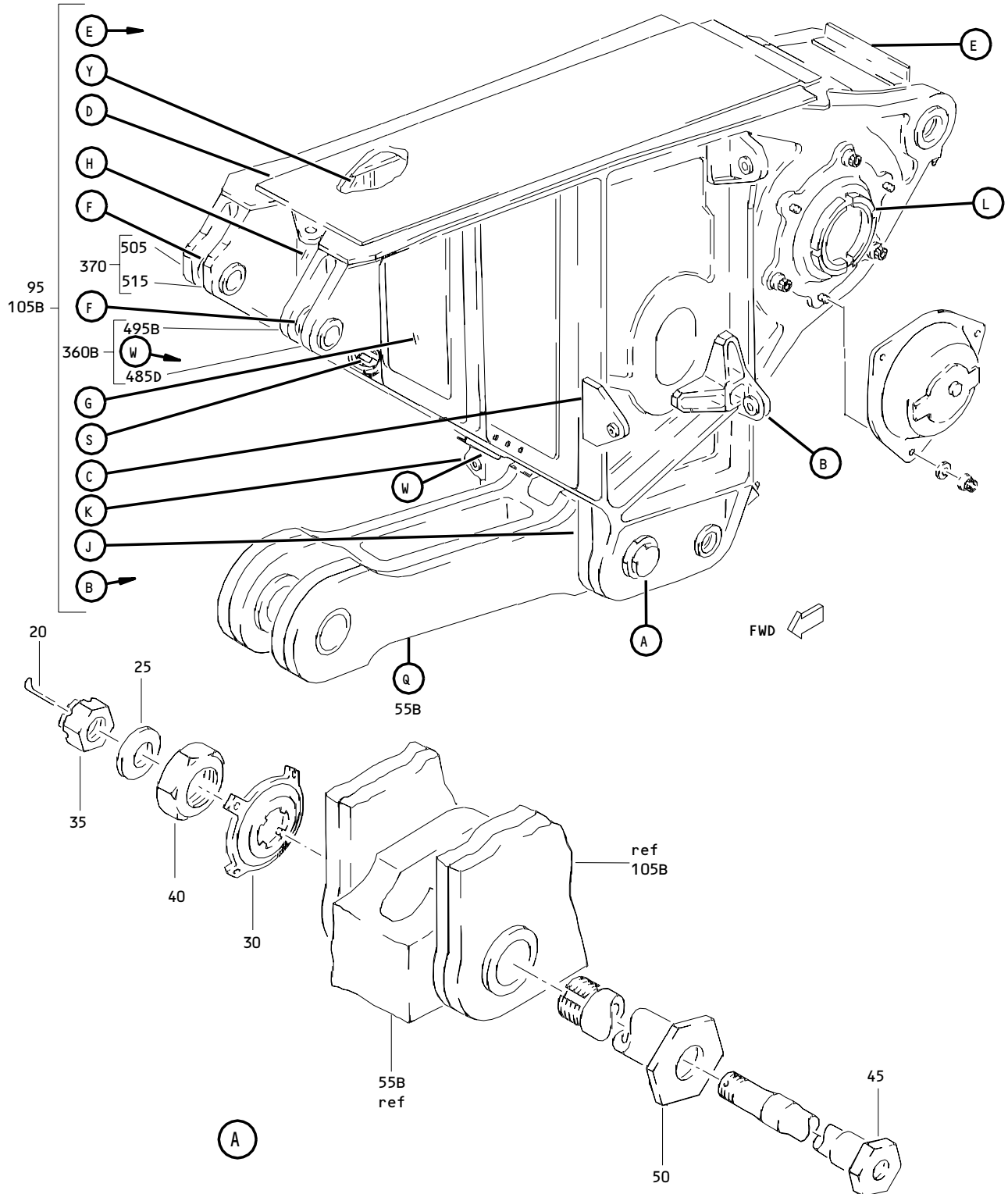
57-53-31

 ILLUSTRATED PARTS LIST
 01.1 Page 1065
 Nov 01/03

PART NUMBER	AIRLINE PART NO.	FIG.	ITEM	TTL REQ		
66014-8		1	278	53		
		1	310	4		
		1	358G	3		
		1	468	131		
		1	602	3		
		3	228	53		
		3	258	4		
		3	339	3		
		3	429	131		
		3	591	3		
		67832CD5		3	277C	2
				6	750	2
				6	785	2
67832CD524		3	277C	2		
		6	750	2		
		6	785	2		
69235-820CD		7	80	1		
		5	162A	1		
69308-8A3		7	410A	1		
		5	160	7		
69308-8A4		5	162	1		
		7	410	1		
		7	415	7		
69308-8A6		5	165	1		
		7	420	1		
		1	684B	2		
96-048		4	200A	2		
		5	215	6		
96-048		5	245	3		
		5	360	6		
96-064		5	305	6		
96-070		5	305	6		

57-53-31

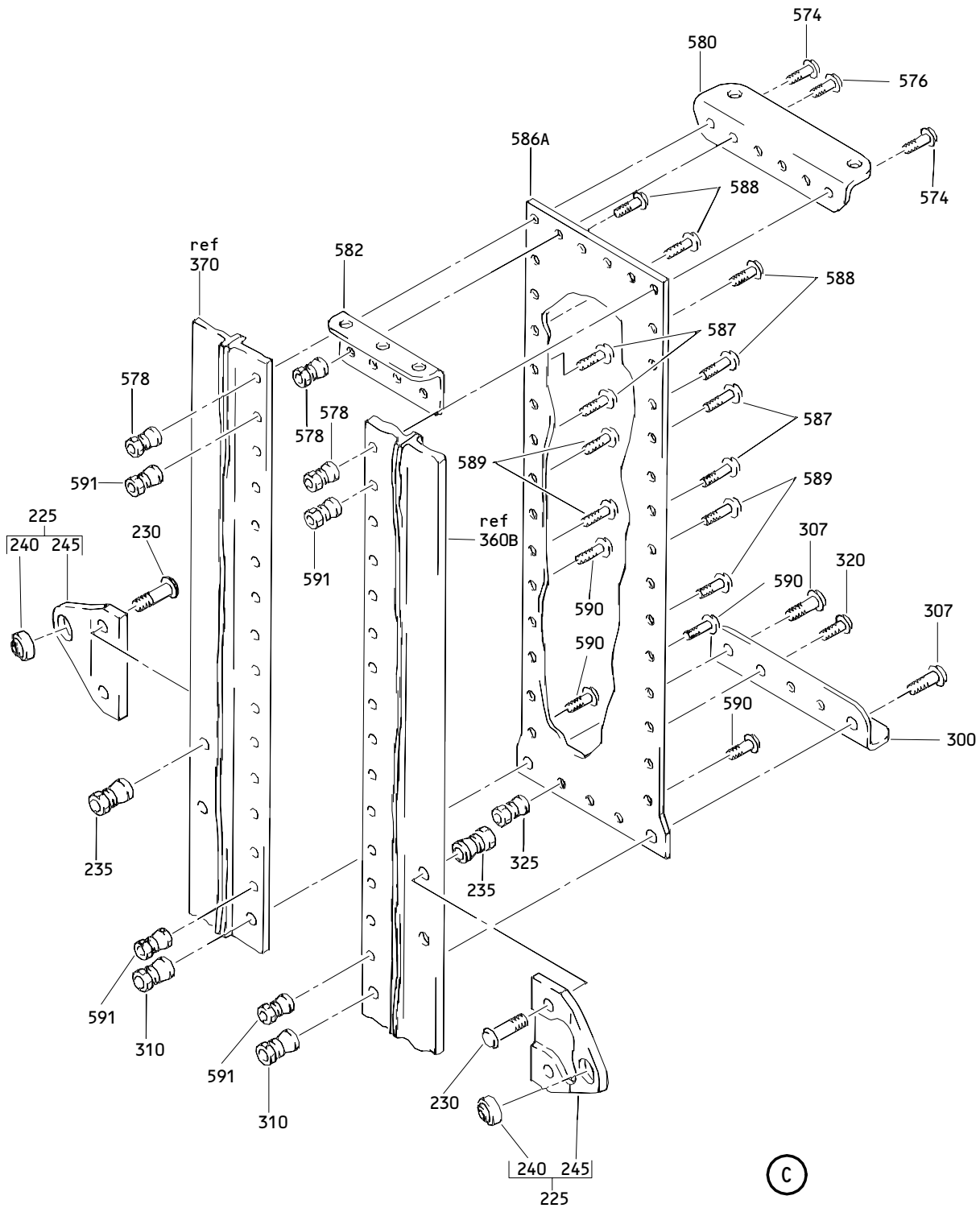
 ILLUSTRATED PARTS LIST
 01.1 Page 1066
 Nov 01/03



Inboard Trailing Edge Flap Support Assembly
Figure 1 (Sheet 1)

57-53-31

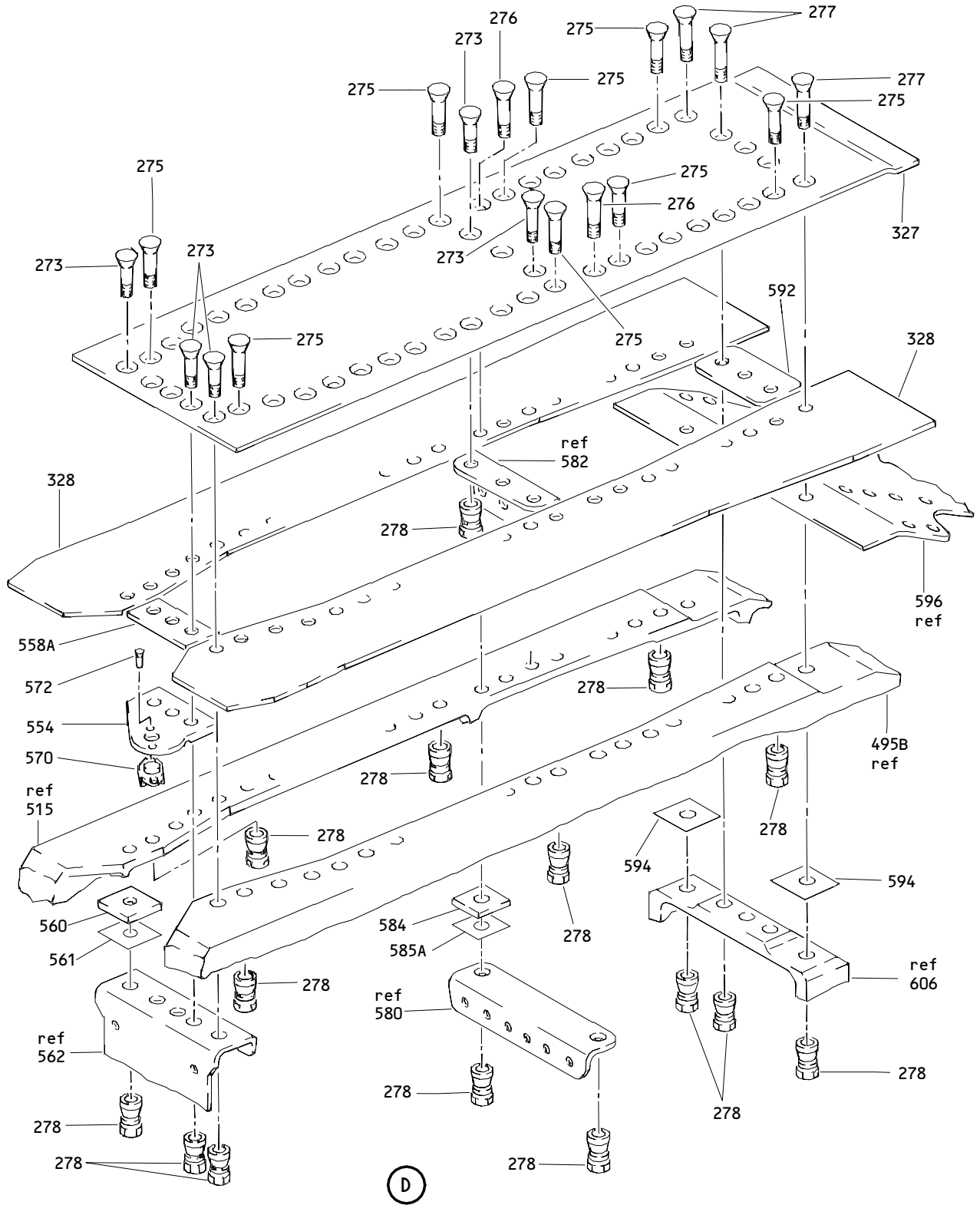
ILLUSTRATED PARTS LIST
 01.1 Page 1068
 Nov 01/03



Inboard Trailing Edge Flap Support Assembly
 Figure 1 (Sheet 3)

57-53-31

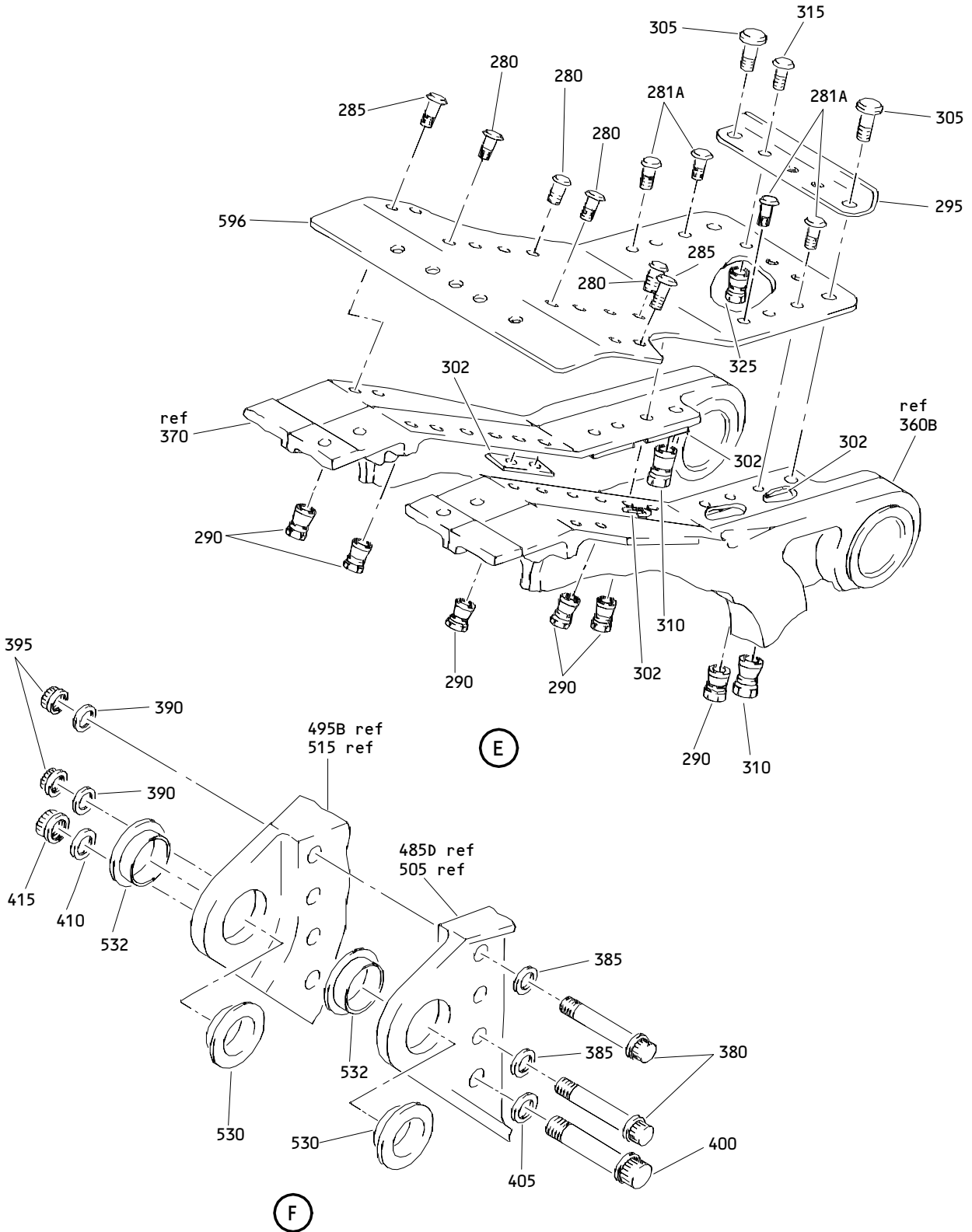
ILLUSTRATED PARTS LIST
 01.1 Page 1070
 Nov 01/03



Inboard Trailing Edge Flap Support Assembly
 Figure 1 (Sheet 4)

57-53-31

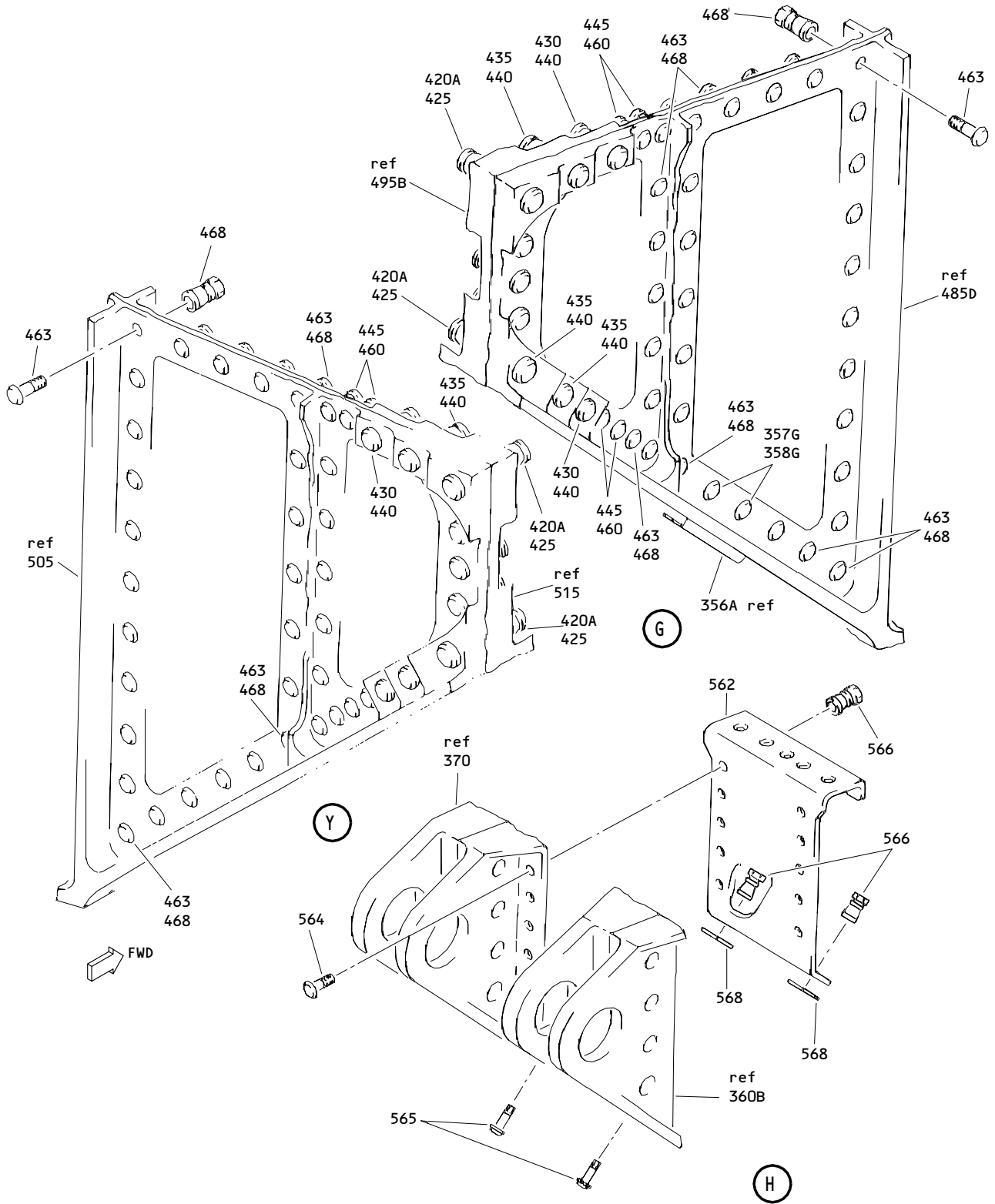
ILLUSTRATED PARTS LIST
 01.1 Page 1071
 Nov 01/03



Inboard Trailing Edge Flap Support Assembly
Figure 1 (Sheet 5)

57-53-31

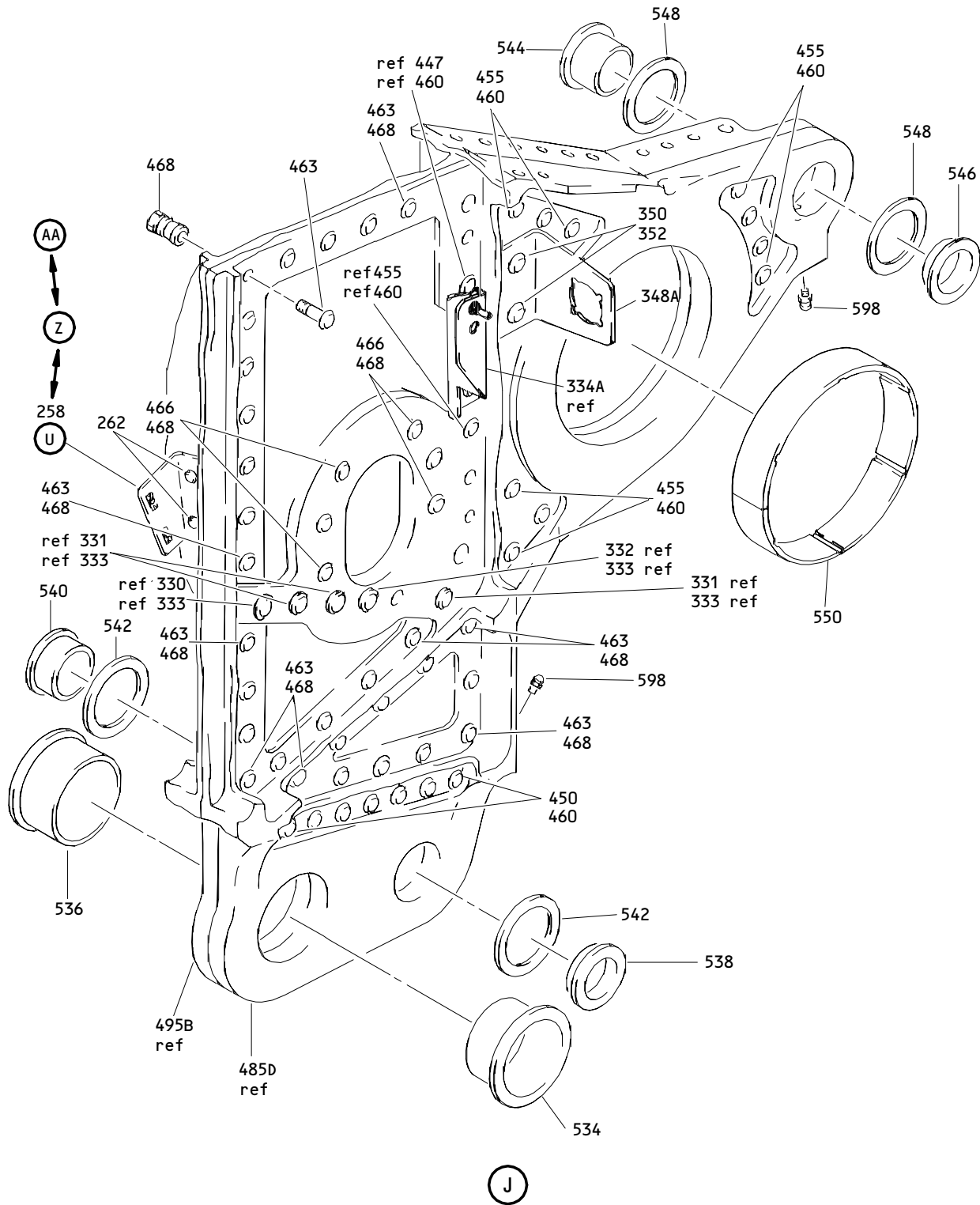
ILLUSTRATED PARTS LIST
 01.1 Page 1072
 Nov 01/03



Inboard Trailing Edge Flap Support Assembly
Figure 1 (Sheet 6)

57-53-31

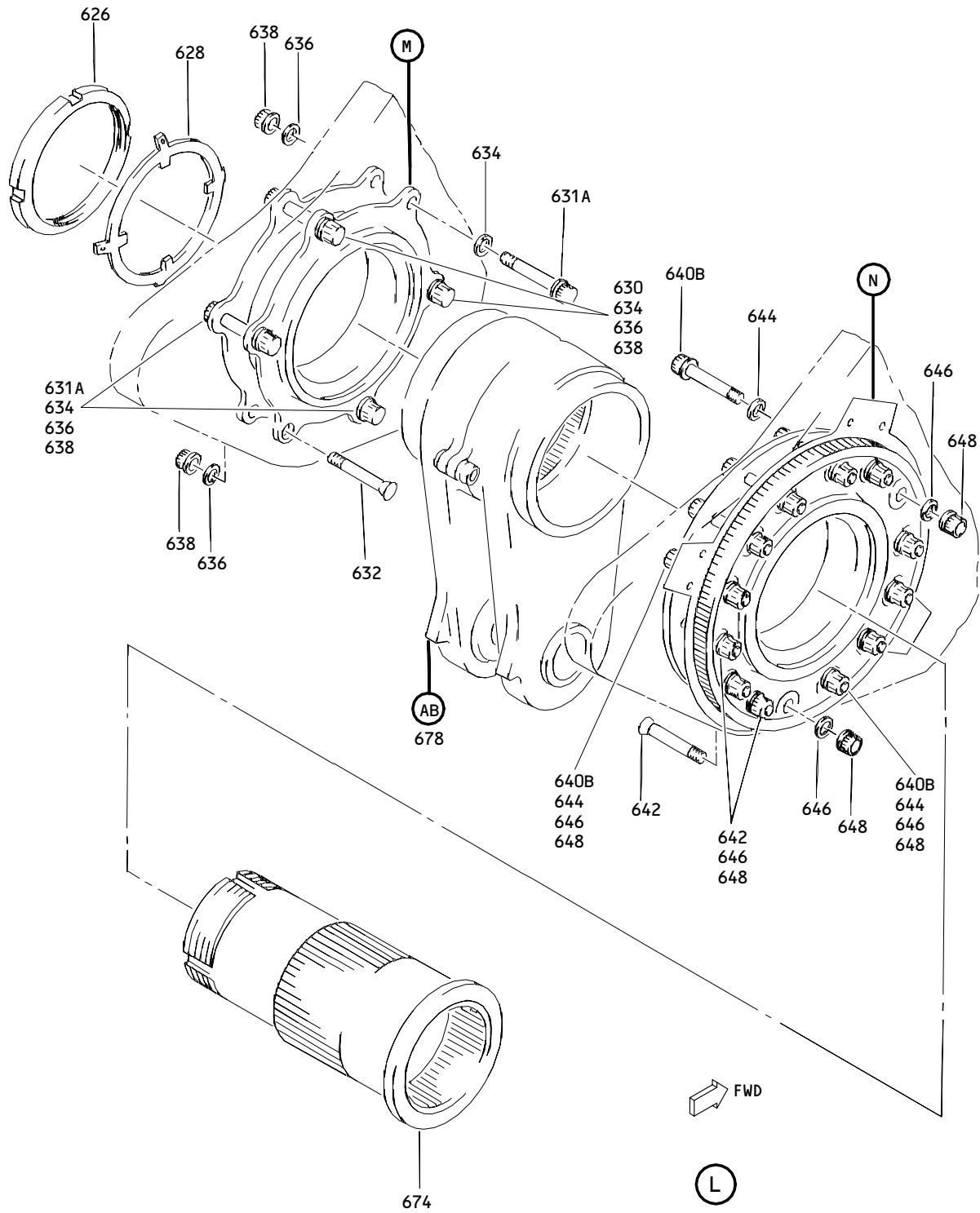
ILLUSTRATED PARTS LIST
01.1 Page 1073
Nov 01/03



J
 Inboard Trailing Edge Flap Support Assembly
 Figure 1 (Sheet 7)

57-53-31

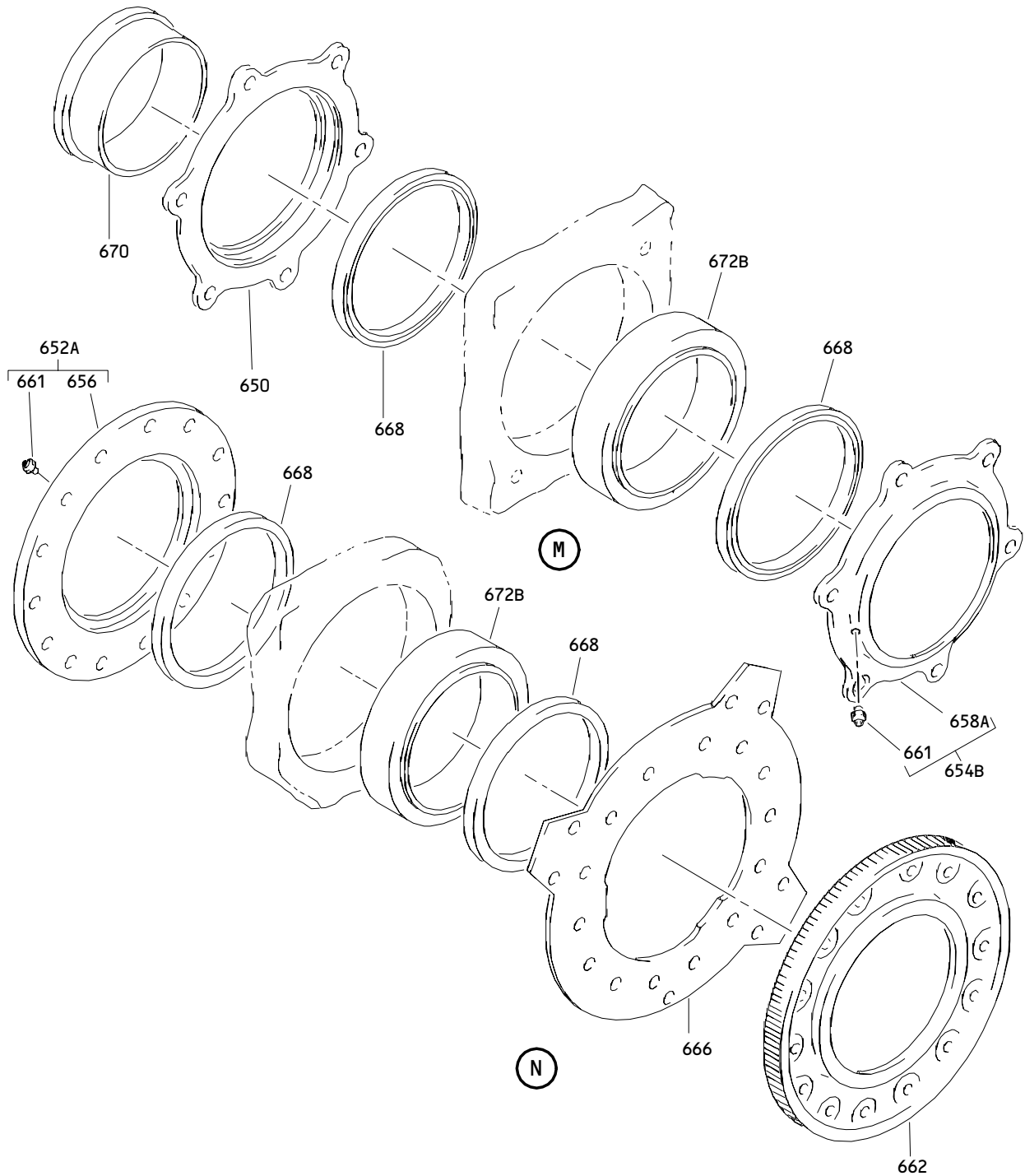
ILLUSTRATED PARTS LIST
 01.1 Page 1074
 Nov 01/03



Inboard Trailing Edge Flap Support Assembly
 Figure 1 (Sheet 9)

57-53-31

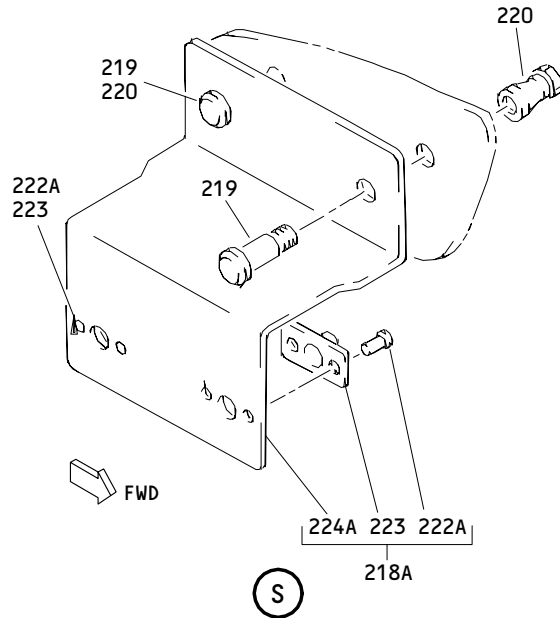
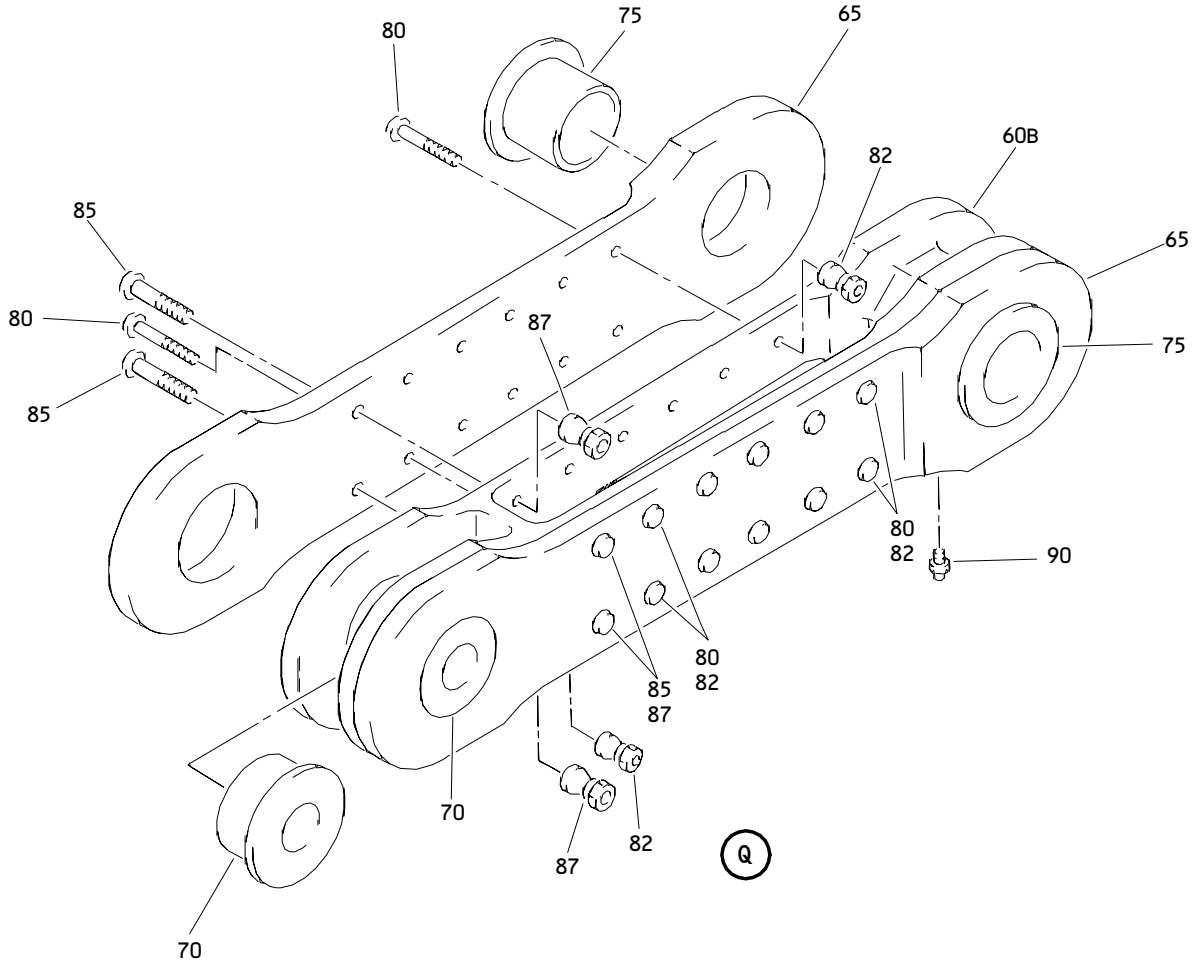
ILLUSTRATED PARTS LIST
 01.1 Page 1076
 Nov 01/03



Inboard Trailing Edge Flap Support Assembly
Figure 1 (Sheet 10)

57-53-31

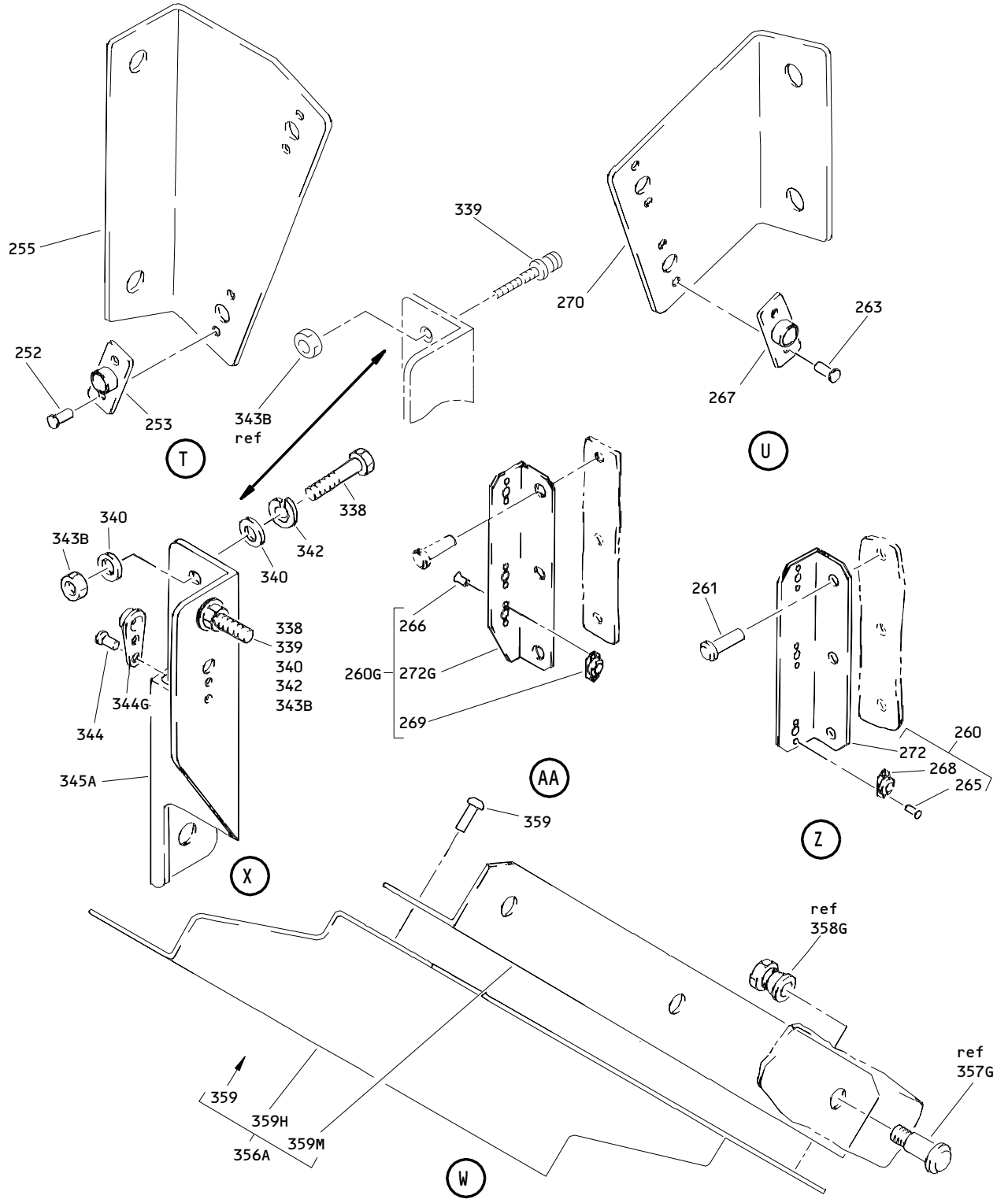
ILLUSTRATED PARTS LIST
01.1 Page 1077
Nov 01/03



**Inboard Trailing Edge Flap Support Assembly
 Figure 1 (Sheet 11)**

57-53-31

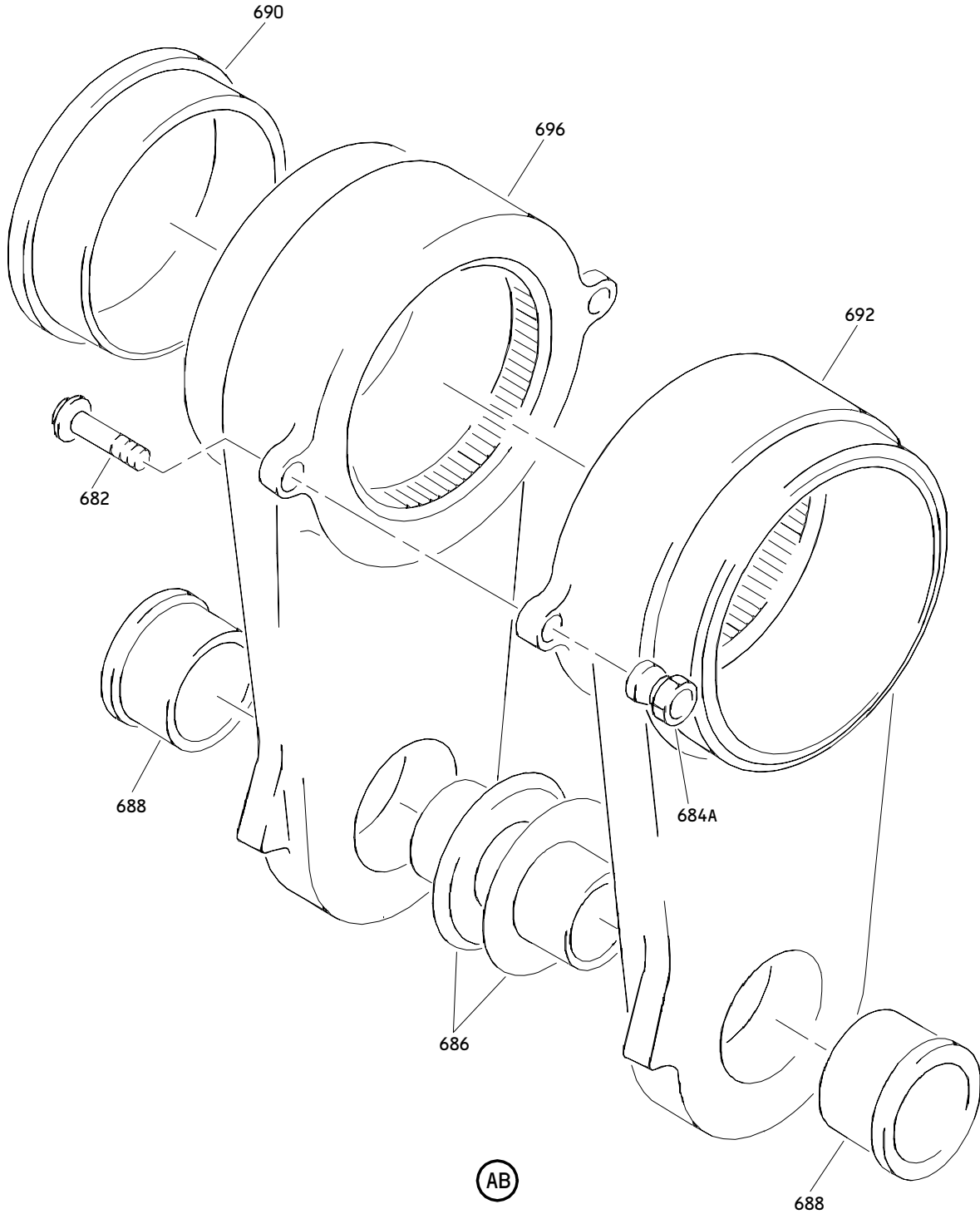
ILLUSTRATED PARTS LIST
 01.1 Page 1078
 Nov 01/03



Inboard Trailing Edge Flap Support Assembly
 Figure 1 (Sheet 12)

57-53-31

ILLUSTRATED PARTS LIST
 01.1 Page 1079
 Nov 01/03



Inboard Trailing Edge Flap Support Assembly
Figure 1 (Sheet 13)

57-53-31

ILLUSTRATED PARTS LIST
01.1 Page 1080
Nov 01/03


BOEING
 COMPONENT
 MAINTENANCE MANUAL

FIG. & ITEM	PART NO.	AIRLINE PART NUMBER	NOMENCLATURE 1234567	EFF CODE	QTY PER ASSY
01-					
-1	113T1200-5		DELETED		
-1A	113T1200-13		DELETED		
-1B	113T1200-19		SUPPORT ASSY-INBD TE FLAP (LH)	A	RF
-1C	113T1200-21		DELETED		
-1D	113T1200-23		SUPPORT ASSY-INBD TE FLAP (LH) (FOR DETAILS SEE FIG. 3)	H	RF
-1E	113T1200-29		SUPPORT ASSY-INBD TE FLAP (LH) (FOR DETAILS SEE FIG. 3)	G	RF
-1F	113T1200-33		SUPPORT ASSY-INBD TE FLAP (LH) (FOR DETAILS SEE FIG. 3)	J	RF
-1G	113T1200-37		DELETED		
-1H	113T1200-43		SUPPORT ASSY-INBD TE FLAP (VARIABLE) (LH) (FOR DETAILS SEE FIG. 3)	U	RF
-1J	113T1200-51		SUPPORT ASSY-INBD TE FLAP (LH) (FOR DETAILS SEE FIG. 3)	W	RF
-1K	113T1200-53		SUPPORT ASSY-INBD TE FLAP (LH) (FOR DETAILS SEE FIG. 3)	X	RF
-1L	113T1200-57		SUPPORT ASSY-INBD TE FLAP (LH) (FOR DETAILS SEE FIG. 3)	N	RF
-1M	113T1200-59		SUPPORT ASSY-INBD TE FLAP (LH) (FOR DETAILS SEE FIG. 3)	Q	RF
-1N	113T1200-65		SUPPORT ASSY-INBD TE FLAP (LH) (FOR DETAILS SEE FIG. 3)	AC	RF
-1P	113T1200-67		SUPPORT ASSY-INBD TE FLAP (VARIABLE) (LH) (FOR DETAILS SEE FIG. 3)	AE	RF
-1Q	113T1200-71		SUPPORT ASSY-INBD TE FLAP (LH) (FOR DETAILS SEE FIG. 3)	AG	RF
-1R	113T1200-73		SUPPORT ASSY-INBD TE FLAP (LH) (FOR DETAILS SEE FIG. 3)	AJ	RF
-1S	113T1200-75		SUPPORT ASSY-INBD TE FLAP (VARIABLE) (LH) (FOR DETAILS SEE FIG. 3)	AL	RF

57-53-31

 ILLUSTRATED PARTS LIST
 01.1 Page 1080A
 Nov 01/03

FIG. & ITEM	PART NO.	AIRLINE PART NUMBER	NOMENCLATURE 1234567	EFF CODE	QTY PER ASSY
01- -1T	113T1200-61		SUPPORT ASSY-INBD TE FLAP (VARIABLE) (LH) (FOR DETAILS SEE FIG. 3)	AN	RF
-1U	113T1200-85		SUPPORT ASSY-INBD TE FLAP (LH) (FOR DETAILS SEE FIG. 3)	AQ	RF
-1V	113T1200-117		SUPPORT ASSY-INBD TE FLAP (LH) (FOR DETAILS SEE FIG. 3)	AY	RF
-1W	113T1200-139		SUPPORT ASSY-INBD TE FLAP (LH) (FOR DETAILS SEE FIG. 3)	BE	RF
-1X	113T1200-143		SUPPORT ASSY-INBD TE FLAP (LH) (FOR DETAILS SEE FIG. 3)	BG	RF
-1Y	113T1200-155		SUPPORT ASSY-INBD TE FLAP (LH) (FOR DETAILS SEE FIG. 3)	BN	RF
-1Z	113T1200-159		SUPPORT ASSY-INBD TE FLAP (LH) (FOR DETAILS SEE FIG. 3)	BQ	RF
-3	113T1200-241		FIXED ASSY-SPRT 3 (LH) (FOR DETAILS SEE FIG. 6)	BA	RF
-3A	113T1200-245		FIXED ASSY-SPRT 3 (LH) (FOR DETAILS SEE FIG. 6)	BJ	RF
-3B	113T1200-249		FIXED ASSY-SPRT 3 (LH) (FOR DETAILS SEE FIG. 6)	BL	RF
-4	113T1200-321		ACTUATOR ASSY-SPRT 4 (LH) (FOR DETAILS SEE FIG. 7)	BC	RF
-5	113T1200-6		DELETED		
-5A	113T1200-14		DELETED		
-5B	113T1200-20		SUPPORT ASSY-INBD TE FLAP (RH)	B	RF
-5C	113T1200-22		DELETED		
-5D	113T1200-24		SUPPORT ASSY-INBD TE FLAP (RH) (FOR DETAILS SEE FIG. 3)	K	RF
-5E	113T1200-30		SUPPORT ASSY-INBD TE FLAP (RH) (FOR DETAILS SEE FIG. 3)	L	RF
-5F	113T1200-33		DELETED		

57-53-31

 ILLUSTRATED PARTS LIST
 01.1 Page 1080B
 Nov 01/03


BOEING
 COMPONENT
 MAINTENANCE MANUAL

FIG. & ITEM	PART NO.	AIRLINE PART NUMBER	NOMENCLATURE 1234567	EFF CODE	QTY PER ASSY
01- -5G	113T1200-34		SUPPORT ASSY-INBD TE FLAP (RH) (FOR DETAILS SEE FIG. 3)	M	RF
-5H	113T1200-38		DELETED		
-5J	113T1200-44		SUPPORT ASSY-INBD TE FLAP (VARIABLE) (RH) (FOR DETAILS SEE FIG. 3)	V	RF
-5K	113T1200-52		SUPPORT ASSY-INBD TE FLAP (RH) (FOR DETAILS SEE FIG. 3)	Y	RF
-5L	113T1200-54		SUPPORT ASSY-INBD TE FLAP (RH) (FOR DETAILS SEE FIG. 3)	Z	RF
-5M	113T1200-58		SUPPORT ASSY-INBD TE FLAP (RH) (FOR DETAILS SEE FIG. 3)	P	RF
-5N	113T1200-60		SUPPORT ASSY-INBD TE FLAP (RH) (FOR DETAILS SEE FIG. 3)	R	RF
-5P	113T1200-66		SUPPORT ASSY-INBD TE FLAP (RH) (FOR DETAILS SEE FIG. 3)	AD	RF
-5Q	113T1200-68		SUPPORT ASSY-INBD TE FLAP (VARIABLE) (RH) (FOR DETAILS SEE FIG. 3)	AF	RF
-5R	113T1200-72		SUPPORT ASSY-INBD TE FLAP (RH) (FOR DETAILS SEE FIG. 3)	AH	RF
-5S	113T1200-74		SUPPORT ASSY-INBD TE FLAP (RH) (FOR DETAILS SEE FIG. 3)	AK	RF
-5T	113T1200-76		SUPPORT ASSY-INBD TE FLAP (VARIABLE) (RH) (FOR DETAILS SEE FIG. 3)	AM	RF
-5U	113T1200-62		SUPPORT ASSY-INBD TE FLAP (VARIABLE) (RH) (FOR DETAILS SEE FIG. 3)	AP	RF
-5V	113T1200-86		SUPPORT ASSY-INBD TE FLAP (RH) (FOR DETAILS SEE FIG. 3)	AR	RF
-5W	113T1200-118		SUPPORT ASSY-INBD TE FLAP (RH) (FOR DETAILS SEE FIG. 3)	AZ	RF

57-53-31

 ILLUSTRATED PARTS LIST
 01.1 Page 1080C
 Nov 01/03

FIG. & ITEM	PART NO.	AIRLINE PART NUMBER	NOMENCLATURE 1234567	EFF CODE	QTY PER ASSY
01- -5X	113T1200-140		SUPPORT ASSY-INBD TE FLAP (RH) (FOR DETAILS SEE FIG. 3)	BF	RF
-5Y	113T1200-144		SUPPORT ASSY-INBD TE FLAP (RH) (FOR DETAILS SEE FIG. 3)	BH	RF
-5Z	113T1200-156		SUPPORT ASSY-INBD TE FLAP (RH) (FOR DETAILS SEE FIG. 3)	BP	RF
-6	113T1200-160		SUPPORT ASSY-INBD TE FLAP (RH) (FOR DETAILS SEE FIG. 3)	BR	RF
-8	113T1200-242		FIXED ASSY-SPRT 6 (RH) (FOR DETAILS SEE FIG. 6)	BB	RF
-8A	113T1200-246		FIXED ASSY-SPRT 6 (RH) (FOR DETAILS SEE FIG. 6)	BK	RF
-8B	113T1200-250		FIXED ASSY-SPRT 6 (RH) (FOR DETAILS SEE FIG. 6)	BM	RF
-9	113T1200-322		ACTUATOR ASSY-SPRT 5 (RH) (FOR DETAILS SEE FIG. 7)	BD	RF
-10	113T1200-7		DELETED		
-10A	113T1200-15		SUPPORT ASSY-INBD TE FLAP (LH) (FOR DETAILS SEE FIG. 2)	C	RF
-10B	113T1200-17		SUPPORT ASSY-INBD TE FLAP (LH) (FOR DETAILS SEE FIG. 2)	E	RF
-10C	113T1200-25		DELETED		
-10D	113T1200-41		DELETED		
-10E	113T1200-45		SUPPORT ASSY-INBD TE FLAP (VARIABLE) (LH) (FOR DETAILS SEE FIG. 2)	S	RF
-10F	113T1200-55		SUPPORT ASSY-INBD TE FLAP (LH) (FOR DETAILS SEE FIG. 2)	AA	RF
-10G	113T1200-97		SUPPORT ASSY-INBD TE FLAP (LH) (FOR DETAILS SEE FIG. 2)	AS	RF
-10H	113T1200-101		SUPPORT ASSY-INBD TE FLAP (LH) (FOR DETAILS SEE FIG. 2)	AT	RF

57-53-31

 ILLUSTRATED PARTS LIST
 01.1 Page 1080D
 Nov 01/03


BOEING
 COMPONENT
 MAINTENANCE MANUAL

FIG. & ITEM	PART NO.	AIRLINE PART NUMBER	NOMENCLATURE 1234567	EFF CODE	QTY PER ASSY
01- -10J	113T1200-109		SUPPORT ASSY-INBD TE FLAP (VARIABLE) (LH) (FOR DETAILS SEE FIG. 2)	AU	RF
-15 -15A	113T1200-8 113T1200-16		DELETED SUPPORT ASSY-INBD TE FLAP (RH) (FOR DETAILS SEE FIG. 2)	D	RF
-15B	113T1200-18		SUPPORT ASSY-INBD TE FLAP (RH) (FOR DETAILS SEE FIG. 2)	F	RF
-15C	113T1200-26		DELETED		
-15D	113T1200-42		DELETED		
-15E	113T1200-46		SUPPORT ASSY-INBD TE FLAP (VARIABLE) (RH) (FOR DETAILS SEE FIG. 2)	T	RF
-15F	113T1200-56		SUPPORT ASSY-INBD TE FLAP (RH) (FOR DETAILS SEE FIG. 2)	AB	RF
-15G	113T1200-98		SUPPORT ASSY-INBD TE FLAP (RH) (FOR DETAILS SEE FIG. 2)	AV	RF
-15H	113T1200-102		SUPPORT ASSY-INBD TE FLAP (RH) (FOR DETAILS SEE FIG. 2)	AW	RF
-15J	113T1200-110		SUPPORT ASSY-INBD TE FLAP (VARIABLE) (LH) (FOR DETAILS SEE FIG. 2)	AX	RF
20	MS24665-379		.PIN	A,B	1
25	113T1254-14		.WASHER-SPECIAL	A,B	1
30	113T1254-7		.WASHER-SPECIAL	A,B	1
35	BACN10JD120AU		.NUT	A,B	1
40	113T1262-5		.NUT-SPECIAL	A,B	1
45	113T1264-4		.PIN-INNER (OPT ITEM 45A)	A,B	1
-45A	113T1264-39		.PIN-INNER (OPT ITEM 45)	A,B	1
50	113T1263-10		.PIN-OUTER	A,B	1
55	113T1244-1		DELETED		
55A	113T1244-5		DELETED		
55B	113T1244-9		.LINK ASSY	A,B	1
60	113T1244-2		DELETED		
60A	113T1244-6		DELETED		
60B	113T1244-7		..LINK-CTR (OPT ITEM 60C)	A,B	1

57-53-31

 ILLUSTRATED PARTS LIST
 01.1 Page 1080E
 Nov 01/03

FIG. & ITEM	PART NO.	AIRLINE PART NUMBER	NOMENCLATURE 1234567	EFF CODE	QTY PER ASSY
01- -60C	113T1244-8		..LINK-CTR (OPT ITEM 60B)	A,B	1
65	113T1244-3		..LINK-OUTER	A,B	2
70	113T1244-4		..BUSHING	A,B	2
75	113T1347-57		..BUSHING	A,B	2
80	HL1012AZ10-18		..BOLT- (VOPTK6) (SPEC BACB30NX10K18) (OPT HL12VAZ10-18 (V73197)) (OPT HL12VAZ10-18 (V92215)) (OPT HL12VAZ10-18 (V97928)) (OPT L802-10K18 (V06725)) (OPT HL12VAZ10-18 (V56878)) (OPT HL1012AZ10-18 (V06725)) (OPT HL1012AZ10-18 (V06950)) (OPT HL1012AZ10-18 (V17446)) (OPT HL1012AZ10-18 (V56878)) (OPT HL1012AZ10-18 (V60516)) (OPT HL1012AZ10-18 (V73197)) (OPT HL1012AZ10-18 (V97928))	A,B	20

57-53-31

 ILLUSTRATED PARTS LIST
 01.1 Page 1080F
 Nov 01/03


BOEING
 COMPONENT
 MAINTENANCE MANUAL

FIG. & ITEM	PART NO.	AIRLINE PART NUMBER	NOMENCLATURE 1234567	EFF CODE	QTY PER ASSY
01-82	HL1187-10		..COLLAR- (V5M902) (SPEC BACC30X10) (OPT HL87-10 (V73197)) (OPT HL87-10 (V92215)) (OPT HL1187-10 (V56878)) (OPT HL1187-10 (V92215)) (OPT HL87-10 (V56878)) (OPT HL1187-10 (V73197))	A,B	20
85	HL1012AZ12-18		..BOLT- (V0PTK6) (SPEC BACB30NX12K18) (OPT HL12VAZ12-18 (V73197)) (OPT HL12VAZ12-18 (V92215)) (OPT HL12VAZ12-18 (V97928)) (OPT L802-12K18 (V06725)) (OPT HL12VAZ12-18 (V56878)) (OPT HL1012AZ12-18 (V06725)) (OPT HL1012AZ12-18 (V06950)) (OPT HL1012AZ12-18 (V17446)) (OPT HL1012AZ12-18 (V56878)) (OPT HL1012AZ12-18 (V60516)) (OPT HL1012AZ12-18 (V73197)) (OPT HL1012AZ12-18 (V97928))	A,B	4

57-53-31

 ILLUSTRATED PARTS LIST
 01.1 Page 1080G
 Nov 01/03

FIG. & ITEM	PART NO.	AIRLINE PART NUMBER	NOMENCLATURE 1234567	EFF CODE	QTY PER ASSY
01-87	HL1187-12		..COLLAR- (V5M902) (SPEC BACC30X12) (OPT HL1187-12 (V73197)) (OPT HL1187-12 (V73197)) (OPT HL1187-12 (V56878)) (OPT HL1187-12 (V92215)) (OPT HL87-12 (V56878)) (OPT HL87-12 (V73197))	A,B	4
90	MS15001-1		..FITTING-LUBE	A,B	1
95	113T1200-5001		.SUPPORT ASSY- (REPLS ITEMS 95A, 95B)	A	1
-95A	113T1200-5003		.SUPPORT ASSY- (REPLD BY ITEMS 95, 95B)	A	1
-95B	113T1200-5011		.SUPPORT ASSY- (REPLD BY ITEM 95) (REPLS ITEM 95A)	A	1
-100	113T1200-5002		.SUPPORT ASSY- (REPLD BY ITEM 100A)	B	1
-100A	113T1200-5004		.SUPPORT ASSY- (REPLS ITEM 100) (REPLD BY ITEM 100B)	B	1
-100B	113T1200-5012		.SUPPORT ASSY- (REPLD BY ITEM 100C) (REPLS ITEM 100A)	B	1
-100C	113T1200-5016		.SUPPORT ASSY- (REPLS ITEM 100B) (REPLD BY ITEM 100D)	B	1
-100D	113T1200-5018		.SUPPORT ASSY- (REPLS ITEM 100C) (REPLD BY ITEM 100E)	B	1
-100E	113T1200-5014		.SUPPORT ASSY- (REPLS ITEM 100D)	B	1

57-53-31

 ILLUSTRATED PARTS LIST
 01.1 Page 1080H
 Nov 01/03


BOEING
 COMPONENT
 MAINTENANCE MANUAL

FIG. & ITEM	PART NO.	AIRLINE PART NUMBER	NOMENCLATURE 1234567	EFF CODE	QTY PER ASSY
01-					
105	113T1240-1		DELETED		
-105A	113T1240-21		DELETED		
105B	113T1240-33		..RIB ASSY-OUTBD SPRT (USED ON ITEM 95)	A	1
-105C	113T1240-37		..RIB ASSY-OUTBD SPRT (USED ON ITEM 95A)	A	1
-105D	113T1240-49		..RIB ASSY-OUTBD SPRT (USED ON ITEM 95B)	A	1
-110	113T1240-2		DELETED		
-110A	113T1240-22		DELETED		
-110B	113T1240-34		..RIB ASSY-OUTBD SPRT (USED ON ITEM 100)	B	1
-110C	113T1240-38		..RIB ASSY-OUTBD SPRT (USED ON ITEM 100A)	B	1
-110D	113T1240-50		..RIB ASSY-OUTBD SPRT (USED ON ITEM 100B)	B	1
-110E	113T1240-54		..RIB ASSY-OUTBD SPRT (USED ON ITEM 100C)	B	1
-110F	113T1240-56		..RIB ASSY-OUTBD SPRT (USED ON ITEM 100D)	B	1
-110G	113T1240-52		..RIB ASSY-OUTBD SPRT (USED ON ITEM 100E)	B	1
-113A	113T2002-1		...FITTING-SPRT (OPT ITEM 115)	A,B	1
115	113T1245-1		...FITTING-SPRT (OPT ITEM 113A)	A,B	1
-115B	113T1245-1		DELETED		
120	113T1245-2		...FITTING-SPRT (OPT ITEM 120A)	A,B	1
-120A	113T2002-2		...FITTING-SPRT (OPT ITEM 120)	A,B	1
-120B	113T1245-2		DELETED		

57-53-31

 ILLUSTRATED PARTS LIST
 01.1 Page 1080I
 Nov 01/03

FIG. & ITEM	PART NO.	AIRLINE PART NUMBER	NOMENCLATURE 1234567	EFF CODE	QTY PER ASSY
01-125	113T1245-3		...FITTING-SPRT (OPT ITEM 125A)	A,B	1
-125A	113T2001-1		...FITTING-SPRT (OPT ITEM 125)	A,B	1
-125B	113T1245-3		DELETED		
130	113T1245-4		...FITTING-SPRT (OPT ITEM 130A)	A,B	1
-130A	113T2001-2		...FITTING-SPRT (OPT ITEM 130)	A,B	1
-130B	113T1245-4		DELETED		
			ATTACHING PARTS		
135	BACB30MR9K141		...BOLT	A,B	1
140	BACW10BP9AC		...WASHER	A,B	1
145	BACW10BP9AP		...WASHER	A,B	1
150	BACN10GW9AS		...NUT	A,B	1
155	BACB30MR7K18		...BOLT	A,B	2
160	BACW10BP7AC		...WASHER	A,B	2
165	BACW10BP7AP		...WASHER	A,B	2
170	BACN10GW7AS		...NUT	A,B	2
173	BACB30MR5K32		...BOLT	A,B	2
175	BACB30MR5K18		...BOLT	A,B	4
180	BACW10BP5AC		...WASHER	A,B	6
185	BACW10BP5AP		...WASHER	A,B	6
190	BACN10GW5AS		...NUT-	A,B	6
195	BACB30MR4K15		...BOLT	A,B	2
200	BACW10BP4AC		...WASHER	A,B	2
205	BACW10BP4AP		...WASHER	A,B	2
210	BACN10GW4AS		...NUT	A,B	2
			-----*-----		
215	113T1347-78		...BUSHING	A,B	4
216	BACB28AM10B053		DELETED		
216A	113T1347-105		...BUSHING	A,B	4
218	272T1434-1		DELETED		
218A	272T1434-3		...BRACKET ASSY-HYDR (USED ON ITEMS 110B, 110C, 110D, 110F, 110G) ATTACHING PARTS	B	1

57-53-31

 ILLUSTRATED PARTS LIST
 01.1 Page 1080J
 Nov 01/03


BOEING
 COMPONENT
 MAINTENANCE MANUAL

FIG. & ITEM	PART NO.	AIRLINE PART NUMBER	NOMENCLATURE 1234567	EFF CODE	QTY PER ASSY
01-219	HL1012AZ8-4		...BOLT- (VOPTK6) (SPEC BACB30NX8K4) (OPT HL12VAZ8-4 (V73197)) (OPT HL12VAZ8-4 (V92215)) (OPT HL12VAZ8-4 (V97928)) (OPT L802-8K4 (V06725)) (OPT HL12VAZ8-4 (V56878)) (OPT HL1012AZ8-4 (V06725)) (OPT HL1012AZ8-4 (V06950)) (OPT HL1012AZ8-4 (V17446)) (OPT HL1012AZ8-4 (V56878)) (OPT HL1012AZ8-4 (V60516)) (OPT HL1012AZ8-4 (V73197)) (OPT HL1012AZ8-4 (V97928))	B	2
220	HL1187-8		...COLLAR- (V5M902) (SPEC BACC30X8) (OPT HL87-8 (V73197)) (OPT HL87-8 (V92215)) (OPT HL1187-8 (V56878)) (OPT HL1187-8 (V92215)) (OPT HL87-8 (V56878)) (OPT HL1187-8 (V73197)) -----*-----	B	2

57-53-31

 ILLUSTRATED PARTS LIST
 01.1 Page 1080K
 Nov 01/03

FIG. & ITEM	PART NO.	AIRLINE PART NUMBER	NOMENCLATURE 1234567	EFF CODE	QTY PER ASSY
01- 222	BACR15DA3AD		DELETED		
222A	BACR15BA3AD	RIVET- (SIZE DETERMINE ON INST)	B	4
223	BRFM20A3	NUTPLATE- (V52828) (SPEC BACN10JN3) (OPT MF1000-3BAC (V15653)) (OPT NS103218-02 (V80539)) (OPT RMF9201M3 (V72962)) (OPT VN252A02 (V92215)) (OPT MF1000-3BAC (V15653)) (OPT MF53049-3 (V15653))	B	2
224	272T1434-2		DELETED		
224A	272T1434-4	BRACKET	B	1
225	113T1734-1		...FITTING ASSY-VERT. ATTACH (OPT TO ITEM 225A)	A,B	2
225A	113T1787-1		...FITTING ASSY-VERT. ATTACH (OPT TO ITEM 225)	A,B	2

57-53-31

 ILLUSTRATED PARTS LIST
 01.1 Page 1080L
 Nov 01/03

BOEING
 COMPONENT
 MAINTENANCE MANUAL

FIG. & ITEM	PART NO.	AIRLINE PART NUMBER	NOMENCLATURE 1234567	EFF CODE	QTY PER ASSY
01- 230	HL1012AZ8-9		ATTACHING PARTS ...BOLT- (VOPTK6) (SPEC BACB30NX8K9) (OPT HL12VAZ8-9 (V73197)) (OPT HL12VAZ8-9 (V92215)) (OPT HL12VAZ8-9 (V97928)) (OPT L802-8K9 (V06725)) (OPT HL12VAZ8-9 (V56878)) (OPT HL1012AZ8-9 (V06725)) (OPT HL1012AZ8-9 (V06950)) (OPT HL1012AZ8-9 (V17446)) (OPT HL1012AZ8-9 (V56878)) (OPT HL1012AZ8-9 (V60516)) (OPT HL1012AZ8-9 (V73197)) (OPT HL1012AZ8-9 (V97928))	A,B	4
235	HL1187-8		...COLLAR- (V5M902) (SPEC BACC30X8) (OPT HL87-8 (V73197)) (OPT HL87-8 (V92215)) (OPT HL1187-8 (V56878)) (OPT HL1187-8 (V92215)) (OPT HL87-8 (V56878)) (OPT HL1187-8 (V73197)) -----*-----	A,B	4

57-53-31

ILLUSTRATED PARTS LIST
 01.1 Page 1080M
 Nov 01/03

FIG. & ITEM	PART NO.	AIRLINE PART NUMBER	NOMENCLATURE 1234567	EFF CODE	QTY PER ASSY
01- 240	ADW04V301NC	BEARING- (V15860) (SPEC BACB10FA04GC) (OPT SWKRS04-350SC (V81376)) (OPT KSC152200BZ04GC (V50632)) (OPT KWDB04-35 (V97613)) (OPT WES04FAGC (V73134)) (OPT WHTFA04VC (VS0352))	A,B	1
245	113T1734-2	FITTING	A,B	1
247	272T1427-1		...BRACKET ASSY-HYDR	A	1
-248	272T1427-5		...BRACKET ASSY-HYDR ATTACHING PARTS	B	1
250	BACR15FT6D		...RIVET- (SIZE DETERMINE ON INST) -----*	A,B	2
252	BACR15BA3AD	RIVET- (SIZE DETERMINE ON INST)	A,B	4
253	BRFM20A3	NUTPLATE- (V52828) (SPEC BACN10JN3) (OPT MF1000-3BAC (V15653)) (OPT NS103218-02 (V80539)) (OPT RMF9201M3 (V72962)) (OPT VN252A02 (V92215)) (OPT MF1000-3BAC (V15653)) (OPT MF53049-3 (V15653))	A,B	2
255	272T1427-2	BRACKET	A	1
-257	272T1427-6	BRACKET	B	1
258	272T1427-3		...BRACKET ASSY-HYDR	A	1
260	272T1375-7		...BRACKET ASSY-HYDR (USED ON ITEMS 110B, 110C, 110D)	B	1

57-53-31

 ILLUSTRATED PARTS LIST
 01.1 Page 1080N
 Nov 01/03


BOEING
 COMPONENT
 MAINTENANCE MANUAL

FIG. & ITEM	PART NO.	AIRLINE PART NUMBER	NOMENCLATURE 1234567	EFF CODE	QTY PER ASSY
01- 260G	272T0164-1		...BRACKET ASSY-HYDR (USED ON ITEMS 110E, 110F, 110G) ATTACHING PARTS	B	1
261	BACR15FT6AD		...RIVET- (SIZE DETERMINE ON INST)	B	3
262	BACR15FT6D		...RIVET- (SIZE DETERMINE ON INST) -----*	A	2
263	BACR15BA3AD	RIVET- (SIZE DETERMINE ON INST)	A	4
265	BACR15BA3AD	RIVET- (USED ON ITEM 260) (SIZE DETERMINE ON INST)	B	6
266	BACR15BA3AD	RIVET- (USED ON ITEM 260G) (SIZE DETERMINE ON INST)	B	6
267	BRFM20A3		...NUTPLATE- (V52828) (SPEC BACN10JN3) (OPT MF1000-3BAC (V15653)) (OPT NS103218-02 (V80539)) (OPT RMF9201M3 (V72962)) (OPT VN252A02 (V92215)) (OPT MF1000-3BAC (V15653)) (OPT MF53049-3 (V15653))	A	2

57-53-31

 ILLUSTRATED PARTS LIST
 01.1 Page 10800
 Nov 01/03

FIG. & ITEM	PART NO.	AIRLINE PART NUMBER	NOMENCLATURE 1234567	EFF CODE	QTY PER ASSY
01-268	BRFM20A3	NUTPLATE- (V52828) (SPEC BACN10JN3) (OPT MF1000-3BAC (V15653)) (OPT NS103218-02 (V80539)) (OPT RMF9201M3 (V72962)) (OPT VN252A02 (V92215)) (OPT MF1000-3BAC (V15653)) (OPT MF53049-3 (V15653)) (USED ON ITEM 260)	B	3
269	BRFM20A3	NUTPLATE- (V52828) (SPEC BACN10JN3) (OPT MF1000-3BAC (V15653)) (OPT NS103218-02 (V80539)) (OPT RMF9201M3 (V72962)) (OPT VN252A02 (V92215)) (OPT MF1000-3BAC (V15653)) (OPT MF53049-3 (V15653)) (USED ON ITEM 260G)	B	3

57-53-31

 ILLUSTRATED PARTS LIST
 01.1 Page 1080P
 Nov 01/03


BOEING
 COMPONENT
 MAINTENANCE MANUAL

FIG. & ITEM	PART NO.	AIRLINE PART NUMBER	NOMENCLATURE 1234567	EFF CODE	QTY PER ASSY
01-					
270	272T1427-4	BRACKET	A	1
272	272T1375-8	BRACKET- (USED ON ITEM 260)	B	1
272G	272T0164-2	BRACKET- (USED ON ITEM 260G)	B	1
273	HL11VAZ8-4		...BOLT- (V60516) (SPEC BACB30NW8K4) (OPT B30NW8K4 (V97928)) (OPT HL11VAZ8-4 (V73197)) (OPT HL11VAZ8-4 (V92215)) (OPT HL11VAZ8-4 (V97928)) (OPT L803-8K4 (V06725)) (OPT HL11VAZ8-4 (VOPTK6)) (OPT HL11VAZ8-4 (V56878))	A,B	8
275	HL11VAZ8-6		...BOLT- (V60516) (SPEC BACB30NW8K6) (OPT B30NW8K6 (V97928)) (OPT HL11VAZ8-6 (V73197)) (OPT HL11VAZ8-6 (V92215)) (OPT HL11VAZ8-6 (V97928)) (OPT L803-8K6 (V06725)) (OPT HL11VAZ8-6 (VOPTK6)) (OPT HL11VAZ8-6 (V56878))	A,B	38

57-53-31

 ILLUSTRATED PARTS LIST
 01.1 Page 1080Q
 Nov 01/03

FIG. & ITEM	PART NO.	AIRLINE PART NUMBER	NOMENCLATURE 1234567	EFF CODE	QTY PER ASSY
01-276	HL11VAZ8-8		...BOLT- (V56878) (SPEC BACB30NW8K8) (OPT B30NW8K8 (V97928)) (OPT HL11VAZ8-8 (V73197)) (OPT HL11VAZ8-8 (V92215)) (OPT HL11VAZ8-8 (V97928)) (OPT L803-8K8 (V06725)) (OPT HL11VAZ8-8 (VOPTK6)) (OPT HL11VAZ8-8 (V60516))	A,B	2
277	HL11VAZ8-10		...BOLT- (V60516) (SPEC BACB30NW8K10) (OPT B30NW8K10 (V97928)) (OPT HL11VAZ8-10 (V73197)) (OPT HL11VAZ8-10 (V92215)) (OPT HL11VAZ8-10 (V97928)) (OPT L803-8K10 (V06725)) (OPT HL11VAZ8-10 (VOPTK6)) (OPT HL11VAZ8-10 (V56878))	A,B	5

57-53-31

 ILLUSTRATED PARTS LIST
 01.1 Page 1080R
 Nov 01/03


BOEING
 COMPONENT
 MAINTENANCE MANUAL

FIG. & ITEM	PART NO.	AIRLINE PART NUMBER	NOMENCLATURE 1234567	EFF CODE	QTY PER ASSY
01-278	HL79-8		...COLLAR- (V5M902) (SPEC BACC30M8) (OPT HL79-8 (V73197)) (OPT HL79-8 (V92215)) (OPT 66014-8 (V56878)) (OPT HL79-8 (V56878))	A,B	53
280	HL10VAZ6-3		...BOLT- (V60516) (SPEC BACB30MY6K3) (OPT B30MY6K3 (V97928))	A,B	8
281 281A	BACB30M46K3 HL10VAZ6-7		DELETED ...BOLT- (V60516) (SPEC BACB30MY6K7) (OPT B30MY6K7 (V97928)) (USED ON ITEMS 105D, 110D, 110F)	A,B	6
-281G	HL10VAZ6-3		...BOLT- (V60516) (SPEC BACB30MY6K3) (OPT B30MY6K3 (V97928)) (USED ON ITEMS 105B, 105C, 110B, 110C, 110E, 110G)	A,B	6
285	HL10VAZ6-4		...BOLT- (V60516) (SPEC BACB30MY6K4) (OPT B30MY6K4 (V97928))	A,B	4

57-53-31

 ILLUSTRATED PARTS LIST
 01.1 Page 1080S
 Nov 01/03

FIG. & ITEM	PART NO.	AIRLINE PART NUMBER	NOMENCLATURE 1234567	EFF CODE	QTY PER ASSY
01-290	HL79-6		...COLLAR- (V5M902) (SPEC BACC30M6) (OPT HL79-6 (V73197)) (OPT HL79-6 (V92215)) (OPT 66014-6 (V56878)) (OPT HL79-6 (V56878))	A,B	18
295	113T1240-15		...ANGLE- (USED ON ITEMS 105B, 105C, 110B, 110C, 110E, 110G)	A,B	1
-295A	113T1240-42		...ANGLE- (USED ON ITEMS 105D, 110D, 110F)	A,B	1
300	113T1240-16		...ANGLE	A,B	1
302	113T1240-43		...FILLER- (USED ON ITEMS 105D, 110D, 110F) ATTACHING PARTS	A,B	6
305	HL10VAZ8-4		...BOLT- (V60516) (SPEC BACB30MY8K4) (OPT B30MY8K4 (V97928)) (USED ON ITEMS 105B, 105C, 110B, 110C, 110E, 110G) -----*-----	A,B	2

57-53-31

 ILLUSTRATED PARTS LIST
 01.1 Page 1080T
 Nov 01/03


BOEING
 COMPONENT
 MAINTENANCE MANUAL

FIG. & ITEM	PART NO.	AIRLINE PART NUMBER	NOMENCLATURE 1234567	EFF CODE	QTY PER ASSY
01-305A	HL10VAZ8-9		...BOLT- (V60516) (SPEC BACB30MY8K9) (OPT B30MY8K9 (V97928)) (USED ON ITEMS 105D, 110D, 110F) ATTACHING PARTS	A,B	2
307	HL10VAZ8-8		...BOLT- (V60516) (SPEC BACB30MY8K8) (OPT B30MY8K8 (V97928))	A,B	2
310	HL79-8		...COLLAR- (V5M902) (SPEC BACC30M8) (OPT HL79-8 (V73197)) (OPT HL79-8 (V92215)) (OPT 66014-8 (V56878)) (OPT HL79-8 (V56878))	A,B	4
315	HL10VAZ6-2		...BOLT- (V60516) (SPEC BACB30MY6K2) (OPT B30MY6K2 (V97928))	A,B	3

57-53-31

 ILLUSTRATED PARTS LIST
 01.1 Page 1080U
 Nov 01/03

FIG. & ITEM	PART NO.	AIRLINE PART NUMBER	NOMENCLATURE 1234567	EFF CODE	QTY PER ASSY
01-320	HL10VAZ6-3		...BOLT- (V60516) (SPEC BACB30MY6K3) (OPT B30MY6K3 (V97928))	A,B	3
325	HL79-6		...COLLAR- (V5M902) (SPEC BACC30M6) (OPT HL79-6 (V73197)) (OPT HL79-6 (V92215)) (OPT 66014-6 (V56878)) (OPT HL79-6 (V56878)) -----*	A,B	6
327	113T1240-7		...SKIN	A,B	1
328	113T1240-28		...STRAP	A,B	2
330	HL10VAZ10-9		...BOLT- (V60516) (SPEC BACB30MY10K9) (OPT B30MY10K9 (V97928))	A,B	2
331	HL10VAZ10-10		...BOLT- (V60516) (SPEC BACB30MY10K10) (OPT B30MY10K10 (V97928))	A,B	6
332	HL10VAZ10-11		...BOLT- (V60516) (SPEC BACB30MY10K11) (OPT B30MY10K11 (V97928))	A,B	2
333	HL79-10		...COLLAR- (V5M902) (SPEC BACC30M10) (OPT HL79-10 (V73197)) (OPT HL79-10 (V92215)) (OPT 66014-10 (V56878)) (OPT HL79-10 (V56878))	A,B	10

57-53-31

 ILLUSTRATED PARTS LIST
 01.1 Page 1080V
 Nov 01/03

BOEING
 COMPONENT
 MAINTENANCE MANUAL

FIG. & ITEM	PART NO.	AIRLINE PART NUMBER	NOMENCLATURE 1234567	EFF CODE	QTY PER ASSY
01-					
334	287T0020-311		DELETED		
334A	287T0020-437		...STUD ASSY-GND	A	1
-334G	287T0020-438		...STUD ASSY-GND	B	1
			ATTACHING PARTS		
335	HL1012AZ8-9		...BOLT-	A,B	2
			(VOPTK6)		
			(SPEC BACB30NX8K9)		
			(OPT HL12VAZ8-9		
			(V73197))		
			(OPT HL12VAZ8-9		
			(V92215))		
			(OPT HL12VAZ8-9		
			(V97928))		
			(OPT L802-8K9		
			(V06725))		
			(OPT HL12VAZ8-9		
			(V56878))		
			(OPT HL1012AZ8-9		
			(V06725))		
			(OPT HL1012AZ8-9		
			(V06950))		
			(OPT HL1012AZ8-9		
			(V17446))		
			(OPT HL1012AZ8-9		
			(V56878))		
			(OPT HL1012AZ8-9		
			(V60516))		
			(OPT HL1012AZ8-9		
			(V73197))		
			(OPT HL1012AZ8-9		
			(V97928))		
			-----*		
335A	113T1240-28		DELETED		

57-53-31

ILLUSTRATED PARTS LIST
 01.1 Page 1080W
 Nov 01/03

FIG. & ITEM	PART NO.	AIRLINE PART NUMBER	NOMENCLATURE 1234567	EFF CODE	QTY PER ASSY
01- 337	HL1187-8		ATTACHING PARTS ...COLLAR- (V5M902) (SPEC BACC30X8) (OPT HL87-8 (V73197)) (OPT HL87-8 (V92215)) (OPT HL1187-8 (V56878)) (OPT HL1187-8 (V92215)) (OPT HL87-8 (V56878)) (OPT HL1187-8 (V73197)) -----*-----	A,B	2
338	NAS1801-3-12	SCREW- (ITEMS 338, 340 (QTY 2), 342, 343B TOGETHER ARE OPTIONAL TO ITEM 339)	A,B	2
339	VNS1924CA1-8	STUD- (V5M902) (SPEC BACS53B1EA1) (OPT VNS1924CA3-1-8 (V92215)) (ITEMS 338, 340 (QTY 2), 342, 343B TOGETHER ARE OPTIONAL TO ITEM 339)	A,B	2

57-53-31

 ILLUSTRATED PARTS LIST
 01.1 Page 1080X
 Nov 01/03


BOEING
 COMPONENT
 MAINTENANCE MANUAL

FIG. & ITEM	PART NO.	AIRLINE PART NUMBER	NOMENCLATURE 1234567	EFF CODE	QTY PER ASSY
01-340	AN960D10L	WASHER- (ITEMS 338, 340 (QTY 2), 342, 343B TOGETHER ARE OPTIONAL TO ITEM 339)	A,B	4
341	HL10VAZ10-10		DELETED		
342	MS35338-43	WASHER- (ITEMS 338, 340 (QTY 2), 342, 343B TOGETHER ARE OPTIONAL TO ITEM 339)	A,B	2
343	MS35650-3055		DELETED		
343A	MS35650-305S		DELETED		
343B	MS35650-305T	NUT- (ITEMS 338, 340 (QTY 2), 342, 343B TOGETHER ARE OPTIONAL TO ITEM 339)	A,B	2

57-53-31

 ILLUSTRATED PARTS LIST
 01.1 Page 1080Y
 Nov 01/03

FIG. & ITEM	PART NO.	AIRLINE PART NUMBER	NOMENCLATURE 1234567	EFF CODE	QTY PER ASSY
01-344	BACR15BB3AD	RIVET- (SIZE DETERMINE ON INST)	A,B	2
344G	BRM100A3	NUTPLATE- (V52828) (SPEC BACN10JP3B) (OPT MK2000-3BAC (V15653)) (OPT NS103198-02 (V80539)) (OPT RMA9207-3 (V72962)) (OPT T8077S1032 (V11815)) (OPT VN201A1-02 (V92215)) (OPT ITEMS 344H, 344J)	A,B	1
-344H	BR1000A3	NUTPLATE- (V52828) (SPEC BACN10KB3) (OPT K2000-3 (V15653)) (OPT T8109S1032 (V11815)) (OPT VN101A1-02 (V92215)) (OPT K2000-3 (V15653)) (OPT VN101A1-02 (V92215)) (OPT ITEMS 344G, 344J)	A,B	1
-344J	BRM200A3	NUTPLATE- (V52828) (SPEC BACN10JP3A) (OPT MK1000-3BAC (V15653)) (OPT NS103197-02 (V80539)) (OPT RMA9201M3 (V72962)) (OPT T8076S1032 (V11815)) (OPT VN202A1-02 (V92215)) (OPT ITEMS 344G, 344H)	A,B	1
345	287T0020-312		DELETED		

57-53-31

 ILLUSTRATED PARTS LIST
 01.1 Page 1080Z
 Nov 01/03


BOEING
 COMPONENT
 MAINTENANCE MANUAL

FIG. & ITEM	PART NO.	AIRLINE PART NUMBER	NOMENCLATURE 1234567	EFF CODE	QTY PER ASSY
01-					
345A	287T0020-439	ZEE	A	1
-346	287T0020-440	ZEE	B	1
347	287T0020-313		DELETED		
347A	287T0020-438		DELETED		
-348	287T0020-314		DELETED		
348A	287T0020-472		...BRACKET-CONN. ATTACHING PARTS	A,B	1
350	HL1012AZ8-9		...BOLT- (VOPTK6) (SPEC BACB30NX8K9) (OPT HL12VAZ8-9 (V73197)) (OPT HL12VAZ8-9 (V92215)) (OPT HL12VAZ8-9 (V97928)) (OPT L802-8K9 (V06725)) (OPT HL12VAZ8-9 (V56878)) (OPT HL1012AZ8-9 (V06725)) (OPT HL1012AZ8-9 (V06950)) (OPT HL1012AZ8-9 (V17446)) (OPT HL1012AZ8-9 (V56878)) (OPT HL1012AZ8-9 (V60516)) (OPT HL1012AZ8-9 (V73197)) (OPT HL1012AZ8-9 (V97928))	A,B	2

57-53-31

ILLUSTRATED PARTS LIST

01.1

Page 1081

Nov 01/03

FIG. & ITEM	PART NO.	AIRLINE PART NUMBER	NOMENCLATURE 1234567	EFF CODE	QTY PER ASSY
01-352	HL1187-8		...COLLAR- (V5M902) (SPEC BACC30X8) (OPT HL87-8 (V73197)) (OPT HL87-8 (V92215)) (OPT HL1187-8 (V56878)) (OPT HL1187-8 (V92215)) (OPT HL87-8 (V56878)) (OPT HL1187-8 (V73197)) -----*	A,B	2
353	BACR15BA3AD		DELETED		
355	BRM100A3		DELETED		
356	272T1347-1		DELETED		
356A	272T1347-7		...BRACKET ASSY-HYDR	A	1
-356G	272T1347-2		...BRACKET ASSY-HYDR	B	1
357	287T0020-315		DELETED		
357G	HL10VAZ8-5		ATTACHING PARTS ...BOLT- (V60516) (SPEC BACB30MY8K5) (OPT B30MY8K5 (V97928)) -----*	A,B	3

57-53-31

 ILLUSTRATED PARTS LIST
 01.1 Page 1082
 Nov 01/03


BOEING
 COMPONENT
 MAINTENANCE MANUAL

FIG. & ITEM	PART NO.	AIRLINE PART NUMBER	NOMENCLATURE 1234567	EFF CODE	QTY PER ASSY
01- -358	287T0020-316		DELETED		
358G	HL79-8		ATTACHING PARTS ...COLLAR- (V5M902) (SPEC BACC30M8) (OPT HL79-8 (V73197)) (OPT HL79-8 (V92215)) (OPT 66014-8 (V56878)) (OPT HL79-8 (V56878)) -----*	A,B	3
359	BACR15FT6AD	RIVET- (SIZE DETERMINE ON INST)	A,B	2
359G	272T1347-4		DELETED		
359H	272T1347-8	BRACKET	A	1
-359J	272T1347-3	BRACKET	B	1
359M	272T1347-6	BRACKET	A	1
-359P	272T1347-5	BRACKET	B	1
360	113T1240-3		DELETED		
-360A	113T1240-23		DELETED		
360B	113T1240-35		...RIB ASSY- (USED ON ITEM 105B)	A	1
-360C	113T1240-39		...RIB ASSY- (USED ON ITEM 105C)	A	1
-360D	113T1240-45		...RIB ASSY- (OPT ITEM 360E) (USED ON ITEM 105D)	A	1
-360E	113T1240-35		...RIB ASSY- (OPT ITEM 360D) (USED ON ITEM 105D)	A	1

57-53-31

 ILLUSTRATED PARTS LIST
 01.1 Page 1082A
 Nov 01/03

FIG. & ITEM	PART NO.	AIRLINE PART NUMBER	NOMENCLATURE 1234567	EFF CODE	QTY PER ASSY
01-					
-365	113T1240-4		DELETED		
-365A	113T1240-24		DELETED		
-365B	113T1240-36		...RIB ASSY- (USED ON ITEMS 110B, 110G)	B	1
-365C	113T1240-40		...RIB ASSY- (USED ON ITEMS 110C, 110E)	B	1
-365D	113T1240-46		...RIB ASSY- (USED ON ITEM 110D)	B	1
-365E	113T1240-46		...RIB ASSY- (OPT ITEM 365F) (USED ON ITEM 110F)	B	1
-365F	113T1240-36		...RIB ASSY- (OPT ITEM 365E) (USED ON ITEM 110F)	B	1
370	113T1240-5		...RIB ASSY- (USED ON ITEM 105B)	A	1
-370A	113T1240-25		...RIB ASSY- (USED ON ITEM 105C)	A	1
-370B	113T1240-47		...RIB ASSY- (USED ON ITEM 105D)	A	1
-375A	113T1240-6		...RIB ASSY- (USED ON ITEMS 110B, 110G)	B	1
-375B	113T1240-26		...RIB ASSY- (USED ON ITEMS 110C, 110E)	B	1
-375C	113T1240-48		...RIB ASSY- (USED ON ITEMS 110D, 110F)	B	1
			ATTACHING PARTS		
380	BACB30MR6K40		...BOLT	A,B	6
385	BACW10BP6AC		...WASHER	A,B	6
390	BACW10BP6AP		...WASHER	A,B	6
395	BACN10GW6AS		...NUT	A,B	6
400	BACB30MR8K40		...BOLT	A,B	2
405	BACW10BP8AC		...WASHER	A,B	2

57-53-31

 ILLUSTRATED PARTS LIST
 01.1 Page 1082B
 Nov 01/03


BOEING
 COMPONENT
 MAINTENANCE MANUAL

FIG. & ITEM	PART NO.	AIRLINE PART NUMBER	NOMENCLATURE 1234567	EFF CODE	QTY PER ASSY
01-					
410	BACW10BP8AP		...WASHER	A,B	2
415	BACN10GW8AS		...NUT	A,B	2
420	HL12VAZ2-26		DELETED		
420A	HL1012AZ12-26		...BOLT- (VOPTK6) (SPEC BACB30NX12K26) (OPT HL12VAZ12-26 (V73197)) (OPT HL12VAZ12-26 (V92215)) (OPT HL12VAZ12-26 (V97928)) (OPT L802-12K26 (V06725)) (OPT HL1012AZ12-26 (V56878)) (OPT HL1012AZ12-26 (V06725)) (OPT HL1012AZ12-26 (V06950)) (OPT HL1012AZ12-26 (V17446)) (OPT HL12AZ12-26 (V56878)) (OPT HL1012AZ12-26 (V60516)) (OPT HL1012AZ12-26 (V73197)) (OPT HL1012AZ12-26 (V97928))	A,B	4
425	HL1187-12		...COLLAR- (V5M902) (SPEC BACC30X12) (OPT HL1187-12 (V73197)) (OPT HL1187-12 (V73197)) (OPT HL1187-12 (V56878)) (OPT HL1187-12 (V92215)) (OPT HL87-12 (V56878)) (OPT HL87-12 (V73197))	A,B	4

57-53-31

 ILLUSTRATED PARTS LIST
 01.1 Page 1082C
 Nov 01/03

FIG. & ITEM	PART NO.	AIRLINE PART NUMBER	NOMENCLATURE 1234567	EFF CODE	QTY PER ASSY
01-430	HL1012AZ10-11		...BOLT- (VOPTK6) (SPEC BACB30NX10K11) (OPT HL12VAZ10-11 (V73197)) (OPT HL12VAZ10-11 (V92215)) (OPT HL12VAZ10-11 (V97928)) (OPT L802-10K11 (V06725)) (OPT HL1012AZ10-11 (V06725)) (OPT HL1012AZ10-11 (V06950)) (OPT HL1012AZ10-11 (V17446)) (OPT HL1012AZ10-11 (V56878)) (OPT HL1012AZ10-11 (V60516)) (OPT HL1012AZ10-11 (V73197)) (OPT HL1012AZ10-11 (V97928)) (OPT HL12VAZ10-11 (V56878))	A,B	10

57-53-31

 ILLUSTRATED PARTS LIST
 01.1 Page 1082D
 Nov 01/03


BOEING
 COMPONENT
 MAINTENANCE MANUAL

FIG. & ITEM	PART NO.	AIRLINE PART NUMBER	NOMENCLATURE 1234567	EFF CODE	QTY PER ASSY
01-435	HL1012AZ10-19		...BOLT- (VOPTK6) (SPEC BACB30NX10K19) (OPT HL12VAZ10-19 (V73197)) (OPT HL12VAZ10-19 (V92215)) (OPT HL12VAZ10-19 (V97928)) (OPT L802-10K19 (V06725)) (OPT HL12VAZ10-19 (V56878)) (OPT HL1012AZ10-19 (V06725)) (OPT HL1012AZ10-19 (V06950)) (OPT HL1012AZ10-19 (V17446)) (OPT HL1012AZ10-19 (V56878)) (OPT HL1012AZ10-19 (V60516)) (OPT HL1012AZ10-19 (V73197)) (OPT HL1012AZ10-19 (V97928))	A,B	4
440	HL1187-10		...COLLAR- (V5M902) (SPEC BACC30X10) (OPT HL87-10 (V73197)) (OPT HL87-10 (V92215)) (OPT HL1187-10 (V56878)) (OPT HL1187-10 (V92215)) (OPT HL87-10 (V56878)) (OPT HL1187-10 (V73197))	A,B	14

57-53-31

 ILLUSTRATED PARTS LIST
 01.1 Page 1082E
 Nov 01/03

FIG. & ITEM	PART NO.	AIRLINE PART NUMBER	NOMENCLATURE 1234567	EFF CODE	QTY PER ASSY
01-445	HL1012AZ8-4		...BOLT- (VOPTK6) (SPEC BACB30NX8K4) (OPT HL12VAZ8-4 (V73197)) (OPT HL12VAZ8-4 (V92215)) (OPT HL12VAZ8-4 (V97928)) (OPT L802-8K4 (V06725)) (OPT HL12VAZ8-4 (V56878)) (OPT HL1012AZ8-4 (V06725)) (OPT HL1012AZ8-4 (V06950)) (OPT HL1012AZ8-4 (V17446)) (OPT HL1012AZ8-4 (V56878)) (OPT HL1012AZ8-4 (V60516)) (OPT HL1012AZ8-4 (V73197)) (OPT HL1012AZ8-4 (V97928))	A,B	8

57-53-31

 ILLUSTRATED PARTS LIST
 01.1 Page 1082F
 Nov 01/03

BOEING
 COMPONENT
 MAINTENANCE MANUAL

FIG. & ITEM	PART NO.	AIRLINE PART NUMBER	NOMENCLATURE 1234567	EFF CODE	QTY PER ASSY
01-447	HL1012AZ8-6		...BOLT- (VOPTK6) (SPEC BACB30NX8K6) (OPT HL12VAZ8-6 (V73197)) (OPT HL12VAZ8-6 (V92215)) (OPT HL12VAZ8-6 (V97928)) (OPT L802-8K6 (V06725)) (OPT HL12VAZ8-6 (V56878)) (OPT HL1012AZ8-6 (V06725)) (OPT HL1012AZ8-6 (V06950)) (OPT HL1012AZ8-6 (V17446)) (OPT HL1012AZ8-6 (V56878)) (OPT HL1012AZ8-6 (V60516)) (OPT HL1012AZ8-6 (V73197)) (OPT HL1012AZ8-6 (V97928))	A,B	2

57-53-31

ILLUSTRATED PARTS LIST
 01.1 Page 1082G
 Nov 01/03

FIG. & ITEM	PART NO.	AIRLINE PART NUMBER	NOMENCLATURE 1234567	EFF CODE	QTY PER ASSY
01-450	HL1012AZ8-12		...BOLT- (V97928) (SPEC BACB30NX8K12) (OPT HL12VAZ8-12 (V73197)) (OPT HL12VAZ8-12 (V92215)) (OPT HL12VAZ8-12 (V97928)) (OPT L802-8K12 (V06725)) (OPT HL12VAZ8-12 (V56878)) (OPT HL1012AZ8-12 (V73197)) (OPT HL1012AZ8-12 (V60516)) (OPT HL1012AZ8-12 (V56878)) (OPT HL1012AZ8-12 (V17446)) (OPT HL1012AZ8-12 (V06950)) (OPT HL1012AZ8-12 (V06725)) (OPT HL1012AZ8-12 (V0PTK6))	A,B	14

57-53-31

 ILLUSTRATED PARTS LIST
 01.1 Page 1082H
 Nov 01/03


BOEING
 COMPONENT
 MAINTENANCE MANUAL

FIG. & ITEM	PART NO.	AIRLINE PART NUMBER	NOMENCLATURE 1234567	EFF CODE	QTY PER ASSY
01-455	HL1012AZ8-8		...BOLT- (VOPTK6) (SPEC BACB30NX8K8) (OPT HL12VAZ8-8 (V73197)) (OPT HL12VAZ8-8 (V92215)) (OPT HL12VAZ8-8 (V97928)) (OPT L802-8K8 (V06725)) (OPT HL12VAZ8-8 (V56878)) (OPT HL1012AZ8-8 (V06725)) (OPT HL1012AZ8-8 (V06950)) (OPT HL1012AZ8-8 (V17446)) (OPT HL1012AZ8-8 (V56878)) (OPT HL1012AZ8-8 (V60516)) (OPT HL1012AZ8-8 (V73197)) (OPT HL1012AZ8-8 (V97928))	A,B	19
460	HL1187-8		...COLLAR- (V5M902) (SPEC BACC30X8) (OPT HL87-8 (V73197)) (OPT HL87-8 (V92215)) (OPT HL1187-8 (V56878)) (OPT HL1187-8 (V92215)) (OPT HL87-8 (V56878)) (OPT HL1187-8 (V73197))	A,B	43

57-53-31

 ILLUSTRATED PARTS LIST
 01.1 Page 1082I
 Nov 01/03

FIG. & ITEM	PART NO.	AIRLINE PART NUMBER	NOMENCLATURE 1234567	EFF CODE	QTY PER ASSY
01-463	HL10VAZ8-4		...BOLT- (V60516) (SPEC BACB30MY8K4) (OPT B30MY8K4 (V97928))	A,B	119
-465 466	HL10VAZ8-4 HL10VAZ8-8		DELETED ...BOLT- (V60516) (SPEC BACB30MY8K8) (OPT B30MY8K8 (V97928))	A,B	6
467	HL10VAZ8-6		...BOLT- (V60516) (SPEC BACB30MY8K6) (OPT B30MY8K6 (V97928))	A,B	6
468	HL79-8		...COLLAR- (V5M902) (SPEC BACC30M8) (OPT HL79-8 (V73197)) (OPT HL79-8 (V92215)) (OPT 66014-8 (V56878)) (OPT HL79-8 (V56878)) -----*	A,B	131
470	272T1347-1		DELETED		
-472	272T1347-2		DELETED		
473	HL10VAZ8-5		ATTACHING PARTS		
475	HL79-8		DELETED		

57-53-31

 ILLUSTRATED PARTS LIST
 01.1 Page 1082J
 Nov 01/03


BOEING
 COMPONENT
 MAINTENANCE MANUAL

FIG. & ITEM	PART NO.	AIRLINE PART NUMBER	NOMENCLATURE 1234567	EFF CODE	QTY PER ASSY
01-					
477	BACR15FT6AD		DELETED		
478	272T1347-4		DELETED		
-480	272T1347-3		DELETED		
482	272T1347-6		DELETED		
-483	272T1347-5		DELETED		
485	113T1242-7		DELETED		
-485A	113T1242-15		DELETED		
485B	113T1242-17		DELETED		
-485C	113T1242-19		DELETED		
485D	113T1242-23	RIB- (USED ON ITEMS 360B, 360D, 360E)	A	1
-485E	113T1242-27	RIB- (USED ON ITEM 360C)	A	1
-490	113T1242-8		DELETED		
-490A	113T1242-16		DELETED		
-490B	113T1242-18		DELETED		
-490C	113T1242-20		DELETED		
-490D	113T1242-24	RIB- (USED ON ITEMS 365B, 365D, 365E, 365F)	B	1
-490E	113T1242-28	RIB- (USED ON ITEM 365C)	B	1
495	113T1242-5		DELETED		
-495A	113T1242-13		DELETED		
495B	113T1242-21	RIB- (USED ON ITEM 360B, 360E)	A	1
-495C	113T1242-25	RIB- (USED ON ITEM 360C)	A	1
-495D	113T1242-31	RIB- (USED ON ITEM 360D)	A	1

57-53-31

 ILLUSTRATED PARTS LIST
 01.1 Page 1082K
 Nov 01/03

FIG. & ITEM	PART NO.	AIRLINE PART NUMBER	NOMENCLATURE 1234567	EFF CODE	QTY PER ASSY
01-					
-500	113T1242-6		DELETED		
-500A	113T1242-14		DELETED		
-500B	113T1242-22	RIB- (USED ON ITEM 365B, 365F)	B	1
-500C	113T1242-26	RIB- (USED ON ITEM 365C)	B	1
-500D	113T1242-32	RIB- (USED ON ITEM 365D, 365E)	B	1
505	113T1242-1	RIB- (USED ON ITEMS 370, 370B)	A	1
-505A	113T1242-9	RIB- (USED ON ITEM 370A)	A	1
-510	113T1242-2	RIB- (USED ON ITEMS 375A, 375C)	B	1
-510A	113T1242-10	RIB- (USED ON ITEM 375B)	B	1
515	113T1242-3	RIB- (USED ON ITEM 370)	A	1
-515A	113T1242-11	RIB- (USED ON ITEM 370A)	A	1
-515B	113T1242-29	RIB- (USED ON ITEM 370B)	A	1
-520	113T1242-4	RIB- (USED ON ITEM 375A)	B	1
-520A	113T1242-12	RIB- (USED ON ITEM 375B)	B	1
-520B	113T1242-30	RIB- (USED ON ITEM 375C)	B	1
522	BACS40R15C149F		...SHIM	A,B	1
524	BACS40RB200F		DELETED		
526	BACB28AM06B024		...BUSHING	A,B	1
528	BACB28AP04P024		...BUSHING	A,B	1
530	113T1347-100		...BUSHING	A,B	4
532	113T1347-76		...BUSHING	A,B	4
534	113T1347-73		...BUSHING	A,B	2
536	113T1347-74		...BUSHING	A,B	2

57-53-31

 ILLUSTRATED PARTS LIST
 01.1 Page 1082L
 Nov 01/03

BOEING
 COMPONENT
 MAINTENANCE MANUAL

FIG. & ITEM	PART NO.	AIRLINE PART NUMBER	NOMENCLATURE 1234567	EFF CODE	QTY PER ASSY
01-					
538	113T1347-53		...BUSHING	A,B	2
540	113T1347-54		...BUSHING	A,B	2
542	113T1347-64		...SPACER	A,B	4
544	113T1347-71		...BUSHING	A,B	2
546	113T1347-72		...BUSHING	A,B	2
548	113T1347-63		...SPACER	A,B	4
550	113T1240-20		...BEARING	A,B	2
551	113T1240-19		DELETED		
552	113T1265-1		...FITTING-STOP	A,B	1
554	113T1240-13		...PLATE	A	1
-556	113T1240-14		...PLATE	B	1
558	BACS40R11B21F		DELETED		
558A	BACS40R11E27F		...SHIM	A,B	1
560	BACF3F008V010NN		...FILLER	A,B	1
561	BACS40R8C10F		...FILLER	A,B	1
562	113T1240-18		...WEB	A,B	1
564	HL10VAZ6-3		...BOLT- (V60516) (SPEC BACB30MY6K3) (OPT B30MY6K3 (V97928))	A,B	10
565	HL10VAZ6-7		...BOLT- (V60516) (SPEC BACB30MY6K7) (OPT B30MY6K7 (V97928))	A,B	2
566	HL79-6		...COLLAR- (V5M902) (SPEC BACC30M6) (OPT HL79-6 (V73197)) (OPT HL79-6 (V92215)) (OPT 66014-6 (V56878)) (OPT HL79-6 (V56878))	A,B	12
568	BACS40R08C09F		...SHIM	A,B	2
570	BACN10GF12A02C		-----* ...NUTPLATE	A,B	1
572	BACR15BA3AD3		ATTACHING PARTS ...RIVET -----*	A,B	2

57-53-31

ILLUSTRATED PARTS LIST
 01.1 Page 1082M
 Nov 01/03

FIG. & ITEM	PART NO.	AIRLINE PART NUMBER	NOMENCLATURE 1234567	EFF CODE	QTY PER ASSY
01-574	HL10VAZ6-5		...BOLT- (V60516) (SPEC BACB30MY6K5) (OPT B30MY6K5 (V97928))	A,B	2
576	HL10VAZ6-4		...BOLT- (V60516) (SPEC BACB30MY6K4) (OPT B30MY6K4 (V97928))	A,B	4
578	HL79-6		...COLLAR- (V5M902) (SPEC BACC30M6) (OPT HL79-6 (V73197)) (OPT HL79-6 (V92215)) (OPT 66014-6 (V56878)) (OPT HL79-6 (V56878))	A,B	6
580	113T1240-27		...CLIP	A,B	1
582	113T1240-10		...CLIP	A,B	1
584	BACF3F011V012NN		...FILLER	A,B	1
585	BAC40R11C12F		DELETED		
585A	BACS40R11C12F		...SHIM	A,B	1
586	113T1240-8		DELETED		
586A	113T1240-31		...WEB	A,B	1
			ATTACHING PARTS		
587	HL10VAZ6-5		...BOLT- (V60516) (SPEC BACB30MY6K5) (OPT B30MY6K5 (V97928))	A,B	6

57-53-31

 ILLUSTRATED PARTS LIST
 01.1 Page 1082N
 Nov 01/03


BOEING
 COMPONENT
 MAINTENANCE MANUAL

FIG. & ITEM	PART NO.	AIRLINE PART NUMBER	NOMENCLATURE 1234567	EFF CODE	QTY PER ASSY
01-588	HL10VAZ6-4		...BOLT- (V60516) (SPEC BACB30MY6K4) (OPT B30MY6K4 (V97928))	A,B	6
589	L8006K6		...BOLT- (V06725) (SPEC BACB30MY6K6) (OPT HL10VAZ6-6 (VOPTK6))	A,B	6
590	HL10VAZ6-7		...BOLT- (V60516) (SPEC BACB30MY6K7) (OPT B30MY6K7 (V97928))	A,B	10
591	HL79-6		...COLLAR- (V5M902) (SPEC BACC30M6) (OPT HL79-6 (V73197)) (OPT HL79-6 (V92215)) (OPT 66014-6 (V56878)) (OPT HL79-6 (V56878)) -----*	A,B	28
592	113T1240-17		...SPACER	A,B	1
594	BACS40R15C15F		...SHIM	A,B	2
596	113T1240-11		...WEB- (USED ON ITEMS 105B, 105C, 110B, 110C, 110E, 110G)	A,B	1

57-53-31

 ILLUSTRATED PARTS LIST
 01.1 Page 10820
 Nov 01/03

FIG. & ITEM	PART NO.	AIRLINE PART NUMBER	NOMENCLATURE 1234567	EFF CODE	QTY PER ASSY
01- -596A	113T1240-41		...WEB- (USED ON ITEMS 105D, 110D, 110F)	A,B	1
598	MS15001-1		...FITTING	A,B	4
600	HL10VAZ8-5		...BOLT- (V60516) (SPEC BACB30MY8K5) (OPT B30MY8K5 (V97928))	A,B	3
602	HL79-8		...COLLAR- (V5M902) (SPEC BACC30M8) (OPT HL79-8 (V73197)) (OPT HL79-8 (V92215)) (OPT 66014-8 (V56878)) (OPT HL79-8 (V56878))	A,B	3
604	BACS40R12C103		DELETED		
604A	BACS40R12C103F		...SHIM	A,B	1
606	113T1243-1		...BULKHEAD- (OPT ITEM 606A)	A	1
-606A	113T1243-3		...BULKHEAD- (OPT ITEM 606) (USED ON ITEMS 105B, 105D)	A	1
-607	113T1243-1		DELETED		
-608	113T1243-2		...BULKHEAD- (OPT ITEM 608A)	B	1
-608A	113T1243-4		...BULKHEAD- (OPT ITEM 608) (USED ON ITEMS 110B, 110D, 110E, 110F, 110G)	B	1

57-53-31

 ILLUSTRATED PARTS LIST
 01.1 Page 1082P
 Nov 01/03


BOEING
 COMPONENT
 MAINTENANCE MANUAL

FIG. & ITEM	PART NO.	AIRLINE PART NUMBER	NOMENCLATURE 1234567	EFF CODE	QTY PER ASSY
01-					
-610	113T1243-2		DELETED		
-618	113T2000-5		DELETED		
-618A	113T2000-41		.ARM INSTL-DRIVE	A	1
-620	113T2000-6		DELETED		
-620A	113T2000-42		.ARM INSTL-DRIVE	B	1
-622	113T2000-5001		DELETED		
-622A	113T2000-5003		DELETED		
-622B	113T2000-5015		..ARM INSTL-DRIVE (REPLD BY ITEM 622C)	A	1
-622C	113T2000-5013		..ARM INSTL-DRIVE (REPLS ITEM 622B)	A	1
-624	113T2000-5002		DELETED		
-624A	113T2000-5004		DELETED		
-624B	113T2000-5016		..ARM INSTL-DRIVE (REPLD BY ITEM 624C)	B	1
-624C	113T2000-5014		..ARM INSTL-DRIVE (REPLS ITEM 624B)	B	1
626	65B19247-1		...NUT	A,B	1
628	113T1254-5		...WASHER	A,B	1
630	BACB30MR6K28		...BOLT	A,B	2
631	BACB30MK6K30		DELETED		
631A	BACB30MR6K30		...BOLT	A,B	3
632	BACB30LR6-27		...BOLT	A,B	1
634	BACW10BP6AC		...WASHER	A,B	5
636	BACW10BP6AP		...WASHER	A,B	6
638	NAS1805-6		...NUT	A,B	6
640	BACB30MR7K29		DELETED		
640A	BACB30MR7K30		DELETED		
640B	BACB30MR7K29		...BOLT	A,B	10
642	BACB30LR7-29		...BOLT	A,B	4
644	BACW10BP7AC		...WASHER	A,B	10
646	BACW10BP7AP		...WASHER	A,B	14
648	NAS1805-7		...NUT	A,B	14
650	113T1261-1		...RETAINER-BRG (OPT ITEM 650A)	A	1
-650A	113T1283-3		...RETAINER-BRG (OPT ITEM 650)	A	1
-651	113T1261-2		...RETAINER-BRG (OPT ITEM 651A)	B	1
-651A	113T1283-4		...RETAINER-BRG (OPT ITEM 651)	B	1
652	113T1261-3		DELETED		
652A	113T1261-11		...RETAINER ASSY-BRG (OPT ITEM 652B)	A	1

57-53-31

 ILLUSTRATED PARTS LIST
 01.1 Page 1082Q
 Nov 01/03

FIG. & ITEM	PART NO.	AIRLINE PART NUMBER	NOMENCLATURE 1234567	EFF CODE	QTY PER ASSY
01-					
-652B	113T1283-1		...RETAINER ASSY-BRG (OPT ITEM 652A)	A	1
-653	113T1261-4		DELETED		
-653A	113T1261-12		...RETAINER ASSY-BRG (OPT ITEM 653B)	B	1
-653B	113T1283-2		...RETAINER ASSY-BRG (OPT ITEM 653A)	B	1
654	113T1261-5		DELETED		
654A	113T1261-13		DELETED		
654B	113T1261-15		...RETAINER ASSY-BRG	A	1
-655	113T1261-6		DELETED		
-655A	113T1261-14		DELETED		
-655B	113T1261-16		...RETAINER ASSY-BRG	B	1
656	113T1261-7	RETAINER-BRG (USED ON ITEM 652A)	A	1
-657	113T1261-8	RETAINER-BRG (USED ON ITEM 653A)	B	1
658	113T1261-9		DELETED		
658A	113T1261-17	RETAINER-BRG (USED ON ITEM 654B)	A	1
-660	113T1261-10		DELETED		
-660A	113T1261-18	RETAINER-BRG (USED ON ITEM 655B)	B	1
661	MS15001-1	FITTING	A,B	2
662	113T1251-1		...RING-REACTION	A	1
-664	113T1251-2		...RING-REACTION	B	1
666	113T1361-3		...SHIM	A,B	1
668	113T1256-29		...SEAL	A,B	4
-668A	113T1256-46		DELETED		
670	113T1347-67		...BUSHING	A,B	1
672	60B00178-20		DELETED		
672A	DAT76-102A1-503		DELETED		
672B	B8942CL		...BEARING- (V60380) (SPEC 60B00178-24)	A,B	2
-672C	SB1136		...BEARING- (V92563) (SPEC 60B00178-24)	A,B	2
674	113T1228-1		...SHAFT	A	1
-676	113T1228-2		...SHAFT	B	1

57-53-31

 ILLUSTRATED PARTS LIST
 01.1 Page 1082R
 Nov 01/03


BOEING
 COMPONENT
 MAINTENANCE MANUAL

FIG. & ITEM	PART NO.	AIRLINE PART NUMBER	NOMENCLATURE 1234567	EFF CODE	QTY PER ASSY
01-678	113T1227-1		...ARM ASSY-4/5 (OPT ITEM 678A) (USED ON ITEM 622B) (PRE SB 767-27-0080)	A	1
-678A	113T1227-3		...ARM ASSY-4/5 (OPT ITEM 678) (USED ON ITEM 622B)	A	1
-678B	113T1227-1		...ARM ASSY-4/5 (USED ON ITEM 622C) (PRE SB 767-27-0080)	A	1
-678C	113T1227-13		...ARM ASSY-4/5 (POST SB 767-27-0080)	A	1
-680	113T1227-2		...ARM ASSY-4/5 (OPT ITEM 680A) (USED ON ITEM 624B) (PRE SB 767-27-0080)	B	1
-680A	113T1227-4		...ARM ASSY-4/5 (OPT ITEM 680) (USED ON ITEM 624B)	B	1
-680B	113T1227-2		...ARM ASSY-4/5 (USED ON ITEM 624C) (PRE SB 767-27-0080)	B	1
-680C	113T1227-14		...ARM ASSY-4/5 (POST SB 767-27-0080)	B	1
R 682	HL448UC8-12		DELETED		
R 682A	BACB30NR4K12	BOLT	A,B	2
683	BACW10BP4AP	WASHER	A,B	4
684	BACC30Z8PB		DELETED		
684A	HL1187-8		DELETED		

57-53-31

 ILLUSTRATED PARTS LIST
 01.1 Page 1082S
 Nov 01/03

FIG. & ITEM	PART NO.	AIRLINE PART NUMBER	NOMENCLATURE 1234567	EFF CODE	QTY PER ASSY
R 01-684B	BRH10A4	NUT- (V52828) (SPEC BACN10JC4) (OPT T6S428J (V11815)) (OPT 96-048 (V80539)) (OPT VN303A048 (V92215)) (OPT RMLH9075-4W (V72962)) (OPT NS202101-048 (V80539)) (OPT H10-4BAC (V15653)) (USED ON ITEM 678, 678A, 678B, 680, 680A, 680B)	A,B	2
R -684C	BRH10C4D	NUT- (V52828) (SPEC BACN10JC4CD) (OPT T6C428JCD (V11815)) (OPT NS202486-048 (V80539)) (OPT 102LH9075-4W (V72962)) (OPT H51650-4BAC (V15653)) (USED ON ITEM 687C, 680C)	A,B	2
686	113T1347-51	BUSHING	A,B	2
688	113T1347-52	BUSHING	A,B	2
690	113T1347-66	BUSHING	A,B	1
692	113T1227-5	FITTING- (USED ON ITEM 678)	A	1
-692A	113T1227-9	FITTING- (USED ON ITEM 678A)	A	1
-692B	113T1227-15	FITTING- (OPT ITEM 692C) (USED ON ITEM 678C)	A	1
-692C	113T1227-21	FITTING- (OPT ITEM 692B) (USED ON ITEM 678C)	A	1

57-53-31

 ILLUSTRATED PARTS LIST
 01.1 Page 1082T
 Nov 01/03

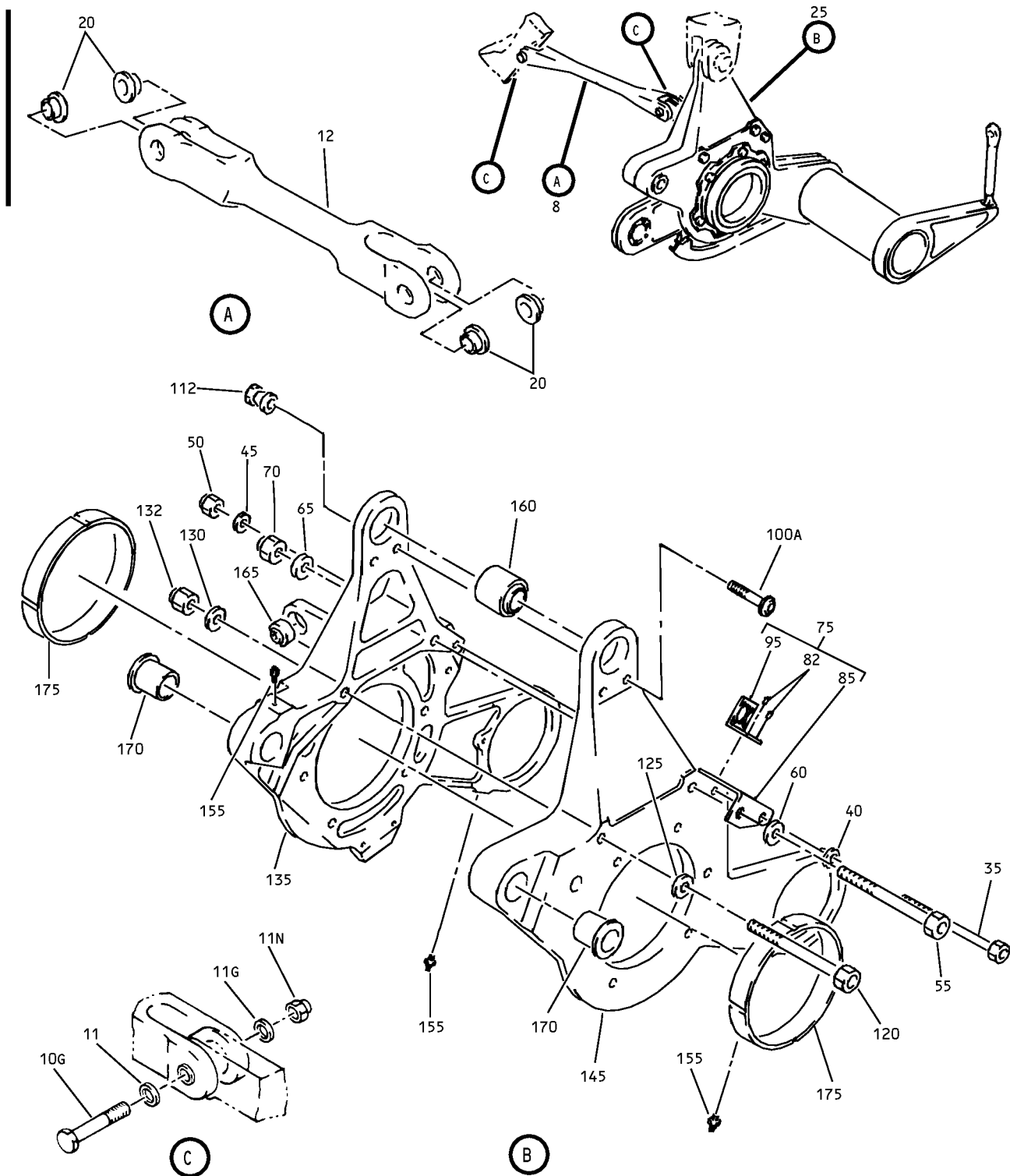

BOEING
 COMPONENT
 MAINTENANCE MANUAL

FIG. & ITEM	PART NO.	AIRLINE PART NUMBER	NOMENCLATURE 1234567	EFF CODE	QTY PER ASSY
01- -694	113T1227-6	FITTING- (USED ON ITEM 680)	B	1
-694A	113T1227-10	FITTING- (USED ON ITEM 680A)	B	1
-694B	113T1227-16	FITTING- (OPT ITEM 694C) (USED ON ITEM 680C)	B	1
-694C	113T1227-22	FITTING- (OPT ITEM 694B) (USED ON ITEM 680C)	B	1
696	113T1227-7	FITTING- (USED ON ITEM 678)	A	1
-696A	113T1227-11	FITTING- (USED ON ITEM 678A)	A	1
-696B	113T1227-17	FITTING- (OPT ITEM 696C) (USED ON ITEM 678C)	A	1
-696C	113T1227-23	FITTING- (OPT ITEM 696B) (USED ON ITEM 678C)	A	1
-698	113T1227-8	FITTING- (USED ON ITEM 680)	B	1
-698A	113T1227-12	FITTING- (USED ON ITEM 680A)	B	1
-698B	113T1227-18	FITTING- (OPT ITEM 698C) (USED ON ITEM 680C)	B	1
-698C	113T1227-24	FITTING- (OPT ITEM 698B) (USED ON ITEM 680C)	B	1
700	256T3650-5		DELETED		
-702	256T3650-6		DELETED		
704	S256T007-4		DELETED		
704A	18-1958-4		DELETED		
706	256T3653-1		DELETED		
-708	256T3653-2		DELETED		
710	NAS6603-3		DELETED		
712	AN960PC10L		DELETED		
712A	AN960PD10L		DELETED		
			BOEING LETTER HISTORY		

- Item Not Illustrated

57-53-31

ILLUSTRATED PARTS LIST
 01.1 Page 1082U
 Nov 01/03



Inboard Trailing Edge Flap Support Assembly
 Figure 2

57-53-31

ILLUSTRATED PARTS LIST
 01.1 Page 1082V
 Nov 01/03

BOEING
 COMPONENT
 MAINTENANCE MANUAL

FIG. & ITEM	PART NO.	AIRLINE PART NUMBER	NOMENCLATURE 1234567	EFF CODE	QTY PER ASSY
02-			DELETED		
-1	113T1200-7		DELETED		
-1A	113T1200-15		SUPPORT ASSY-INBD TE FLAP FLAP (LH)	C	RF
-1B	113T1200-17		SUPPORT ASSY-INBD TE FLAP FLAP (LH)	E	RF
-1C	113T1200-25		DELETED		
-1D	113T1200-41		DELETED		
-1E	113T1200-45		SUPPORT ASSY-INBD TE FLAP FLAP (VARIABLE) (LH)	S	RF
-1F	113T1200-55		SUPPORT ASSY-INBD TE FLAP FLAP (LH)	AA	RF
-1G	113T1200-97		SUPPORT ASSY-INBD TE FLAP FLAP (LH)	AS	RF
-1H	113T1200-101		SUPPORT ASSY-INBD TE FLAP FLAP (LH)	AT	RF
-1J	113T1200-109		SUPPORT ASSY-INBD TE FLAP FLAP (VARIABLE) (LH)	AU	RF
-5	113T1200-8		DELETED		
-5A	113T1200-16		SUPPORT ASSY-INBD TE FLAP FLAP (RH)	D	RF
-5B	113T1200-18		SUPPORT ASSY-INBD TE FLAP FLAP (RH)	F	RF
-5C	113T1200-26		DELETED		
-5D	113T1200-42		DELETED		
-5E	113T1200-46		SUPPORT ASSY-INBD TE FLAP FLAP (VARIABLE) (RH)	T	RF
-5F	113T1200-56		SUPPORT ASSY-INBD TE FLAP FLAP (RH)	AB	RF
-5G	113T1200-98		SUPPORT ASSY-INBD TE FLAP FLAP (RH)	AV	RF
-5H	113T1200-102		SUPPORT ASSY-INBD TE FLAP FLAP (RH)	AW	RF
-5J	113T1200-110		SUPPORT ASSY-INBD TE FLAP FLAP (VARIABLE) (RH)	AX	RF
8	113T1234-3		.LINK ASSY-SIDE	C,E,S ,AA,A S-AU	1
-10	113T1234-1		.LINK ASSY-SIDE	D,F,T ,AB,A V-AX	1
10G	BACB30LJ6SU18		ATTACHING PARTS .BOLT- (OPT ITEM 10H)	C-F,S ,T,AA ,AB,A S-AX	2

57-53-31

ILLUSTRATED PARTS LIST
 01.1 Page 1082W
 Nov 01/03

FIG. & ITEM	PART NO.	AIRLINE PART NUMBER	NOMENCLATURE 1234567	EFF CODE	QTY PER ASSY
02- -10H	BACB30NR6K18		.BOLT- (OPT ITEM 10G)	C-F,S ,T,AA ,AB,A S-AX	2
11	BACW10BP6AC		.WASHER	C-F,S ,T,AA ,AB,A S-AX	2
11G	BACW10BP6AP		.WASHER	C-F,S ,T,AA ,AB,A S-AX	2
11N	NAS1804-6		.NUT	C-F,S ,T,AA ,AB,A S-AX	2
			-----*		
12	113T1234-4		..LINK	C,E,S ,AA,A S-AU	1
-15	113T1234-2		..LINK	D,F,T ,AB,A V-AX	1
20	BACB28AP06P020		..BUSHING	C-F,S ,T,AA ,AB,A S-AX	4
25	113T1231-1		.FITTING ASSY	C	1
-25A	113T1231-7		.FITTING ASSY	S	1
-25B	113T1231-9		.FITTING ASSY- (OPT ITEM 25C)	AA,A S-AU	1
-25C	113T1253-1		.FITTING ASSY- (OPT ITEM 25B)	AA,A S-AU	1
-25D	113T1231-9		.FITTING ASSY- (OPT ITEM 25E, 25F)	E	1
-25E	113T1231-7		.FITTING ASSY- (OPT ITEM 25D, 25F)	E	1
-25F	113T1253-1		.FITTING ASSY- (OPT ITEM 25D, 25E)	E	1
-30	113T1231-2		.FITTING ASSY	D	1
-30A	113T1231-8		.FITTING ASSY	T	1
-30B	113T1231-10		.FITTING ASSY- (OPT ITEM 30C)	AB,A V-AX	1
-30C	113T1253-2		.FITTING ASSY- (OPT ITEM 30B)	AB,A V-AX	1

57-53-31

 ILLUSTRATED PARTS LIST
 01.1 Page 1082X
 Nov 01/03


BOEING
 COMPONENT
 MAINTENANCE MANUAL

FIG. & ITEM	PART NO.	AIRLINE PART NUMBER	NOMENCLATURE 1234567	EFF CODE	QTY PER ASSY
02- -30D	113T1231-10		.FITTING ASSY- (OPT ITEM 30E, 30F)	F	1
-30E	113T1231-8		.FITTING ASSY- (OPT ITEM 30D, 30F)	F	1
-30F	113T1253-2		.FITTING ASSY- (OPT ITEM 30D, 30E)	F	1
35	BACB30NM6K79		..BOLT	C-F,S ,T,AA ,AB,A S-AX	1
40	BACW10BP6CD		..WASHER	C-F,S ,T,AA ,AB,A S-AX	1
45	BACW10BP6DP		..WASHER	C-F,S ,T,AA ,AB,A S-AX	1
50	NAS1804-6		..NUT- (USED ON ITEMS 25A, 25E, 30A, 30E)	E,F,S ,T	1
-50A	NAS1805-6L		..NUT- (USED ON ITEMS 25B, 25C, 25D, 25F, 30B, 30C, 30D, 30F)	E,F,A A,AB, AS-AX	1
55	BACB30NM8K79		..BOLT	C-F,S ,T,AA ,AB,A S-AX	1

57-53-31

ILLUSTRATED PARTS LIST

01.1 Page 1082Y

Nov 01/03

FIG. & ITEM	PART NO.	AIRLINE PART NUMBER	NOMENCLATURE 1234567	EFF CODE	QTY PER ASSY
02-60	BACW10BP8CD		..WASHER	C-F,S ,T,AA ,AB,A S-AX	1
65	BACW10BP8DP		..WASHER	C-F,S ,T,AA ,AB,A S-AX	1
70	NAS1804-8		..NUT- (USED ON ITEMS 25B, 25D, 25E, 30B, 30D, 30E)	C-F,S ,T,AA ,AB,A S-AX	1
-70A	NAS1805-8L		..NUT- (USED ON ITEMS 25C, 25F, 30C, 30F)	E,F,A A,AB, AS-AX	1
75	287T4904-1		..BRACKET ASSY	C	1
-75A	287T4904-7		..BRACKET ASSY	E,S,A A,A S-AU	1
-80	287T4904-2		..BRACKET ASSY	D	1
-80A	287T4904-8		..BRACKET ASSY	F,T,A B,A V-AX	1
82	BACR15FT5AD		...RIVET- (SIZE DETERMINE ON INST)	C-F,S ,T,AA ,AB,A S-AX	2
85	287T4904-3		...ANGLE	C,E,S ,AA,A S-AU	1

57-53-31

 ILLUSTRATED PARTS LIST
 01.1 Page 1082Z
 Nov 01/03


BOEING
 COMPONENT
 MAINTENANCE MANUAL

FIG. & ITEM	PART NO.	AIRLINE PART NUMBER	NOMENCLATURE 1234567	EFF CODE	QTY PER ASSY
02- -90	287T4904-4		... ANGLE	D, F, T , AB, A V-AX	1
95	287T4904-5		... ANGLE	C, E, S , AA, A S-AU	1
-97	287T4904-6		... ANGLE	D, F, T , AB, A V-AX	1
100 100A	BACB30NM5K21 HL1012AZ10-21		DELETED ..BOLT- (VOPTK6) (SPEC BACB30NX10K21) (OPT HL12VAZ10-21 (V73197)) (OPT HL12VAZ10-21 (V92215)) (OPT HL12VAZ10-21 (V97928)) (OPT L802-10K21 (V06725)) (OPT HL12VAZ10-21 (V56878)) (OPT HL1012AZ10-21 (V06725)) (OPT HL1012AZ10-21 (V06950)) (OPT HL1012AZ10-21 (V17446)) (OPT HL1012AZ10-21 (V56878)) (OPT HL1012AZ10-21 (V60516)) (OPT HL1012AZ10-21 (V73197)) (OPT HL1012AZ10-21 (V97928))	C-F, S , T, AA , AB, A S-AX	2
105	BACW10BP5CD		DELETED		
110	BACW10BP5DP		DELETED		

57-53-31

ILLUSTRATED PARTS LIST

01.1

Page 1083

Nov 01/03

FIG. & ITEM	PART NO.	AIRLINE PART NUMBER	NOMENCLATURE 1234567	EFF CODE	QTY PER ASSY
02-112	HL1187DU10		..COLLAR- (V5M902) (SPEC BACC30X10S) (OPT HL87DU10 (V73197)) (OPT HL87DU10 (V92215)) (OPT HL1187DU10 (V56878)) (OPT HL1187DU10 (V92215)) (OPT HL87DU10 (V56878)) (OPT HL1187DU10 (V73197)) (USED ON ITEMS 25B, 25D, 25E, 30B, 30D, 30E)	C-F,S ,T,AA ,AB,A S-AX	2
-112A	BACN10YT10		..NUT- (USED ON ITEMS 25C, 25F, 30C, 30F)	E,F,A A,AB, AS-AX	2
115	NAS1804-5		DELETED		
120	BACB30NM8K78		..BOLT	C-F,S ,T,AA ,AB,A S-AX	1
125	BACW10BP8CD		..WASHER	C-F,S ,T,AA ,AB,A S-AX	1
130	BACW10BP8DP		..WASHER	C-F,S ,T,AA ,AB,A S-AX	1
132	NAS1804-8		..NUT- (USED ON ITEMS 25E, 30E)	E,F,S ,T	1
-132A	NAS1805-8L		..NUT- (USED ON ITEMS 25B, 25C, 25D, 25F, 30B, 30C, 30D, 30F)	E,F,A A,AB, AS-AX	1
135	113T1231-3		..FITTING HALF- (USED ON ITEM 25E)	C,E,S	1
-135A	113T1231-11		..FITTING HALF- (OPT ITEM 135C) (USED ON ITEMS 25B, 25D)	E,AA, AS-AU	1

57-53-31

ILLUSTRATED PARTS LIST

01.1

Page 1084

Nov 01/03


BOEING
 COMPONENT
 MAINTENANCE MANUAL

FIG. & ITEM	PART NO.	AIRLINE PART NUMBER	NOMENCLATURE 1234567	EFF CODE	QTY PER ASSY
02- -135B	113T1253-3		..FITTING HALF- (USED ON ITEMS 25C, 25F)	E,AA, AS-AU	1
-135C	113T1231-15		..FITTING- (OPT ITEM 135A) (USED ON ITEMS 25B, 25D)	E,AA, AS-AU	1
-140	113T1231-4		..FITTING HALF- (USED ON ITEM 30E)	D,F,T	1
-140A	113T1231-12		..FITTING HALF- (OPT ITEM 140C) (USED ON ITEMS 30B, 30D)	F,AB, AV-AX	1
-140B	113T1253-4		..FITTING HALF- (USED ON ITEMS 30C, 30F)	F,AB, AV-AX	1
-140C	113T1231-16		..FITTING HALF- (OPT ITEM 140A) (USED ON ITEMS 30B, 30D)	F,AB, AV-AX	1
145	113T1231-5		..FITTING HALF- (USED ON ITEM 25E)	C,E,S	1
-145A	113T1231-13		..FITTING HALF- (OPT ITEM 145C) (USED ON ITEMS 25B, 25D)	E,AA, AS-AU	1
-145B	113T1253-5		..FITTING HALF- (USED ON ITEMS 25C, 25F)	E,AA, AS-AU	1
-145C	113T1231-17		..FITTING HALF- (OPT ITEM 145A) (USED ON ITEMS 25B, 25D)	E,AA, AS-AU	1
-150	113T1231-6		..FITTING HALF- (USED ON ITEM 30E)	D,F,T	1
-150A	113T1231-14		..FITTING HALF- (OPT ITEM 150C) (USED ON ITEMS 30B, 30D)	F,AB, AV-AX	1
-150B	113T1253-6		..FITTING HALF- (USED ON ITEMS 30C, 30F)	F,AB, AV-AX	1
-150C	113T1231-18		..FITTING HALF- (OPT ITEM 150A) (USED ON ITEMS 30B, 30D)	F,AB, AV-AX	1

57-53-31

 ILLUSTRATED PARTS LIST
 01.1 Page 1084A
 Nov 01/03

FIG. & ITEM	PART NO.	AIRLINE PART NUMBER	NOMENCLATURE 1234567	EFF CODE	QTY PER ASSY
02-155	MS15001-1		..FITTING	C-F,S ,T,AA ,AB,A S-AX	3
160	ADW12-301NC		..BEARING- (V15860) (SPEC BACB10FA12C) (OPT KSC152200BZ12C (V50632)) (OPT KWDB12-34 (V97613)) (OPT WHTFA12C (V50294)) (OPT WRRS12FAC (V73134)) (OPT ADW12-301NC (V15860))	C-F,S ,T,AA ,AB,A S-AX	1
165	ADW06V301NC		..BEARING- (V15860) (SPEC BACB10FA06GC) (OPT SWKRS06-350SC (V81376)) (OPT KSC152200BZ06GC (V50632)) (OPT KWDB06-35 (V97613)) (OPT WES06FAGC (V73134)) (OPT WHTFA06VC (VS0352))	C-F,S ,T,AA ,AB,A S-AX	1

57-53-31

 ILLUSTRATED PARTS LIST
 01.1 Page 1084B
 Nov 01/03


BOEING
 COMPONENT
 MAINTENANCE MANUAL

FIG. & ITEM	PART NO.	AIRLINE PART NUMBER	NOMENCLATURE 1234567	EFF CODE	QTY PER ASSY
02-170	BACB28AP18P150		..BUSHING	C-F,S ,T,AA ,AB,A S-AX	2
175	113T1312-5		..BEARING	C-F,S ,T,AA ,AB,A S-AX	1
-180	113T2000-9		DELETED		
-180A	113T2000-43		.DRIVE INSTL	C,E	1
-180B	113T2000-79		.DRIVE INSTL	AA	1
-180C	113T2000-93		.DRIVE INSTL-(VARIABLE) (FOR DETAILS SEE FIG. 5)	S	1
-180D	113T2000-179		.DRIVE INSTL- (FOR DETAILS SEE FIG. 5)	AS	1
-180E	113T2000-181		.DRIVE INSTL- (FOR DETAILS SEE FIG. 5)	AT	1
-180F	113T2000-197		.DRIVE INSTL-(VARIABLE) (FOR DETAILS SEE FIG. 5)	AU	1
-185	113T2000-10		DELETED		
-185A	113T2000-44		.DRIVE INSTL	D,F	1
-185B	113T2000-80		.DRIVE INSTL	AB	1
-185C	113T2000-94		.DRIVE INSTL-(VARIABLE) (FOR DETAILS SEE FIG. 5)	T	1
-185D	113T2000-180		.DRIVE INSTL- (FOR DETAILS SEE FIG. 5)	AV	1
-185E	113T2000-182		.DRIVE INSTL- (FOR DETAILS SEE FIG. 5)	AW	1
-185F	113T2000-198		.DRIVE INSTL-(VARIABLE) (FOR DETAILS SEE FIG. 5)	AX	1

57-53-31

 ILLUSTRATED PARTS LIST
 01.1 Page 1084C
 Nov 01/03

FIG. & ITEM	PART NO.	AIRLINE PART NUMBER	NOMENCLATURE 1234567	EFF CODE	QTY PER ASSY
02-					
-187	113T2000-5009		DELETED		
-187A	113T2000-5011		DELETED		
-187B	113T2000-5017		DELETED		
-187C	113T2000-5019		..DRIVE INSTL- (REPLD BY ITEMS 187D, 187E, 187H) (FOR DETAILS SEE FIG. 5)	C,E	1
-187D	113T2000-5035		..DRIVE INSTL- (REPLS ITEMS 187C, 187E, 187H) (FOR DETAILS SEE FIG. 5)	C,E	1
-187E	113T2000-5039		..DRIVE INSTL- (REPLS ITEM 187C) (REPLD BY ITEMS 187D, 187H) (FOR DETAILS SEE FIG. 5)	C,E	1
-187F	113T2000-5045		..DRIVE INSTL- (REPLD BY ITEM 187G) (FOR DETAILS SEE FIG. 5)	AA	1
-187G	113T2000-5043		..DRIVE INSTL- (REPLS ITEM 187F) (FOR DETAILS SEE FIG. 5)	AA	1
-187H	113T2000-5053		..DRIVE INSTL- (REPLS ITEMS 187C, 187E) (REPLD BY ITEM 187D) (FOR DETAILS SEE FIG. 5)	C,E	1
-187J	113T2000-5091		..DRIVE INSTL- (LIMITED) (FOR DETAILS SEE FIG. 5)	AA	1
-189	113T2000-5010		DELETED		
-189A	113T2000-5012		DELETED		
-189B	113T2000-5018		DELETED		

57-53-31

 ILLUSTRATED PARTS LIST
 01.1 Page 1084D
 Nov 01/03


BOEING
 COMPONENT
 MAINTENANCE MANUAL

FIG. & ITEM	PART NO.	AIRLINE PART NUMBER	NOMENCLATURE 1234567	EFF CODE	QTY PER ASSY
02- -189C	113T2000-5020		..DRIVE INSTL- (REPLD BY ITEMS 189D, 189E, 189H) (FOR DETAILS SEE FIG. 5)	D,F	1
-189D	113T2000-5036		..DRIVE INSTL- (REPLS ITEMS 189C, 189E, 189H) (FOR DETAILS SEE FIG. 5)	D,F	1
-189E	113T2000-5040		..DRIVE INSTL- (REPLS ITEM 189C) (REPLD BY ITEMS 189D, 189H) (FOR DETAILS SEE FIG. 5)	D,F	1
-189F	113T2000-5046		..DRIVE INSTL- (REPLD BY ITEM 189G) (FOR DETAILS SEE FIG. 5)	AB	1
-189G	113T2000-5044		..DRIVE INSTL- (REPLS ITEM 189F) (FOR DETAILS SEE FIG. 5)	AB	1
-189H	113T2000-5054		..DRIVE INSTL- (REPLS ITEMS 189C, 189E) (REPLD BY ITEM 189D) (FOR DETAILS SEE FIG. 5)	D,F	1
-189J	113T2000-5092		..DRIVE INSTL- (LIMITED) (FOR DETAILS SEE FIG. 5)	AB	1
190	113T1293-1		DELETED		
190A	113T1293-3		DELETED		
			ATTACHING PARTS		
191	BACB30LJ4U15		DELETED		
192	BACW10BP4AC		DELETED		
193	BACB28AK04-033		DELETED		
194	BACW10BP4AP		DELETED		
194G	NAS1804-4		DELETED		
195	S012T235-104-78		DELETED		
195A	ARNM4-101KL		DELETED		
195B	BCREF7978		DELETED		
195C	ARNM4-101KLC		DELETED		
196	NAS509L6		DELETED		
198	NAS513-6		DELETED		
200	S012T235-104-7		DELETED		
200A	MSSRRSK04FB		DELETED		
200B	S012T235-104-70		DELETED		
-200C	ARNM4-101KM		DELETED		

57-53-31

 ILLUSTRATED PARTS LIST
 01.1 Page 1084E
 Nov 01/03

FIG. & ITEM	PART NO.	AIRLINE PART NUMBER	NOMENCLATURE 1234567	EFF CODE	QTY PER ASSY
02-					
202	NAS509-6		DELETED		
204	BACR15FT10KE		DELETED		
205	113T1293-2		DELETED		
205A	113T1293-4		DELETED		
205G	BACR15FT10KE		DELETED		
206	113T1252-1		DELETED		
-206A	113T1252-1		DELETED		
-206B	113T1371-1		DELETED		
208	BACB28AM06B014A		DELETED		
209	BACB28AP04P013		DELETED		
209G	113T1252-2		DELETED		
-209H	113T1371-2		DELETED		
210	113T1215-1		DELETED		
-210A	113T1215-2		DELETED		
-210B	113T1215-7		DELETED		
-210C	113T1215-13		DELETED		
-210D	113T1215-19		DELETED		
-212	113T1215-2		DELETED		
-212A	113T1215-8		DELETED		
-212B	113T1215-14		DELETED		
-212C	113T1215-20		DELETED		
215	BACB30LR3P8		DELETED		
220	113T1267-11		DELETED		
225	113T1267-12		DELETED		
230	113T1256-28		DELETED		
235	BAC60B00180		DELETED		
235A	60B00180-243		DELETED		
235B	ABS16-101		DELETED		
240	HL448UC8-4		DELETED		
242	HL448UC8-6		DELETED		

57-53-31

 ILLUSTRATED PARTS LIST
 01.1 Page 1084F
 Nov 01/03


BOEING
 COMPONENT
 MAINTENANCE MANUAL

FIG. & ITEM	PART NO.	AIRLINE PART NUMBER	NOMENCLATURE 1234567	EFF CODE	QTY PER ASSY
02-					
245	BACC30Z8PB		DELETED		
-245A	HL1187-8		DELETED		
248	113T1312-6		DELETED		
250	113T1215-3		DELETED		
-250A	113T1215-4		DELETED		
-250B	113T1215-9		DELETED		
-250C	113T1215-15		DELETED		
-250D	113T1215-21		DELETED		
-252	113T1215-4		DELETED		
-252A	113T1215-10		DELETED		
-252B	113T1215-16		DELETED		
-252C	113T1215-22		DELETED		
255	113T1215-5		DELETED		
-255A	113T1215-6		DELETED		
-255B	113T1215-11		DELETED		
-255C	113T1215-17		DELETED		
-255D	113T1215-23		DELETED		
-257	113T1215-6		DELETED		
-257A	113T1215-12		DELETED		
-257B	113T1215-18		DELETED		
-257C	113T1215-24		DELETED		
280	BACB30NM4K14		DELETED		
285	BACW10BP4AC		DELETED		
290	BACW10BP4AP		DELETED		
295	H10-4BAC		DELETED		
300	113T1268-1		DELETED		
305	SB1137		DELETED		
310	113T1255-1		DELETED		
-310A	113T1255-3		DELETED		
315	BACB30NM4K5		DELETED		

57-53-31

 ILLUSTRATED PARTS LIST
 01.1 Page 1084G
 Nov 01/03

FIG. & ITEM	PART NO.	AIRLINE PART NUMBER	NOMENCLATURE 1234567	EFF CODE	QTY PER ASSY
02-					
320	AN960PD416		DELETED		
325	H10-4BAC		DELETED		
330	BACB28AP08P056		DELETED		
335	113T1255-2		DELETED		
-335A	113T1255-4		DELETED		
337	113T1292-1		DELETED		
338	60B00178-23		DELETED		
338A	B8922CK		DELETED		
340	H10-8BAC		DELETED		
345	MS27111-5		DELETED		
350	60B00178-651		DELETED		
350A	CF2582		DELETED		
351	MS15001-1		DELETED		
355	BACB30NM7K21		DELETED		
360	BACW10BP7AC		DELETED		
365	BACW10BP7AP		DELETED		
370	BRH10A7		DELETED		
375	113T1269-1		DELETED		
375A	113T1269-3		DELETED		
376	113T1361-4		DELETED		
-380	113T1269-2		DELETED		
-380A	113T1269-4		DELETED		
385	113T1311-1		DELETED		
387	113T1256-31		DELETED		
-387A	113T1256-43		DELETED		
390	113T1254-31		DELETED		
395	113T1312-7		DELETED		
400	BACB30NM6K21		DELETED		
405	BACW10BP6AC		DELETED		
410	BACW10BP6AP		DELETED		
415	H10-6BAC		DELETED		
420	113T1343-1		DELETED		
-425	113T1343-2		DELETED		
426	113T1783-2		DELETED		
430	113T1343-5		DELETED		
-435	113T1343-6		DELETED		
435J	113T1783-3		DELETED		
436	MS15001-1		DELETED		
437	113T1343-3		DELETED		
-438	113T1343-4		DELETED		
439	113T1783-8		DELETED		
440	113T1343-8		DELETED		
-445	113T1343-7		DELETED		
445J	113T1783-4		DELETED		
446	MS15001-1		DELETED		

57-53-31

 ILLUSTRATED PARTS LIST
 01.1 Page 1084H
 Nov 01/03


BOEING
 COMPONENT
 MAINTENANCE MANUAL

FIG. & ITEM	PART NO.	AIRLINE PART NUMBER	NOMENCLATURE 1234567	EFF CODE	QTY PER ASSY
02-					
447	113T1343-9		DELETED		
-448	113T1343-10		DELETED		
449	113T1783-7		DELETED		
450	HL10VAZ10-22		DELETED		
451	BACC30H10		DELETED		
451A	HL79-10		DELETED		
455	113T1239-1		DELETED		
-460	113T1239-2		DELETED		
465	113T1210-1		DELETED		
-470	113T1210-2		DELETED		
-485A	113T1215-7		DELETED		
-490A	113T1215-8		DELETED		

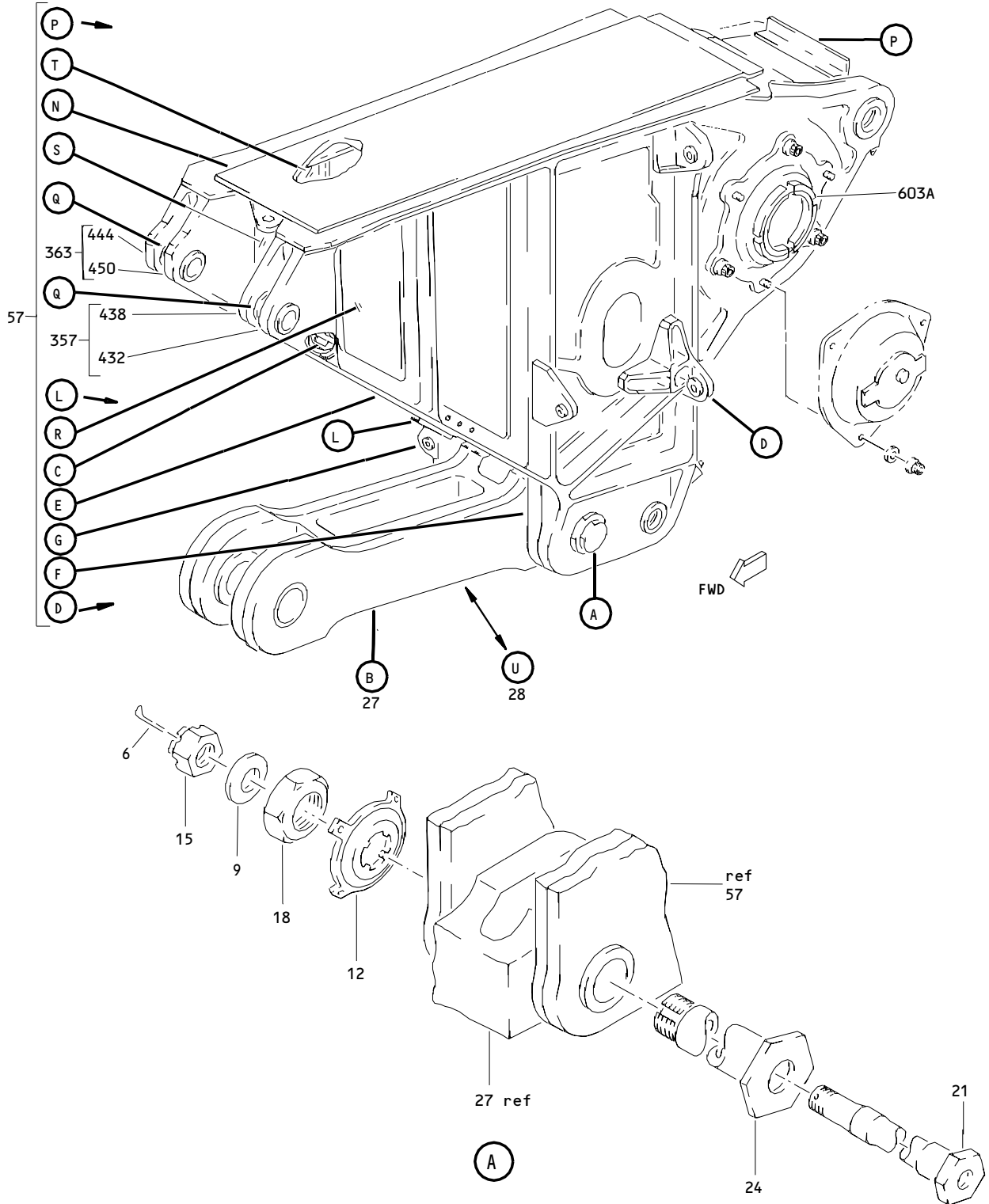
- Item Not Illustrated

57-53-31

ILLUSTRATED PARTS LIST

01.1 Page 1084I

Nov 01/03

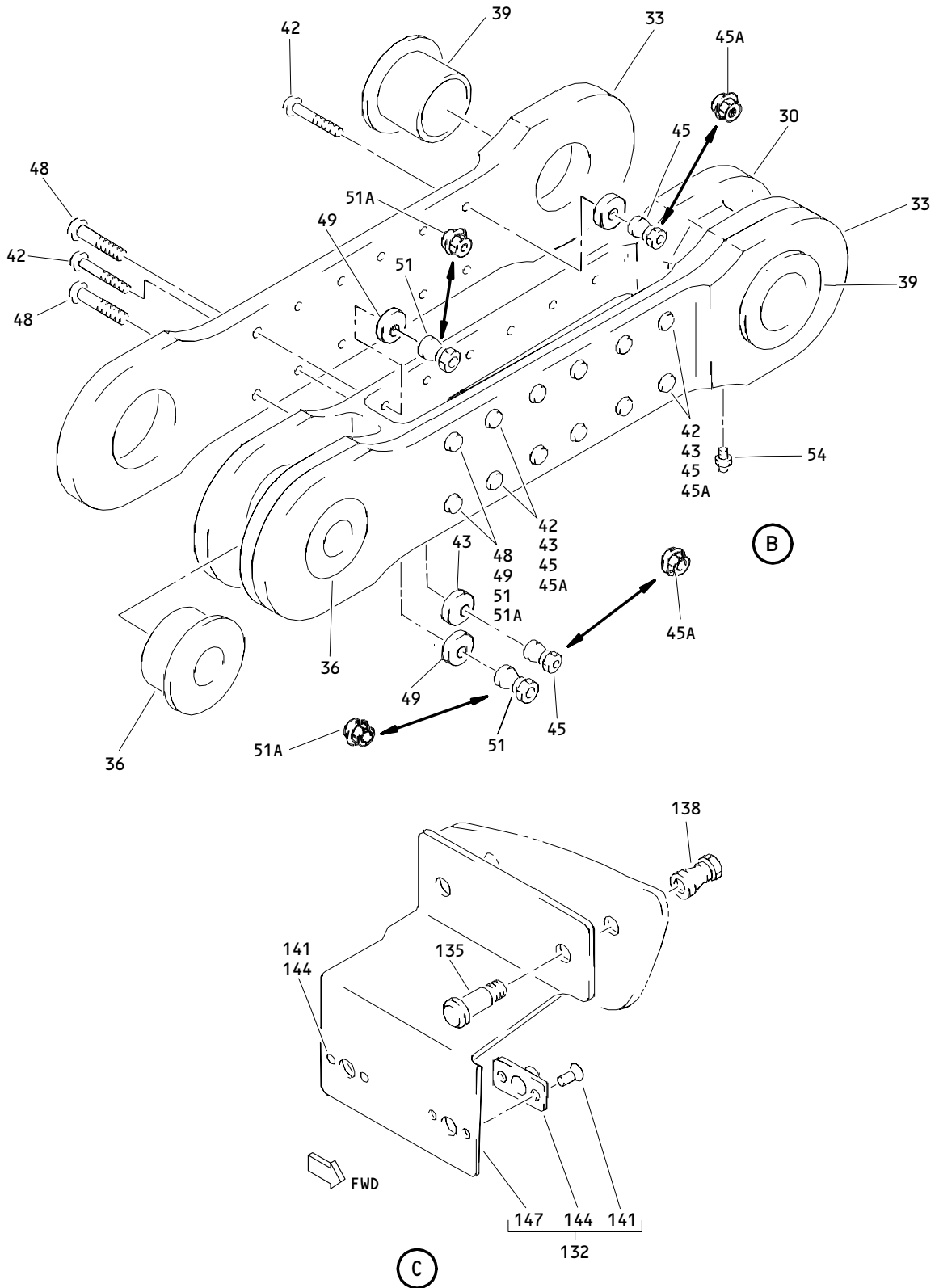


Inboard Trailing Edge Flap Support Assembly
 Figure 3 (Sheet 1)

57-53-31

ILLUSTRATED PARTS LIST
 01.1 Page 1084J
 Nov 01/03

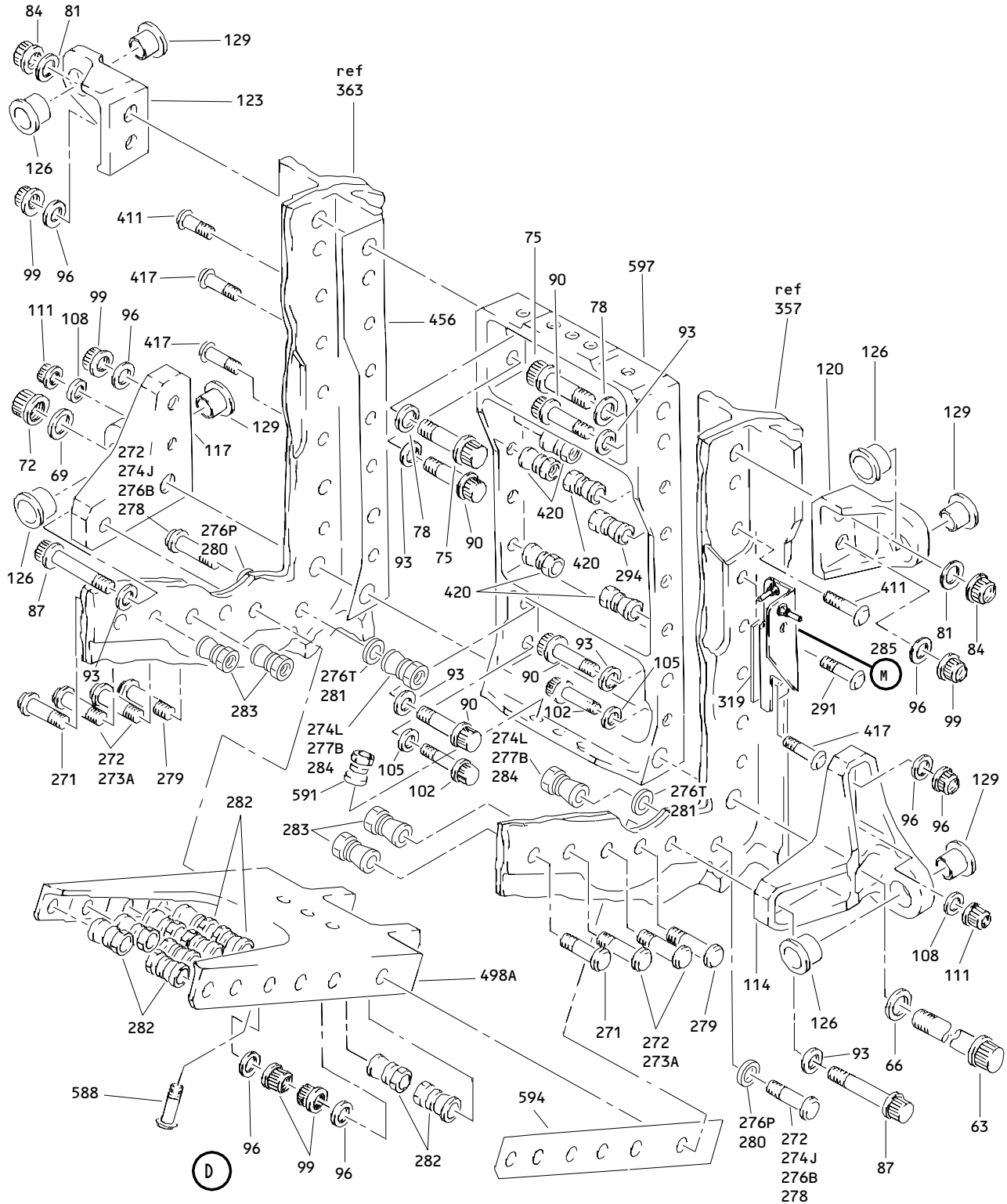
BOEING
COMPONENT
MAINTENANCE MANUAL



Inboard Trailing Edge Flap Support Assembly
Figure 3 (Sheet 2)

57-53-31

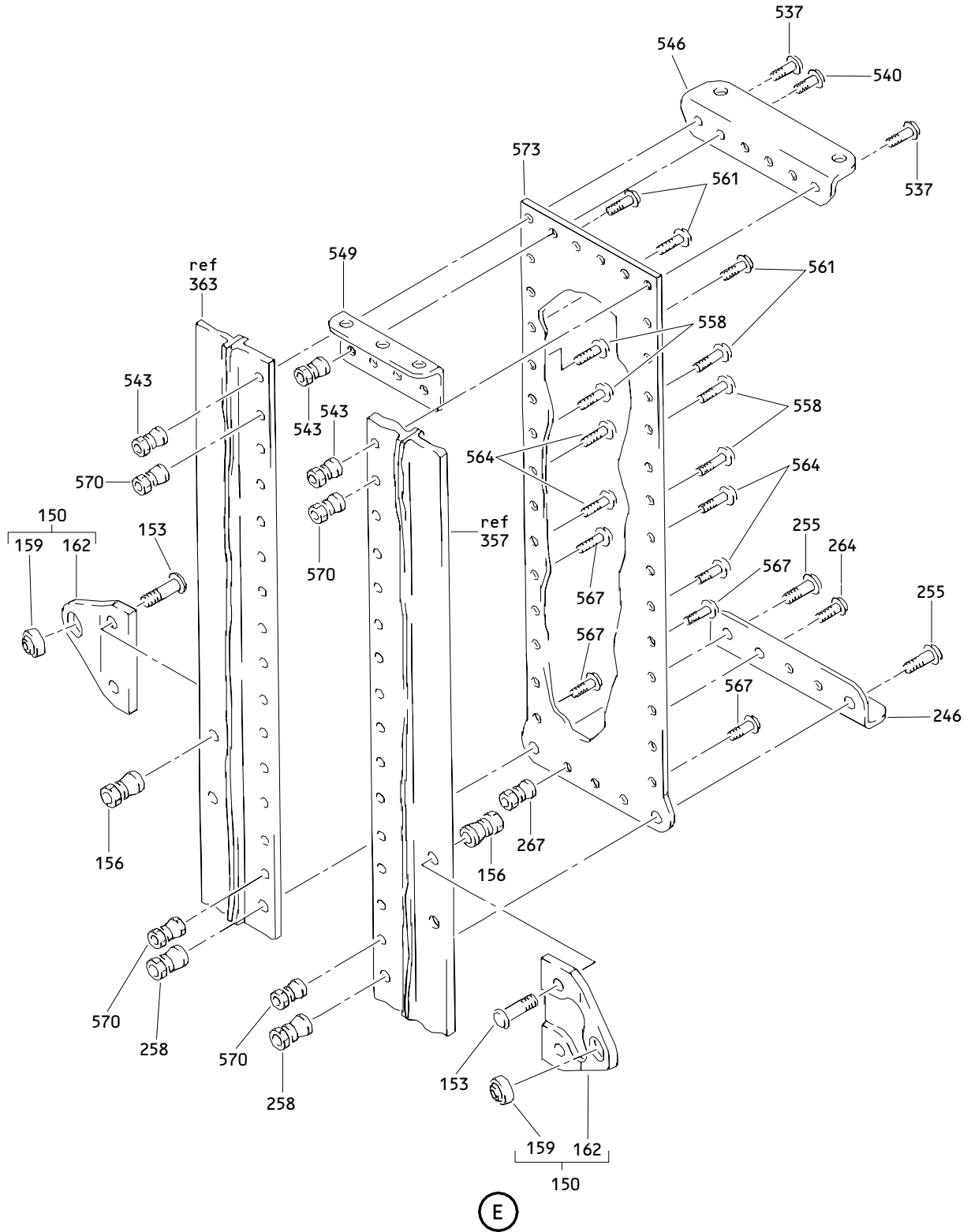
ILLUSTRATED PARTS LIST
 01.1 Page 1084K
 Nov 01/03



Inboard Trailing Edge Flap Support Assembly
 Figure 3 (Sheet 3)

57-53-31

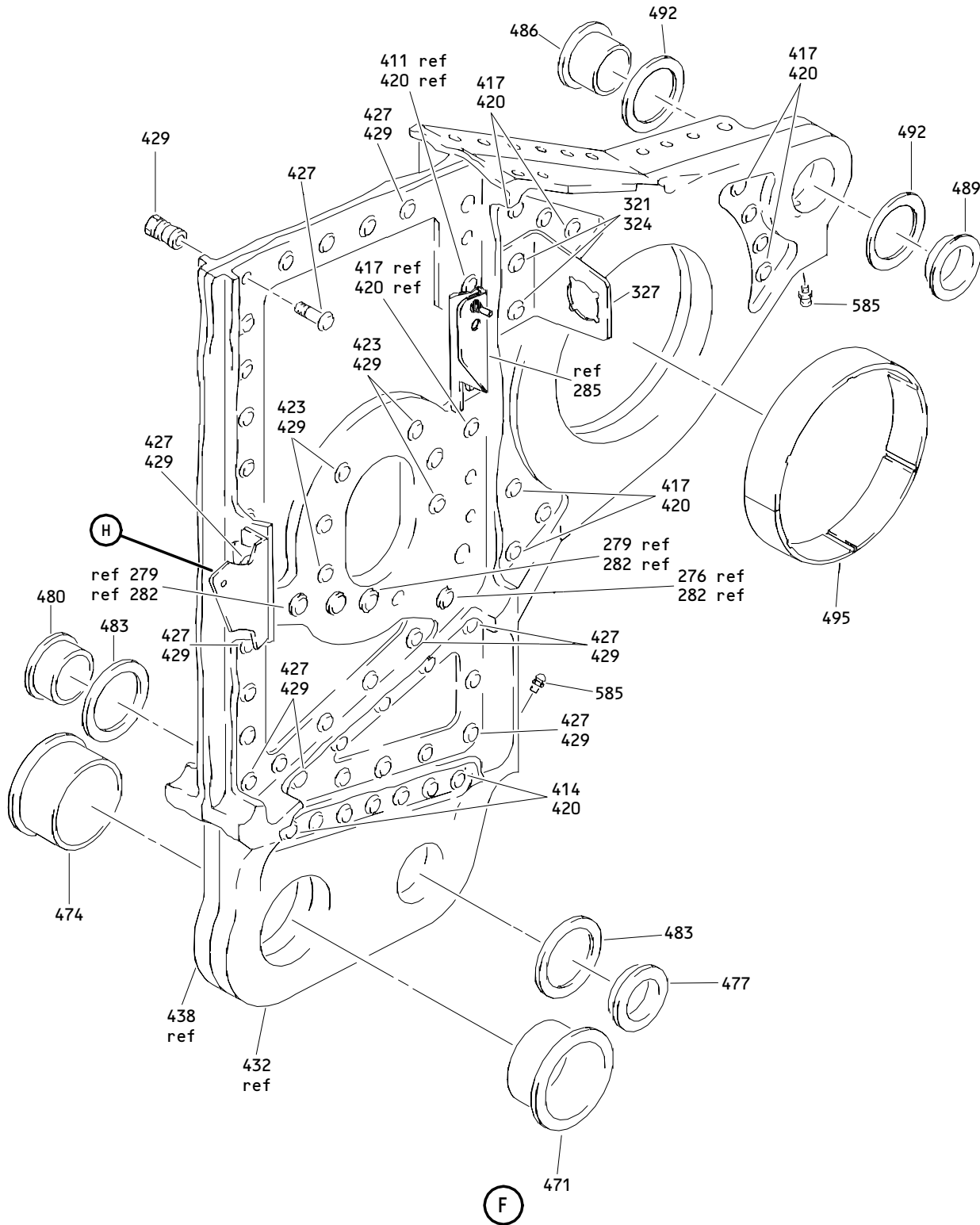
ILLUSTRATED PARTS LIST
 01.1 Page 1084L
 Nov 01/03



Inboard Trailing Edge Flap Support Assembly
Figure 3 (Sheet 4)

57-53-31

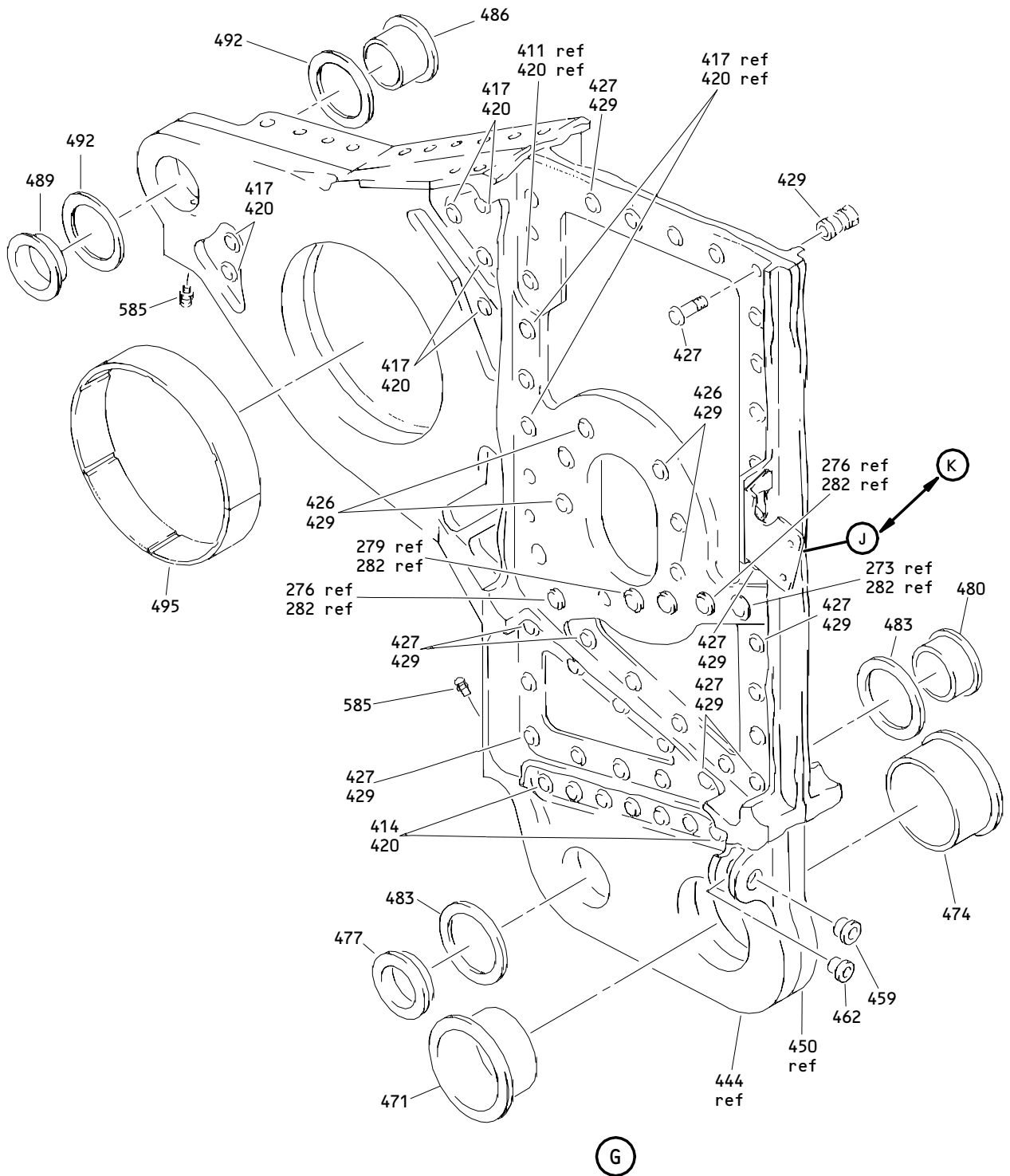
ILLUSTRATED PARTS LIST
01.1 Page 1084M
Nov 01/03



Inboard Trailing Edge Flap Support Assembly
Figure 3 (Sheet 5)

57-53-31

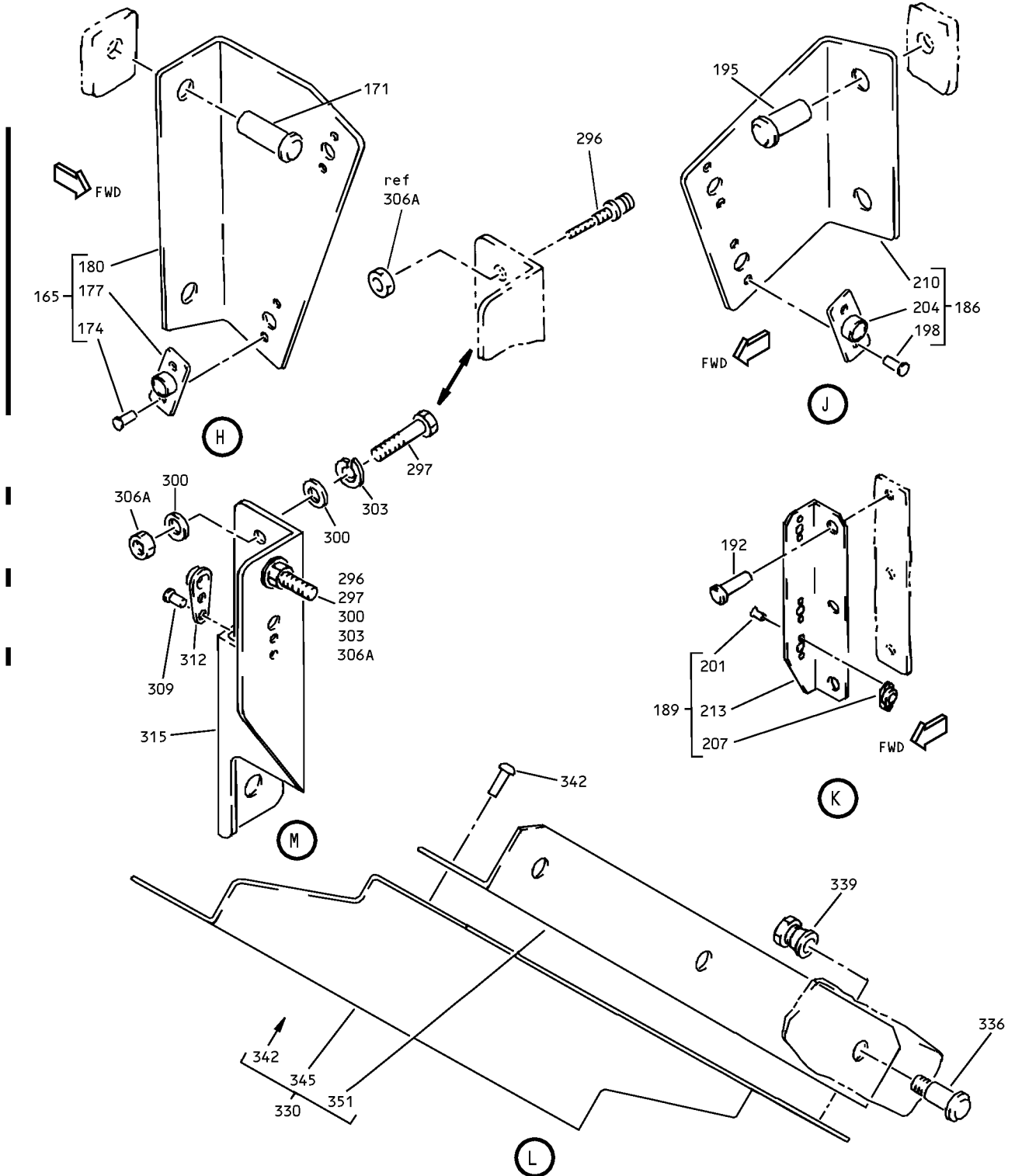
ILLUSTRATED PARTS LIST
01.1 Page 1084N
Nov 01/03



Inboard Trailing Edge Flap Support Assembly
Figure 3 (Sheet 6)

57-53-31

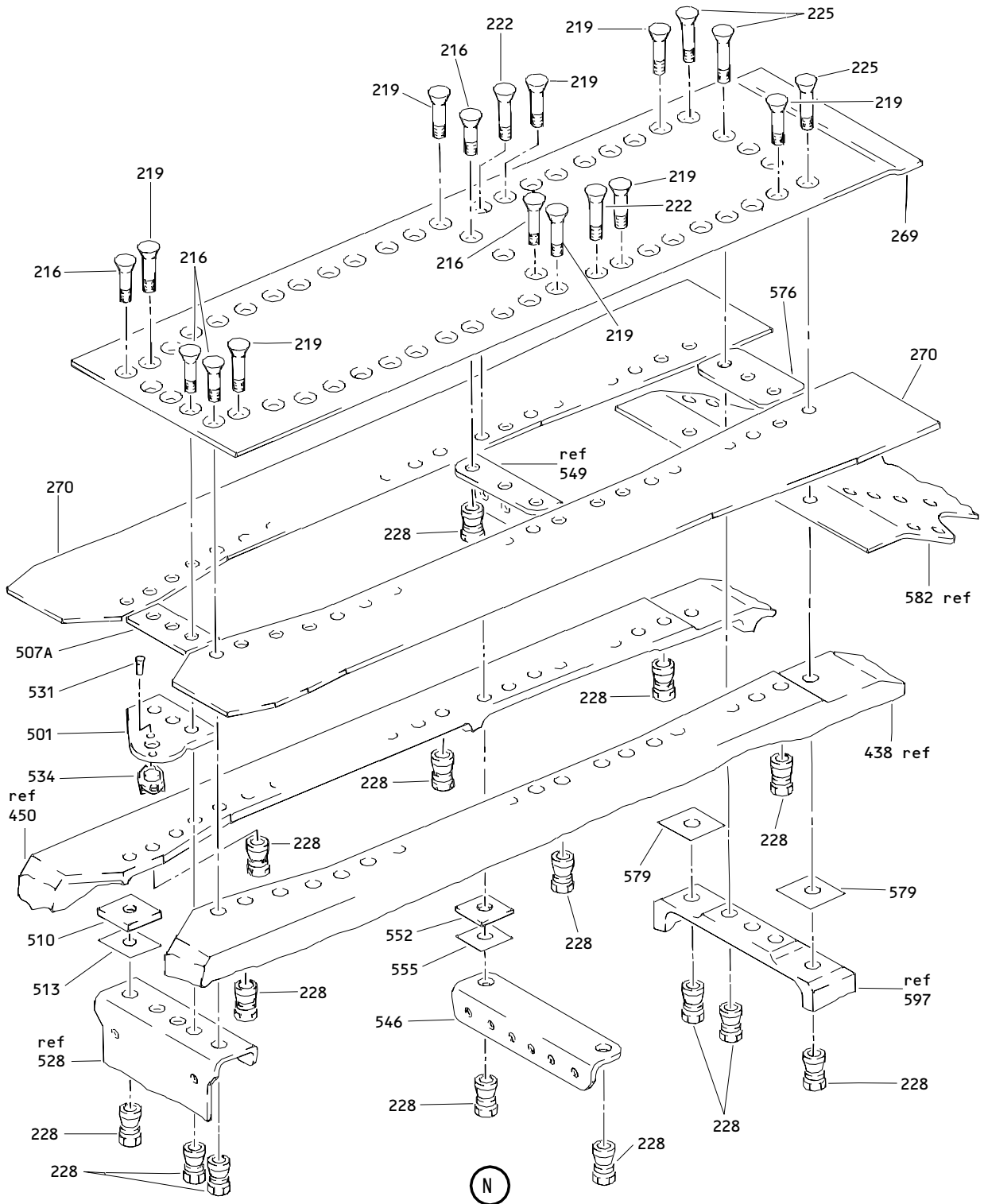
ILLUSTRATED PARTS LIST
01.1 Page 10840
Nov 01/03



Inboard Trailing Edge Flap Support Assembly
 Figure 3 (Sheet 7)

57-53-31

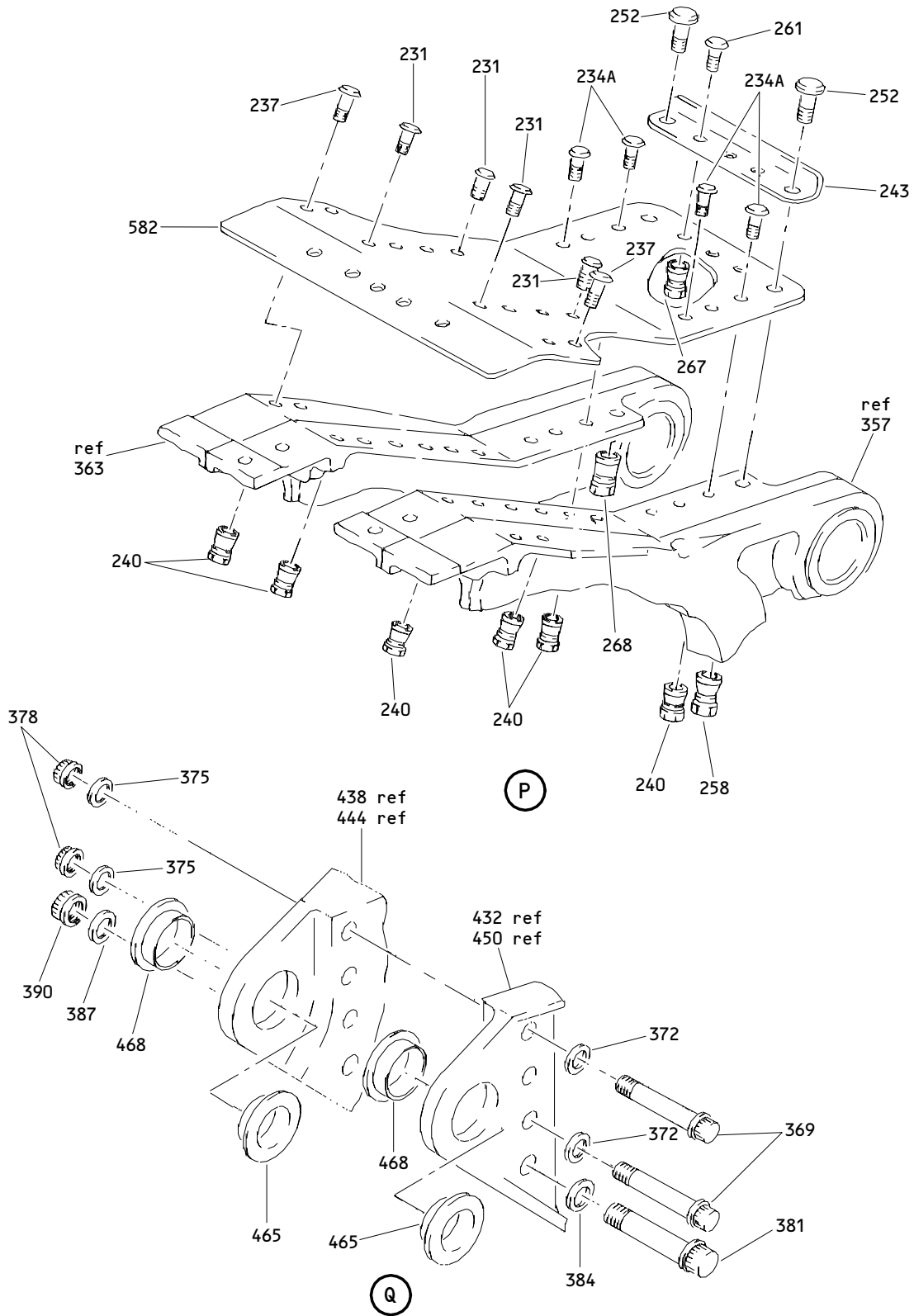
ILLUSTRATED PARTS LIST
 01.1 Page 1084P
 Nov 01/03



Inboard Trailing Edge Flap Support Assembly
 Figure 3 (Sheet 8)

57-53-31

ILLUSTRATED PARTS LIST
 01.1 Page 1084Q
 Nov 01/03

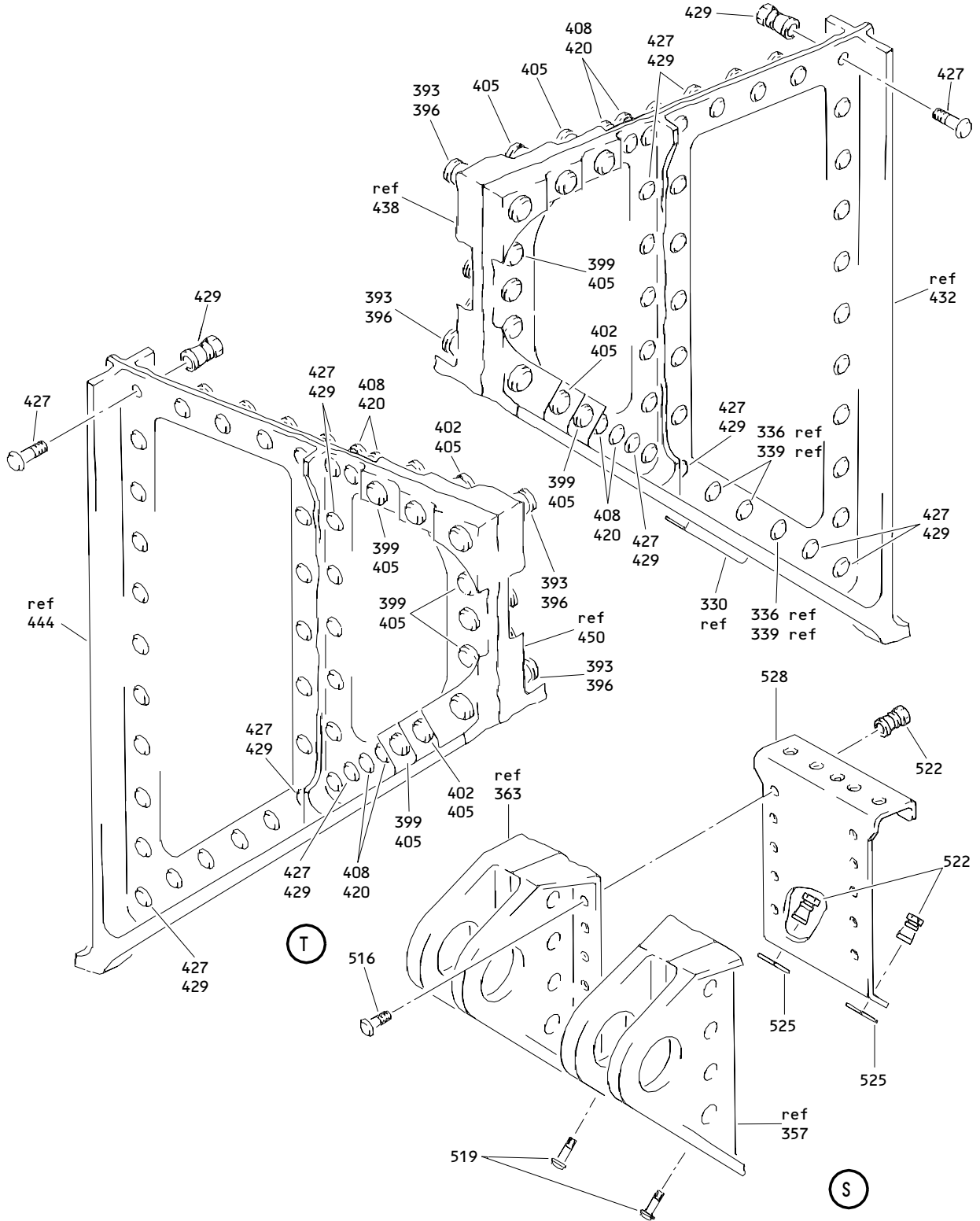


Inboard Trailing Edge Flap Support Assembly
Figure 3 (Sheet 9)

57-53-31

ILLUSTRATED PARTS LIST
 01.1 Page 1084R
 Nov 01/03

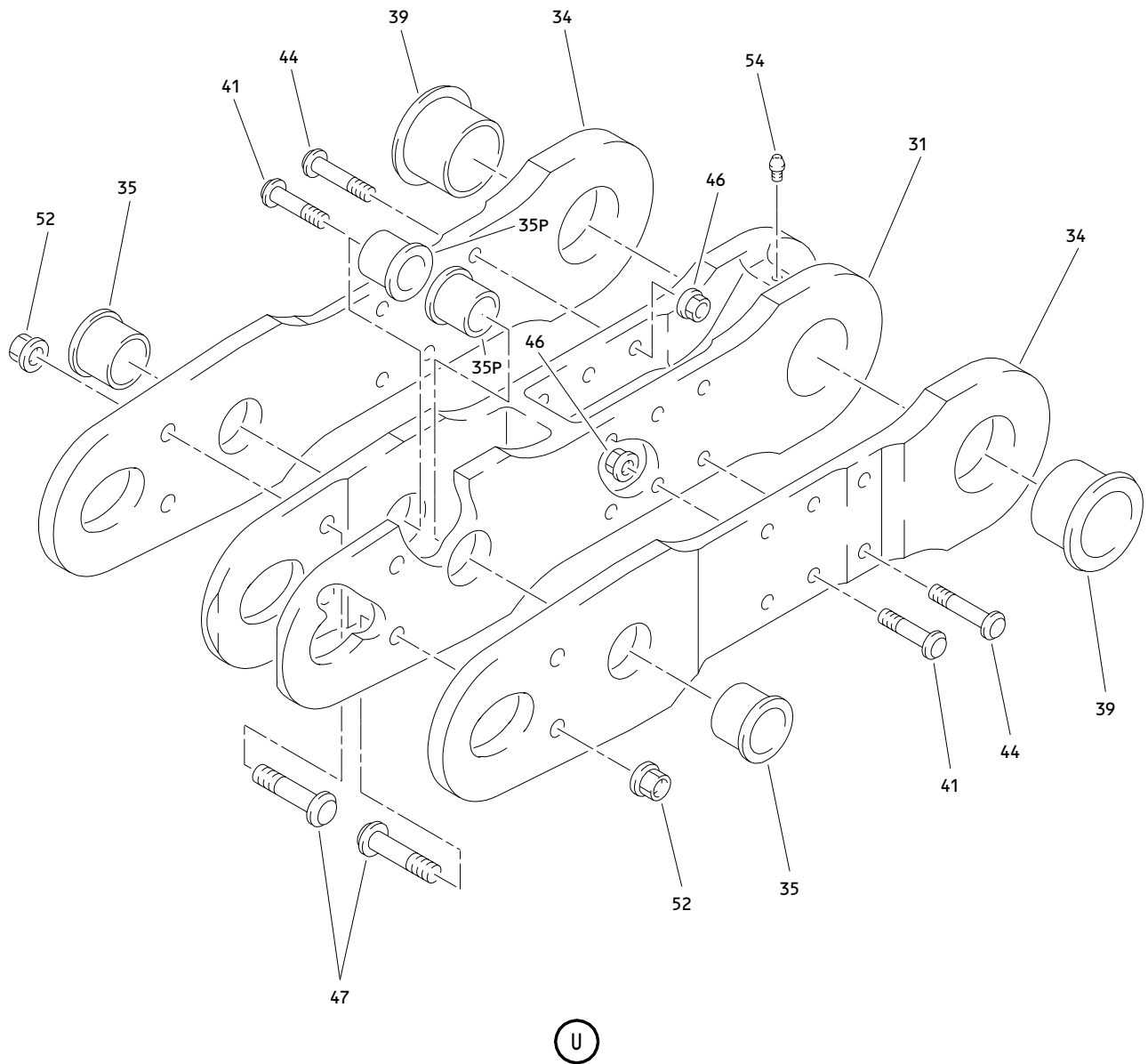
BOEING
 COMPONENT
 MAINTENANCE MANUAL



Inboard Trailing Edge Flap Support Assembly
 Figure 3 (Sheet 10)

57-53-31

ILLUSTRATED PARTS LIST
 01.1 Page 1084S
 Nov 01/03



Inboard Trailing Edge Flap Support Assembly
Figure 3 (Sheet 11)

57-53-31

ILLUSTRATED PARTS LIST
01.1 Page 1084T
Nov 01/03


BOEING
 COMPONENT
 MAINTENANCE MANUAL

FIG. & ITEM	PART NO.	AIRLINE PART NUMBER	NOMENCLATURE 1234567	EFF CODE	QTY PER ASSY
03-			DELETED		
-1	113T1200-21		DELETED		
-1A	113T1200-23		SUPPORT ASSY-INBD TE FLAP (LH)	H	RF
-1B	113T1200-29		SUPPORT ASSY-INBD TE FLAP (LH)	G	RF
-1C	113T1200-33		SUPPORT ASSY-INBD TE FLAP (LH)	J	RF
-1D	113T1200-37		DELETED		
-1E	113T1200-43		SUPPORT ASSY-INBD TE FLAP (VARIABLE) (LH)	U	RF
-1F	113T1200-51		SUPPORT ASSY-INBD TE FLAP (LH)	W	RF
-1G	113T1200-53		SUPPORT ASSY-INBD TE FLAP (LH)	X	RF
-1H	113T1200-57		SUPPORT ASSY-INBD TE FLAP (LH)	N	RF
-1J	113T1200-59		SUPPORT ASSY-INBD TE FLAP (LH)	Q	RF
-1K	113T1200-65		SUPPORT ASSY-INBD TE FLAP (LH)	AC	RF
-1L	113T1200-67		SUPPORT ASSY-INBD TE FLAP (VARIABLE) (LH)	AE	RF
-1M	113T1200-71		SUPPORT ASSY-INBD TE FLAP (LH)	AG	RF
-1N	113T1200-73		SUPPORT ASSY-INBD TE FLAP (LH)	AJ	RF
-1P	113T1200-75		SUPPORT ASSY-INBD TE FLAP (VARIABLE) (LH)	AL	RF
-1Q	113T1200-61		SUPPORT ASSY-INBD TE FLAP (VARIABLE) (LH)	AN	RF
-1R	113T1200-85		SUPPORT ASSY-INBD TE FLAP (LH)	AQ	RF
-1S	113T1200-117		SUPPORT ASSY-INBD TE FLAP (LH)	AY	RF
-1T	113T1200-139		SUPPORT ASSY-INBD TE FLAP (LH)	BE	RF
-1U	113T1200-143		SUPPORT ASSY-INBD TE FLAP (LH)	BG	RF
-1V	113T1200-155		SUPPORT ASSY-INBD TE FLAP (LH)	BN	RF
-1W	113T1200-159		SUPPORT ASSY-INBD TE FLAP (LH)	BQ	RF
-3	113T1200-22		DELETED		
-3A	113T1200-24		SUPPORT ASSY-INBD TE FLAP (RH)	K	RF

57-53-31

 ILLUSTRATED PARTS LIST
 01.1 Page 1084U
 Nov 01/03

FIG. & ITEM	PART NO.	AIRLINE PART NUMBER	NOMENCLATURE 1234567	EFF CODE	QTY PER ASSY
03- -3B	113T1200-30		SUPPORT ASSY-INBD TE FLAP (RH)	L	RF
-3C	113T1200-34		SUPPORT ASSY-INBD TE FLAP (RH)	M	RF
-3D	113T1200-38		DELETED		
-3E	113T1200-44		SUPPORT ASSY-INBD TE FLAP (VARIABLE) (RH)	V	RF
-3F	113T1200-52		SUPPORT ASSY-INBD TE FLAP (RH)	Y	RF
-3G	113T1200-54		SUPPORT ASSY-INBD TE FLAP (RH)	Z	RF
-3H	113T1200-58		SUPPORT ASSY-INBD TE FLAP (RH)	P	RF
-3J	113T1200-60		SUPPORT ASSY-INBD TE FLAP (RH)	R	RF
-3K	113T1200-66		SUPPORT ASSY-INBD TE FLAP (RH)	AD	RF
-3L	113T1200-68		SUPPORT ASSY-INBD TE FLAP (VARIABLE) (RH)	AF	RF
-3M	113T1200-72		SUPPORT ASSY-INBD TE FLAP (RH)	AH	RF
-3N	113T1200-74		SUPPORT ASSY-INBD TE FLAP (RH)	AK	RF
-3P	113T1200-76		SUPPORT ASSY-INBD TE FLAP (VARIABLE) (RH)	AM	RF
-3Q	113T1200-62		SUPPORT ASSY-INBD TE FLAP (VARIABLE) (RH)	AP	RF
-3R	113T1200-86		SUPPORT ASSY-INBD TE FLAP (RH)	AR	RF
-3S	113T1200-118		SUPPORT ASSY-INBD TE FLAP (RH)	AZ	RF
-3T	113T1200-140		SUPPORT ASSY-INBD TE FLAP (RH)	BF	RF
-3U	113T1200-144		SUPPORT ASSY-INBD TE FLAP (RH)	BH	RF
-3V	113T1200-156		SUPPORT ASSY-INBD TE FLAP (RH)	BP	RF
-3W	113T1200-160		SUPPORT ASSY-INBD TE FLAP (RH)	BR	RF

57-53-31

 ILLUSTRATED PARTS LIST
 01.1 Page 1084V
 Nov 01/03

BOEING
 COMPONENT
 MAINTENANCE MANUAL

FIG. & ITEM	PART NO.	AIRLINE PART NUMBER	NOMENCLATURE	EFF CODE	QTY PER ASSY
03-6	MS24665-379		.PIN-COTTER	G-R, U-Z,A C-AM, AQ,AR ,AY,A Z BE-BH	1
-6A 9	BACP18BC04A20P 113T1254-14		.PIN-COTTER .WASHER-SPECIAL	B-BR G-R, U-Z,A C-AM, AQ,AR ,AY,A Z BE-BH ,BN-B	1 1
12	113T1254-7		.WASHER-SPECIAL	R G-R, U-Z,A C-AM, AQ,AR ,AY,A Z BE-BH ,BN-B	1
15	BACN10JD120AU		.NUT	R G-R, U-Z,A C-AM, AQ,AR ,AY,A Z BE-BH ,BN-B	1

57-53-31

ILLUSTRATED PARTS LIST
 01.1 Page 1084W
 Nov 01/03

FIG. & ITEM	PART NO.	AIRLINE PART NUMBER	NOMENCLATURE 1234567	EFF CODE	QTY PER ASSY
03-18	113T1262-5		.NUT-SPECIAL	G-R, U-Z,A C-AM, AQ,AR ,AY,A Z BE-BH ,BN-B R	1
21	113T1264-39		.PIN-INNER (OPT ITEM 21A)	G-R, U-Z,A C-AM, AQ,AR ,AY,A Z BE-BH	1
-21A	113T1264-4		.PIN-INNER (OPT ITEM 21)	G-R, U-Z,A C-AM, AQ,AR ,AY,A Z BE-BH	1
-21B	113T1264-68		.PIN-INNER	BN-BR	1
24	113T1263-10		.PIN-OUTER	G-R, U-Z,A C-AM, AQ,AR ,AY,A Z BE-BH ,BN-B R	1

57-53-31

 ILLUSTRATED PARTS LIST
 01.1 Page 1084X
 Nov 01/03


BOEING
 COMPONENT
 MAINTENANCE MANUAL

FIG. & ITEM	PART NO.	AIRLINE PART NUMBER	NOMENCLATURE 1234567	EFF CODE	QTY PER ASSY
03-27	113T1244-9		.LINK ASSY	H-K,M	1
-27A	113T1497-1		.LINK ASSY	G,L, N-R, U-Z,A G,AH, AN,AP	1
-27B	113T1497-1		.LINK ASSY- (OPT ITEM 27C)	AC-AF ,AJ-A M,AQ, AR,AY ,AZ BE-BH	1
-27C	113T1497-5		.LINK ASSY- (OPT ITEM 27B)	AC-AF ,AJ-A M,AQ, AR,AY ,AZ BE-BH	1
28	113T1497-11		.LINK ASSY	BN-BQ	1
30	113T1244-7		..LINK-CTR (OPT ITEM 30A, 30D)	H-K,M	1
-30A	113T1244-8		..LINK-CTR (OPT ITEMS 30, 30D)	H-K,M	1
-30B	113T1497-2		..LINK-CTR (USED ON ITEMS 27A, 27B)	G,L, N-R, U-Z,A C-AR, AY,AZ BE-BH	1

57-53-31

ILLUSTRATED PARTS LIST

01.1 Page 1084Y

Nov 01/03

FIG. & ITEM	PART NO.	AIRLINE PART NUMBER	NOMENCLATURE 1234567	EFF CODE	QTY PER ASSY
03-30C	113T1497-4		..LINK-CTR (USED ON ITEM 27C)	AC-AF ,AJ-A M,AQ, AR,AY ,AZ BE-BH	1
-30D	113T1244-11		..LINK-CTR (OPT ITEMS 30, 30A)	H-K,M	1
31	113T1497-15		..LINK-CTR	BN-BP	1
33	113T1244-3		..LINK-OUTER (OPT ITEM 33A)	G-R, U-Z,A C-AR, AY,AZ ,BE-B H	2
-33A	113T1244-10		..LINK-OUTER (OPT ITEM 33)	G-R, U-Z,A C-AR, AY,AZ ,BE-B H	2
34	113T1497-13		..LINK-OUTER	BN-BQ	2
35	113T1347-143		..BUSHING	BN-BQ	2
35P	113T1347-144		..BUSHING	BN-BQ	2
36	113T1244-4		..BUSHING	G-R, U-Z,A C-AR, AY,AZ ,BE-B H	2
39	113T1347-57		..BUSHING	G-R, U-Z,A C-AR, AY,AZ ,BE-B H	2

57-53-31

 ILLUSTRATED PARTS LIST
 01.1 Page 1084Z
 Nov 01/03

BOEING
 COMPONENT
 MAINTENANCE MANUAL

FIG. & ITEM	PART NO.	AIRLINE PART NUMBER	NOMENCLATURE	EFF CODE	QTY PER ASSY
03-41	HL1012AZ10-16		1234567 ..BOLT- (V0PTK6) (SPEC BACB30NX10K16) (OPT HL12VAZ10-16 (V73197)) (OPT HL12VAZ10-16 (V92215)) (OPT HL12VAZ10-16 (V97928)) (OPT L802-10K16 (V06725)) (OPT HL12VAZ10-16 (V56878)) (OPT HL1012AZ10-16 (V06725)) (OPT HL1012AZ10-16 (V06950)) (OPT HL1012AZ10-16 (V17446)) (OPT HL1012AZ10-16 (V56878)) (OPT HL1012AZ10-16 (V60516)) (OPT HL1012AZ10-16 (V73197)) (OPT HL1012AZ10-16 (V97928))	BN-BQ	8

57-53-31

ILLUSTRATED PARTS LIST
 01.1 Page 1085
 Nov 01/03

FIG. & ITEM	PART NO.	AIRLINE PART NUMBER	NOMENCLATURE 1234567	EFF CODE	QTY PER ASSY
03-42	HL1012AZ10-18		..BOLT- (VOPTK6) (SPEC BACB30NX10K18) (OPT HL12VAZ10-18 (V73197)) (OPT HL12VAZ10-18 (V92215)) (OPT HL12VAZ10-18 (V97928)) (OPT L802-10K18 (V06725)) (OPT HL12VAZ10-18 (V56878)) (OPT HL1012AZ10-18 (V06725)) (OPT HL1012AZ10-18 (V06950)) (OPT HL1012AZ10-18 (V17446)) (OPT HL1012AZ10-18 (V56878)) (OPT HL1012AZ10-18 (V60516)) (OPT HL1012AZ10-18 (V73197)) (OPT HL1012AZ10-18 (V97928))	H-K,M	20

57-53-31

 ILLUSTRATED PARTS LIST
 01.1 Page 1086
 Nov 01/03


BOEING
 COMPONENT
 MAINTENANCE MANUAL

FIG. & ITEM	PART NO.	AIRLINE PART NUMBER	NOMENCLATURE 1234567	EFF CODE	QTY PER ASSY
03- -42A	HL1012AZ10-20		..BOLT- (VOPTK6) (SPEC BACB30NX10K20) (OPT HL12VAZ10-20 (V73197)) (OPT HL12VAZ10-20 (V92215)) (OPT HL12VAZ10-20 (V97928)) (OPT L802-10K20 (V06725)) (OPT HL12VAZ10-20 (V56878)) (OPT HL1012AZ10-20 (V06725)) (OPT HL1012AZ10-20 (V06950)) (OPT HL1012AZ10-20 (V17446)) (OPT HL1012AZ10-20 (V56878)) (OPT HL1012AZ10-20 (V60516)) (OPT HL1012AZ10-20 (V73197)) (OPT HL1012AZ10-20 (V97928))	G,L, N-R, U-Z,A C-AR, AY,AZ BE-BH	20
43	AS46-5		..WASHER- (V10630) (SPEC BACW10AU5) (OPT K19701P5 (V15653)) (OPT 53488W524 (V56878)) (OPT 6073-05 (V72962)) (OPT TLN1020L5W (V08524))	G,L, N-R, U-Z,A C-AR, AY,AZ BE-BH	20

57-53-31

 ILLUSTRATED PARTS LIST
 01.1 Page 1086A
 Nov 01/03

FIG. & ITEM	PART NO.	AIRLINE PART NUMBER	NOMENCLATURE 1234567	EFF CODE	QTY PER ASSY
03-44	HL1012AZ10-20		..BOLT- (VOPTK6) (SPEC BACB30NX10K20) (OPT HL12VAZ10-20 (V73197)) (OPT HL12VAZ10-20 (V92215)) (OPT HL12VAZ10-20 (V97928)) (OPT L802-10K20 (V06725)) (OPT HL12VAZ10-20 (V56878)) (OPT HL1012AZ10-20 (V06725)) (OPT HL1012AZ10-20 (V06950)) (OPT HL1012AZ10-20 (V17446)) (OPT HL1012AZ10-20 (V56878)) (OPT HL1012AZ10-20 (V60516)) (OPT HL1012AZ10-20 (V73197)) (OPT HL1012AZ10-20 (V97928))	BN-BQ	4
45	HL1187-10		..COLLAR- (V5M902) (SPEC BACC30X10) (OPT HL87-10 (V73197)) (OPT HL87-10 (V92215)) (OPT HL1187-10 (V56878)) (OPT HL1187-10 (V92215)) (OPT HL87-10 (V56878)) (OPT HL1187-10 (V73197))	H-K,M	20

57-53-31

 ILLUSTRATED PARTS LIST
 01.1 Page 1086B
 Nov 01/03


BOEING
 COMPONENT
 MAINTENANCE MANUAL

FIG. & ITEM	PART NO.	AIRLINE PART NUMBER	NOMENCLATURE 1234567	EFF CODE	QTY PER ASSY
03-45A	H19700P5		..NUT- (V15653) (SPEC BACN10MT5) (OPT TLN1020-5N (V08524)) (OPT 52LH6073-054 (V72962)) (OPT 53488-524 (V56878))	G,L, N-R, U-Z,A C-AR, AY,AZ BE-BH	20
46	BACN10YT5CD		..NUT	BN-BQ	12
47	HL1012AZ12-19		..BOLT- (VOPTK6) (SPEC BACB30NX12K19) (OPT HL12VAZ12-19 (V73197)) (OPT HL12VAZ12-19 (V92215)) (OPT HL12VAZ12-19 (V97928)) (OPT L802-12K19 (V06725)) (OPT HL12VAZ12-19 (V56878)) (OPT HL1012AZ12-19 (V06725)) (OPT HL1012AZ12-19 (V06950)) (OPT HL1012AZ12-19 (V17446)) (OPT HL1012AZ12-19 (V56878)) (OPT HL1012AZ12-19 (V60516)) (OPT HL1012AZ12-19 (V73197)) (OPT HL1012AZ12-19 (V97928))	BN-BQ BN-BQ	4

57-53-31

 ILLUSTRATED PARTS LIST
 01.1 Page 1086C
 Nov 01/03

FIG. & ITEM	PART NO.	AIRLINE PART NUMBER	NOMENCLATURE 1234567	EFF CODE	QTY PER ASSY
03-48	HL1012AZ12-18		..BOLT- (VOPTK6) (SPEC BACB30NX12K18) (OPT HL12VAZ12-18 (V73197)) (OPT HL12VAZ12-18 (V92215)) (OPT HL12VAZ12-18 (V97928)) (OPT L802-12K18 (V06725)) (OPT HL12VAZ12-18 (V56878)) (OPT HL1012AZ12-18 (V06725)) (OPT HL1012AZ12-18 (V06950)) (OPT HL1012AZ12-18 (V17446)) (OPT HL1012AZ12-18 (V56878)) (OPT HL1012AZ12-18 (V60516)) (OPT HL1012AZ12-18 (V73197)) (OPT HL1012AZ12-18 (V97928))	H-K,M	4

57-53-31

 ILLUSTRATED PARTS LIST
 01.1 Page 1086D
 Nov 01/03


BOEING
 COMPONENT
 MAINTENANCE MANUAL

FIG. & ITEM	PART NO.	AIRLINE PART NUMBER	NOMENCLATURE 1234567	EFF CODE	QTY PER ASSY
03-48A	HL1012AZ12-20		..BOLT- (VOPTK6) (SPEC BACB30NX12K20) (OPT HL12VAZ12-20 (V73197)) (OPT HL12VAZ12-20 (V92215)) (OPT HL12VAZ12-20 (V97928)) (OPT L802-12K20 (V06725)) (OPT HL12VAZ12-20 (V56878)) (OPT HL1012AZ12-20 (V06725)) (OPT HL1012AZ12-20 (V06950)) (OPT HL1012AZ12-20 (V17446)) (OPT HL1012AZ12-20 (V56878)) (OPT HL1012AZ12-20 (V60516)) (OPT HL1012AZ12-20 (V73197)) (OPT HL1012AZ12-20 (V97928))	G,L, N-R, U-Z,A C-AR, AY,AZ BE-BH	4
49	AS46-6		..WASHER- (V10630) (SPEC BACW10AU6) (OPT K19701P6 (V15653)) (OPT 53488W624 (V56878)) (OPT 6073-06 (V72962)) (OPT TLN1020L6W (V08524))	G,L, N-R, U-Z,A C-AR, AY,AZ BE-BH	4

57-53-31

 ILLUSTRATED PARTS LIST
 01.1 Page 1086E
 Nov 01/03

FIG. & ITEM	PART NO.	AIRLINE PART NUMBER	NOMENCLATURE 1234567	EFF CODE	QTY PER ASSY
03-51	HL1187-12		..COLLAR- (V5M902) (SPEC BACC30X12) (OPT HL1187-12 (V73197)) (OPT HL1187-12 (V73197)) (OPT HL1187-12 (V56878)) (OPT HL1187-12 (V92215)) (OPT HL87-12 (V56878)) (OPT HL87-12 (V73197))	H-K,M	4
51A	H19700P6		..NUT- (V15653) (SPEC BACN10MT6) (OPT TLN1020-6N (V08524)) (OPT 52LH6073-064 (V72962)) (OPT 53488-624 (V56878))	G,L, N-R, U-Z,A C-AR, AY,AZ BE-BH	4
52	BACN10YT6CD		..NUT	BN-BQ	4
54	MS15001-1		..FITTING-LUBE (USED ON ITEMS 27, 27C, 28)	H-K,M ,AC-A F,A J-AM, AQ,AR AY,AZ ,BE-B H	1
-54A	MS15001-1		..FITTING-LUBE (OPT ITEM 54B) (USED ON ITEMS 27A, 27B)	G,L, N-R, U-Z,A C-AR, AY,AZ BE-BH	1
-54B	AS15001-1		..FITTING-LUBE (OPT ITEM 54A) (USED ON ITEMS 27A, 27B)	G,L, N-R, U-Z,A C-AR, AY,AZ BE-BH	1

57-53-31

ILLUSTRATED PARTS LIST

01.1 Page 1086F

Nov 01/03


BOEING
 COMPONENT
 MAINTENANCE MANUAL

FIG. & ITEM	PART NO.	AIRLINE PART NUMBER	NOMENCLATURE 1234567	EFF CODE	QTY PER ASSY
03-					
57	113T1240-33		.RIB ASSY-OUTBD SPRT	H	1
-57A	113T1240-49		DELETED		
-57B	113T1240-33		DELETED		
-57C	113T1240-57		.RIB ASSY-OUTBD SPRT	G,J	1
-57D	113T1240-65		DELETED		
-57E	113T1240-71		.RIB ASSY-OUTBD SPRT (VARIABLE)	U	1
-57F	113T1240-75		.RIB ASSY-OUTBD SPRT	W	1
-57G	113T1240-77		.RIB ASSY-OUTBD SPRT	X	1
-57H	113T1240-83		.RIB ASSY-OUTBD SPRT	N	1
-57J	113T1240-85		.RIB ASSY-OUTBD SPRT	Q	1
-57K	113T1240-89		.RIB ASSY-OUTBD SPRT	AC	1
-57L	113T1240-91		.RIB ASSY-OUTBD SPRT (VARIABLE)	AE	1
-57M	113T1240-93		.RIB ASSY-OUTBD SPRT	AG	1
-57N	113T1240-95		.RIB ASSY-OUTBD SPRT	AJ	1
-57P	113T1240-97		.RIB ASSY-OUTBD SPRT (VARIABLE)	AL	1
-57Q	113T1240-87		.RIB ASSY-OUTBD SPRT (VARIABLE)	AN	1
-57R	113T1240-103		.RIB ASSY-OUTBD SPRT	AQ	1
-57S	113T1240-109		.RIB ASSY-OUTBD SPRT	AY	1
-57T	113T1240-113		.RIB ASSY-OUTBD SPRT	BE	1
-57U	113T1240-115		.RIB ASSY-OUTBD SPRT	BG	1
-57V	113T1240-123		.RIB ASSY-OUTBD SPRT	BN	1
-57W	113T1240-125		.RIB ASSY-OUTBD SPRT	BQ	1
-60	113T1240-52		DELETED		
-60A	113T1240-56		DELETED		
-60B	113T1240-52		.RIB ASSY-OUTBD SPRT	K	1
-60C	113T1240-58		DELETED		
-60D	113T1240-66		DELETED		
-60E	113T1240-70		.RIB ASSY-OUTBD SPRT	L,M	1
-60F	113T1240-72		.RIB ASSY-OUTBD SPRT (VARIABLE)	V	1
-60G	113T1240-76		.RIB ASSY-OUTBD SPRT	Y	1
-60H	113T1240-78		.RIB ASSY-OUTBD SPRT	Z	1
-60J	113T1240-84		.RIB ASSY-OUTBD SPRT	P	1
-60K	113T1240-86		.RIB ASSY-OUTBD SPRT	R	1
-60L	113T1240-90		.RIB ASSY-OUTBD SPRT	AD	1
-60M	113T1240-92		.RIB ASSY-OUTBD SPRT (VARIABLE)	AF	1
-60N	113T1240-94		.RIB ASSY-OUTBD SPRT	AH	1
-60P	113T1240-96		.RIB ASSY-OUTBD SPRT	AK	1
-60Q	113T1240-98		.RIB ASSY-OUTBD SPRT (VARIABLE)	AM	1

57-53-31

 ILLUSTRATED PARTS LIST
 01.1 Page 1086G
 Nov 01/03

FIG. & ITEM	PART NO.	AIRLINE PART NUMBER	NOMENCLATURE 1234567	EFF CODE	QTY PER ASSY
03- -60R	113T1240-88		.RIB ASSY-OUTBD SPRT (VARIABLE)	AP	1
-60S	113T1240-104		.RIB ASSY-OUTBD SPRT	AR	1
-60T	113T1240-110		.RIB ASSY-OUTBD SPRT	AZ	1
-60U	113T1240-114		.RIB ASSY-OUTBD SPRT	BF	1
-60V	113T1240-116		.RIB ASSY-OUTBD SPRT	BH	1
-60W	113T1240-124		.RIB ASSY-OUTBD SPRT	BP	1
-60X	113T1240-126		.RIB ASSY-OUTBD SPRT	BR	1
63	BACB30MR9K141		..BOLT	G-R, U-Z,A C-AR, AY,AZ ,BE-B H BN-BR	1
66	BACW10BP9AC		..WASHER	G-R, U-Z,A C-AR, AY,AZ ,BE-B H BN-BR	1
-66A	BACW10BP9CD		..WASHER	BN-BR	1
69	BACW10BP9AP		..WASHER	G-R, U-Z,A C-AR, AY,AZ ,BE-B H BN-BR	1
-69A	BACW10BP9DP		..WASHER	BN-BR	1
72	BACN10GW9AS		..NUT	G-R, U-Z,A C-AR, AY,AZ ,BE-B H BN-BR	1
75	BACB30MR7K18		..BOLT	G-R, U-Z,A C-AR, AY,AZ ,BE-B H BN-BR	2

57-53-31

 ILLUSTRATED PARTS LIST
 01.1 Page 1086H
 Nov 01/03

BOEING
 COMPONENT
 MAINTENANCE MANUAL

FIG. & ITEM	PART NO.	AIRLINE PART NUMBER	NOMENCLATURE 1234567	EFF CODE	QTY PER ASSY
03-78	BACW10BP7AC		..WASHER	G-R, U-Z,A C-AR, AY,AZ ,BE-B H	2
-78A	BACW10BP7CD		..WASHER	BN-BR	2
81	BACW10BP7AP		..WASHER	G-R, U-Z,A C-AR, AY,AZ ,BE-B H	2
-81A	BACW10BP7DP		..WASHER	BN-BR	2
84	BACN10GW7AS		..NUT	G-R, U-Z,A C-AR, AY,AZ ,BE-B H	2
87	BACB30MR5K32		..BOLT	BN-BR G-R, U-Z,A C-AR, AY,AZ ,BE-B H	2
90	BACB30MR5K18		..BOLT	BN-BR G-R, U-Z,A C-AR, AY,AZ ,BE-B H BN-BR	4

57-53-31

ILLUSTRATED PARTS LIST
 01.1 Page 1086I
 Nov 01/03

FIG. & ITEM	PART NO.	AIRLINE PART NUMBER	NOMENCLATURE 1234567	EFF CODE	QTY PER ASSY
03-93	BACW10BP5AC		..WASHER	G-R, U-Z,A C-AR, AY,AZ ,BE-B H	6
-93A	BACW10BP5CD		..WASHER	BN-BR	6
96	BACW10BP5AP		..WASHER	G-R, U-Z,A C-AR, AY,AZ ,BE-B H	6
-96A	BACW10BP5DP		..WASHER	BN-BR	6
99	BACN10GW5AS		..NUT	G-R, U-Z,A C-AR, AY,AZ ,BE-B H	6
102	BACB30MR4K15		..BOLT	BN-BR G-R, U-Z,A C-AR, AY,AZ ,BE-B H	2
105	BACW10BP4AC		..WASHER	BN-BR G-R, U-Z,A C-AR, AY,AZ ,BE-B H	2
-105A	BACW10BP4CD		..WASHER	BN-BR	2

57-53-31

ILLUSTRATED PARTS LIST

01.1 Page 1086J

Nov 01/03


BOEING
 COMPONENT
 MAINTENANCE MANUAL

FIG. & ITEM	PART NO.	AIRLINE PART NUMBER	NOMENCLATURE 1234567	EFF CODE	QTY PER ASSY
03-108	BACW10BP4AP		..WASHER	G-R, U-Z,A C-AR, AY,AZ ,BE-B H	2
-108A	BACW10BP4DP		..WASHER	BN-BR	2
111	BACN10GW4AS		..NUT	G-R, U-Z,A C-AR, AY,AZ ,BE-B H	2
114	113T1245-1		..FITTING-SPRT (OPT ITEM 114A)	G-R, U-Z,A C-AR, AY,AZ ,BE-B H	1
-114A	113T2002-1		..FITTING-SPRT (OPT ITEM 114)	BN-BR G-R, U-Z,A C-AR, AY,AZ ,BE-B H	1
117	113T1245-2		..FITTING-SPRT (OPT ITEM 117A)	BN-BR G-R, U-Z,A C-AR, AY,AZ ,BE-B H BN-BR	1

57-53-31

ILLUSTRATED PARTS LIST

01.1 Page 1086K

Nov 01/03

FIG. & ITEM	PART NO.	AIRLINE PART NUMBER	NOMENCLATURE 1234567	EFF CODE	QTY PER ASSY
03- -117A	113T2002-2		..FITTING-SPRT (OPT ITEM 117)	G-R, U-Z,A C-AR, AY,AZ ,BE-B H BN-BR	1
120	113T1245-3		..FITTING-SPRT (OPT ITEM 120A)	G-R, U-Z,A C-AR, AY,AZ ,BE-B H BN-BR	1
-120A	113T2001-1		..FITTING-SPRT (OPT ITEM 120)	G-R, U-Z,A C-AR, AY,AZ ,BE-B H BN-BR	1
123	113T1245-4		..FITTING-SPRT (OPT ITEM 123A)	G-R, U-Z,A C-AR, AY,AZ ,BE-B H BN-BR	1
-123A	113T2001-2		..FITTING-SPRT (OPT ITEM 123)	G-R, U-Z,A C-AR, AY,AZ ,BE-B H BN-BR	1
126	113T1347-78		..BUSHING	G-R, U-Z,A C-AR, AY,AZ ,BE-B H BN-BR	4

57-53-31

 ILLUSTRATED PARTS LIST
 01.1 Page 1086L
 Nov 01/03

BOEING
 COMPONENT
 MAINTENANCE MANUAL

FIG. & ITEM	PART NO.	AIRLINE PART NUMBER	NOMENCLATURE 1234567	EFF CODE	QTY PER ASSY
03-129	113T1347-105		..BUSHING	G-R, U-Z,A C-AR, AY,AZ ,BE-B H BN-BR	4
132	272T1434-3		..BRACKET ASSY-HYDR	K-M,P ,R,V, Y,Z,A D,AF, AH,AK AM,AP ,AR,A Z,BF, BH,B N-BR	1
135	HL1012AZ8-4		..BOLT- (VOPTK6) (SPEC BACB30NX8K4) (OPT HL12VAZ8-4 (V73197)) (OPT HL12VAZ8-4 (V92215)) (OPT HL12VAZ8-4 (V97928)) (OPT L802-8K4 (V06725)) (OPT HL12VAZ8-4 (V56878)) (OPT HL1012AZ8-4 (V06725)) (OPT HL1012AZ8-4 (V06950)) (OPT HL1012AZ8-4 (V17446)) (OPT HL1012AZ8-4 (V56878)) (OPT HL1012AZ8-4 (V60516)) (OPT HL1012AZ8-4 (V73197)) (OPT HL1012AZ8-4 (V97928))	K-M,P ,R,V, Y,Z,A D,AF, AH,AK AM,AP ,AR,A Z,BF, BH,B N-BR	2

57-53-31

ILLUSTRATED PARTS LIST
 01.1 Page 1086M
 Nov 01/03

FIG. & ITEM	PART NO.	AIRLINE PART NUMBER	NOMENCLATURE 1234567	EFF CODE	QTY PER ASSY
03-138	HL1187-8		..COLLAR- (V5M902) (SPEC BACC30X8) (OPT HL87-8 (V73197)) (OPT HL87-8 (V92215)) (OPT HL1187-8 (V56878)) (OPT HL1187-8 (V92215)) (OPT HL87-8 (V56878)) (OPT HL1187-8 (V73197)) -----*-----	K-M,P ,R,V, Y,Z,A D,AF, AH,AK AM,AP ,AR,A Z,BF, BH,B N-BR	2
141	BACR15BA3AD		...RIVET- (SIZE DETERMINE ON INST)	K-M,P ,R,V, Y,Z,A D,AF, AH,AK AM,AP ,AR,A Z,BF, BH,B N-BR	4
144	BRFM20A3		...NUTPLATE- (V52828) (SPEC BACN10JN3) (OPT MF1000-3BAC (V15653)) (OPT NS103218-02 (V80539)) (OPT RMF9201M3 (V72962)) (OPT VN252A02 (V92215)) (OPT MF1000-3BAC (V15653)) (OPT MF53049-3 (V15653))	K-M,P ,R,V, Y,Z,A D,AF, AH,AK AM,AP ,AR,A Z,BF, BH,B N-BR	2

57-53-31

ILLUSTRATED PARTS LIST

01.1 Page 1086N

Nov 01/03


BOEING
 COMPONENT
 MAINTENANCE MANUAL

FIG. & ITEM	PART NO.	AIRLINE PART NUMBER	NOMENCLATURE 1234567	EFF CODE	QTY PER ASSY
03-147	272T1434-4		...BRACKET	K-M,P ,R,V, Y,Z,A D,AF, AH,AK AM,AP ,AR,A Z,BF, BH,B N-BR	1
150	113T1734-1		..FITTING ASSY-VERT. ATTACH (OPT TO ITEM 150A)	G,J, L-R, U-Z,A C-AR, AY,AZ BE-BH BN-BR	2
-150A	113T1787-1		..FITTING ASSY-VERT. ATTACH (OPT TO ITEM 150)	G,J, L-R, U-Z,A C-AR, AY,AZ BE-BH ,BN-B R	2
-150B	113T1734-1		..FITTING ASSY-VERT. ATTACH	H,K	2

57-53-31

ILLUSTRATED PARTS LIST

01.1 Page 10860

Nov 01/03

FIG. & ITEM	PART NO.	AIRLINE PART NUMBER	NOMENCLATURE 1234567	EFF CODE	QTY PER ASSY
03- 153	HL1012AZ8-9		ATTACHING PARTS ..BOLT- (VOPTK6) (SPEC BACB30NX8K9) (OPT HL12VAZ8-9 (V73197)) (OPT HL12VAZ8-9 (V92215)) (OPT HL12VAZ8-9 (V97928)) (OPT L802-8K9 (V06725)) (OPT HL12VAZ8-9 (V56878)) (OPT HL1012AZ8-9 (V06725)) (OPT HL1012AZ8-9 (V06950)) (OPT HL1012AZ8-9 (V17446)) (OPT HL1012AZ8-9 (V56878)) (OPT HL1012AZ8-9 (V60516)) (OPT HL1012AZ8-9 (V73197)) (OPT HL1012AZ8-9 (V97928))	G-R, U-Z,A C-AR, AY,AZ ,BE-B H BN-BR	4
156	HL1187-8		..COLLAR- (VM902) (SPEC BACC30X8) (OPT HL87-8 (V73197)) (OPT HL87-8 (V92215)) (OPT HL1187-8 (V56878)) (OPT HL1187-8 (V92215)) (OPT HL87-8 (V56878)) (OPT HL1187-8 (V73197)) -----*-----	G-R, U-Z,A C-AR, AY,AZ ,BE-B H BN-BR	4

57-53-31

 ILLUSTRATED PARTS LIST
 01.1 Page 1086P
 Nov 01/03

BOEING
 COMPONENT
 MAINTENANCE MANUAL

FIG. & ITEM	PART NO.	AIRLINE PART NUMBER	NOMENCLATURE 1234567	EFF CODE	QTY PER ASSY
03-159	ADW04V301NC		...BEARING- (V15860) (SPEC BACB10FA04GC) (OPT SWKRS04-350SC (V81376)) (OPT KSC152200BZ04GC (V50632)) (OPT KWDB04-35 (V97613)) (OPT WES04FAGC (V73134)) (OPT WHTFA04VC (VS0352))	G-R, U-Z,A C-AR, AY,AZ ,BE-B H	1
162	113T1734-2		...FITTING	G-R, U-Z,A C-AR, AY,AZ ,BE-B H BN-BR	1
165	272T1427-1		..BRACKET ASSY-HYDR	G-J,N ,Q,U, W,X,A C,AE, AG,AJ AL,AN ,AQ,A Y,BE, BG,BN ,BQ	1

57-53-31

ILLUSTRATED PARTS LIST
 01.1 Page 1086Q
 Nov 01/03

FIG. & ITEM	PART NO.	AIRLINE PART NUMBER	NOMENCLATURE 1234567	EFF CODE	QTY PER ASSY
03-168	272T1427-5		..BRACKET ASSY-HYDR	K-M,P ,R,V, Y,Z,A D,AF, AH,AK AM,AP ,AR,A Z,BF, BH,BP ,BR	1
171	BACR15FT6D		ATTACHING PARTS ..RIVET- (SIZE DETERMINE ON INST)	G-R, U-Z,A C-AR, AY,AZ BE-BH BN-BR	2
174	BACR15BA3AD		-----*----- ...RIVET- (SIZE DETERMINE ON INST)	G-R, U-Z,A C-AR, AY,AZ ,BE-B H BN-BR	4
177	BRFM20A3		...NUTPLATE- (V52828) (SPEC BACN10JN3) (OPT MF1000-3BAC (V15653)) (OPT NS103218-02 (V80539)) (OPT RMF9201M3 (V72962)) (OPT VN252A02 (V92215)) (OPT MF1000-3BAC (V15653)) (OPT MF53049-3 (V15653))	G-R, U-Z,A C-AR, AY,AZ ,BE-B H BN-BR	2

57-53-31

 ILLUSTRATED PARTS LIST
 01.1 Page 1086R
 Nov 01/03

BOEING
 COMPONENT
 MAINTENANCE MANUAL

FIG. & ITEM	PART NO.	AIRLINE PART NUMBER	NOMENCLATURE	EFF CODE	QTY PER ASSY
03-180	272T1427-2		1234567 ...BRACKET	G-J,N ,Q,U, W,X,A C,AE, AG,AJ AL,AN ,AQ,A Y,BE, BG,BN ,BQ	1
-183	272T1427-6		...BRACKET	K-M,P ,R,V, Y,Z,A D,AF, AH,AK AM,AP ,AR,A Z,BF, BH,BP ,BR	1
186	272T1427-3		..BRACKET ASSY-HYDR	G-J,N ,Q,U, W,X, AC,AE AG,AJ AL,AN AQ,AY BE,BG BN,BQ	1

57-53-31

ILLUSTRATED PARTS LIST
 01.1 Page 1086S
 Nov 01/03

FIG. & ITEM	PART NO.	AIRLINE PART NUMBER	NOMENCLATURE 1234567	EFF CODE	QTY PER ASSY
03-189	272T0164-1		..BRACKET ASSY-HYDR	K-M,P ,R,V, Y,Z,A D,AF, AH,AK AM,AP ,AR,A Z,BF, BH,BP ,BR	1
192	BACR15FT6AD		ATTACHING PARTS ..RIVET- (SIZE DETERMINE ON INST)	K-M,P ,R,V, Y,Z,A D,AF, AH,AK AM,AP ,AR,A Z,BF, BH,BP ,BR	3
195	BACR15FT6D		..RIVET- (SIZE DETERMINE ON INST)	G-J,N ,Q,U, W,X,A C,AE, AG,AJ AL,AN ,AQ,A Y,BE, BG,BN ,BQ	2
			-----*		

57-53-31

 ILLUSTRATED PARTS LIST
 01.1 Page 1086T
 Nov 01/03

BOEING
 COMPONENT
 MAINTENANCE MANUAL

FIG. & ITEM	PART NO.	AIRLINE PART NUMBER	NOMENCLATURE 1234567	EFF CODE	QTY PER ASSY
03-198	BACR15BA3AD		...RIVET- (SIZE DETERMINE ON INST)	G-J,N ,Q,U, W,X,A C,AE, AG,AJ AL,AN ,AQ,A Y,BE, BG,BN ,BQ	4
201	BACR15BA3AD		...RIVET- (SIZE DETERMINE ON INST)	K-M,P ,R,V, Y,Z,A D,AF, AH,AK AM,AP ,AR,A Z,BF, BH,BP ,BQ	6
204	BRFM20A3		...NUTPLATE- (V52828) (SPEC BACN10JN3) (OPT MF1000-3BAC (V15653)) (OPT NS103218-02 (V80539)) (OPT RMF9201M3 (V72962)) (OPT VN252A02 (V92215)) (OPT MF1000-3BAC (V15653)) (OPT MF53049-3 (V15653))	G-J,N ,Q,U, W,X,A C,AE, AG,AJ AL,AN ,AQ,A Y,BE, BG,BN ,BQ	2

57-53-31

ILLUSTRATED PARTS LIST
 01.1 Page 1086U
 Nov 01/03

FIG. & ITEM	PART NO.	AIRLINE PART NUMBER	NOMENCLATURE 1234567	EFF CODE	QTY PER ASSY
03-207	BRFM20A3		...NUTPLATE- (V52828) (SPEC BACN10JN3) (OPT MF1000-3BAC (V15653)) (OPT NS103218-02 (V80539)) (OPT RMF9201M3 (V72962)) (OPT VN252A02 (V92215)) (OPT MF1000-3BAC (V15653)) (OPT MF53049-3 (V15653))	K-M,P ,R,V, Y,Z,A D,AF, AH,AK AM,AP ,AR,A Z,BF, BH,BP ,BR	3
210	272T1427-4		...BRACKET	G-J,N Q,U, W,X, AC,AE AG,AJ AL,AN AQ,AY BE,BG BN,BQ	1
213	272T0164-2		...BRACKET	K-M,P ,R,V, Y,Z,A D,AF, AH,AK AM,AP ,AR,A Z,BF, BH,BP ,BR	1

57-53-31

 ILLUSTRATED PARTS LIST
 01.1 Page 1086V
 Nov 01/03


BOEING
 COMPONENT
 MAINTENANCE MANUAL

FIG. & ITEM	PART NO.	AIRLINE PART NUMBER	NOMENCLATURE 1234567	EFF CODE	QTY PER ASSY
03-216	HL11VAZ8-4		..BOLT- (V60516) (SPEC BACB30NW8K4) (OPT B30NW8K4 (V97928)) (OPT HL11VAZ8-4 (V73197)) (OPT HL11VAZ8-4 (V92215)) (OPT HL11VAZ8-4 (V97928)) (OPT L803-8K4 (V06725)) (OPT HL11VAZ8-4 (V0PTK6)) (OPT HL11VAZ8-4 (V56878))	G-R, U-Z,A C-AR, AY,AZ BE-B H BN-BR	8
219	HL11VAZ8-6		..BOLT- (V60516) (SPEC BACB30NW8K6) (OPT B30NW8K6 (V97928)) (OPT HL11VAZ8-6 (V73197)) (OPT HL11VAZ8-6 (V92215)) (OPT HL11VAZ8-6 (V97928)) (OPT L803-8K6 (V06725)) (OPT HL11VAZ8-6 (V0PTK6)) (OPT HL11VAZ8-6 (V56878))	G-R, U-Z,A C-AR, AY,AZ BE-B H BN-BR	38

57-53-31

ILLUSTRATED PARTS LIST

01.1 Page 1086W

Nov 01/03

FIG. & ITEM	PART NO.	AIRLINE PART NUMBER	NOMENCLATURE 1234567	EFF CODE	QTY PER ASSY
03-222	HL11VAZ8-8		..BOLT- (V56878) (SPEC BACB30NW8K8) (OPT B30NW8K8 (V97928)) (OPT HL11VAZ8-8 (V73197)) (OPT HL11VAZ8-8 (V92215)) (OPT HL11VAZ8-8 (V97928)) (OPT L803-8K8 (V06725)) (OPT HL11VAZ8-8 (V0PTK6)) (OPT HL11VAZ8-8 (V60516))	G-R, U-Z,A C-AR, AY,AZ ,BE-B H BN-BR	2
225	HL11VAZ8-10		..BOLT- (V60516) (SPEC BACB30NW8K10) (OPT B30NW8K10 (V97928)) (OPT HL11VAZ8-10 (V73197)) (OPT HL11VAZ8-10 (V92215)) (OPT HL11VAZ8-10 (V97928)) (OPT L803-8K10 (V06725)) (OPT HL11VAZ8-10 (V0PTK6)) (OPT HL11VAZ8-10 (V56878))	G-R, U-Z,A C-AR, AY,AZ ,BE-B H BN-BR	5

57-53-31

 ILLUSTRATED PARTS LIST
 01.1 Page 1086X
 Nov 01/03


BOEING
 COMPONENT
 MAINTENANCE MANUAL

FIG. & ITEM	PART NO.	AIRLINE PART NUMBER	NOMENCLATURE 1234567	EFF CODE	QTY PER ASSY
03-228	HL79-8		..COLLAR- (V5M902) (SPEC BACC30M8) (OPT HL79-8 (V73197)) (OPT HL79-8 (V92215)) (OPT 66014-8 (V56878)) (OPT HL79-8 (V56878))	G-R, U-Z,A C-AR, AY,AZ ,BE-B H BN-BR	53
231	HL10VAZ6-3		..BOLT- (V60516) (SPEC BACB30MY6K3) (OPT B30MY6K3 (V97928))	G-R, U-Z,A C-AR, AY,AZ ,BE-B H BN-BR	8
234 234A	BACB30MY6K7 HL10VAZ6-3		DELETED ..BOLT- (V60516) (SPEC BACB30MY6K3) (OPT B30MY6K3 (V97928))	G-R, U-Z,A C-AR, AY,AZ ,BE-B H BN-BR	6
237	HL10VAZ6-4		..BOLT- (V60516) (SPEC BACB30MY6K4) (OPT B30MY6K4 (V97928))	G-R, U-Z,A C-AR, AY,AZ ,BE-B H BN-BR	4

57-53-31

ILLUSTRATED PARTS LIST

01.1 Page 1086Y

Nov 01/03

FIG. & ITEM	PART NO.	AIRLINE PART NUMBER	NOMENCLATURE 1234567	EFF CODE	QTY PER ASSY
03-240	HL79-6		..COLLAR- (V5M902) (SPEC BACC30M6) (OPT HL79-6 (V73197)) (OPT HL79-6 (V92215)) (OPT 66014-6 (V56878)) (OPT HL79-6 (V56878))	G-R, U-Z,A C-AR, AY,AZ ,BE-B H BN-BR	18
243	113T1240-15		..ANGLE	G-R, U-Z,A C-AR, AY,AZ ,BE-B H BN-BR	1
-243A 246	113T1240-42 113T1240-16		DELETED ..ANGLE	G-R, U-Z,A C-AR, AY,AZ ,BE-B H BN-BR	1
249 252	113T1240-43 HL10VAZ8-4		DELETED ..BOLT- (V60516) (SPEC BACB30MY8K4) (OPT B30MY8K4 (V97928))	G-R, U-Z,A C-AR, AY,AZ ,BE-B H BN-BR	2
-252A 255	BACB30MY8K9 HL10VAZ8-8		DELETED ..BOLT- (V60516) (SPEC BACB30MY8K8) (OPT B30MY8K8 (V97928))	G-R, U-Z,A C-AR, AY,AZ ,BE-B H BN-BR	2

57-53-31

ILLUSTRATED PARTS LIST

01.1 Page 1086Z

Nov 01/03


BOEING
 COMPONENT
 MAINTENANCE MANUAL

FIG. & ITEM	PART NO.	AIRLINE PART NUMBER	NOMENCLATURE 1234567	EFF CODE	QTY PER ASSY
03-258	HL79-8		..COLLAR- (V5M902) (SPEC BACC30M8) (OPT HL79-8 (V73197)) (OPT HL79-8 (V92215)) (OPT 66014-8 (V56878)) (OPT HL79-8 (V56878))	G-R, U-Z,A C-AR, AY,AZ ,BE-B H BN-BR	4
261	HL10VAZ6-2		..BOLT- (V60516) (SPEC BACB30MY6K2) (OPT B30MY6K2 (V97928))	G-R, U-Z,A C-AR, AY,AZ ,BE-B H BN-BR	3
264	HL10VAZ6-3		..BOLT- (V60516) (SPEC BACB30MY6K3) (OPT B30MY6K3 (V97928))	G-R, U-Z,A C-AR, AY,AZ ,BE-B H BN-BR	3
267	HL79-6		..COLLAR- (V5M902) (SPEC BACC30M6) (OPT HL79-6 (V73197)) (OPT HL79-6 (V92215)) (OPT 66014-6 (V56878)) (OPT HL79-6 (V56878))	G-R, U-Z,A C-AR, AY,AZ ,BE-B H BN-BR	6
269	113T1240-7		..SKIN	G-R, U-Z,A C-AR, AY,AZ ,BE-B H BN-BR	1

57-53-31

ILLUSTRATED PARTS LIST

01.1

Page 1087

Nov 01/03

FIG. & ITEM	PART NO.	AIRLINE PART NUMBER	NOMENCLATURE 1234567	EFF CODE	QTY PER ASSY
03-270	113T1240-28		..STRAP	G-R, U-Z,A C-AR, AY,AZ	2
-270A	113T1240-117		..STRAP	BE-BH ,BN-B R	2
R 271	HL10VAZ10-9		..BOLT- (V60516) (SPEC BACB30MY10K9)	G-R, U-Z,A C-AR, AY,AZ ,BE-B H	2
R 272	HL10VAZ10-10		..BOLT- (V60516) (SPEC BACB30MY10K10)	BN-BR G-M,U ,V	6
R 273	HL10VAZ10-9		DELETED		
R 273A	HL10VAZ10-10		..BOLT- (V60516) (SPEC BACB30MY10K10)	N-R, W-Z,A C-AR, AY,AZ ,BE-B H	4
-274	113T1240-105		..KIT ASSY-SUBSTITUTION (OPT ITEM 275)	BN-BR BE-BH	1
-274A	113T1240-105		..KIT ASSY-SUBSTITUTION (OPT ITEM 275A)	BN-BR	1
R 274J	HL10VAZ10-10		...BOLT- (V60516) (SPEC BACB30MY10K10)	BE-BH ,BN-B R	2
274L	HL79-10		...COLLAR- (V5M902) (SPEC BACC30M10) (OPT HL79-10 (V73197)) (OPT HL79-10 (V92215)) (OPT 66014-10 (V56878)) (OPT HL79-10 (V56878))	BE-BH ,BN-B R	2

57-53-31

ILLUSTRATED PARTS LIST

01.1

Page 1088

Nov 01/03


BOEING
 COMPONENT
 MAINTENANCE MANUAL

FIG. & ITEM	PART NO.	AIRLINE PART NUMBER	NOMENCLATURE 1234567	EFF CODE	QTY PER ASSY
03-					
-275	113T1240-106		..KIT ASSY-SUBSTITUTION (OPT ITEM 274)	BE-BH	1
-275A	113T1240-119		..KIT ASSY-SUBSTITUTION (OPT ITEM 274A)	BN-BR	1
276	HL10VAZ10-10		DELETED		
276B	BACB30MR5K12		...BOLT	BE-BH	2
-276C	BACB30US5K12		...BOLT	BN-BR	2
276P	BACW10BP5AC		...WASHER	BE-BH	2
-276Q	BACW10BP5CD		...WASHER	BN-BR	2
276T	BACW10BP5AP		...WASHER	BE-BH	2
-276U	BACW10BP5DP		...WASHER	BN-BR	2
277	HL10VAZ10-10		DELETED		
277B	BACN10GW5AS		...NUT	BE-BH	2
-277C	H51560-5		...NUT- (V15653) (SPEC BACN10HR5CD) (OPT 67832CD524 (V56878)) (OPT 102LH9031-5 (V72962)) (OPT SL7108C524 (V11815)) (OPT BH00303CM5 (V27238)) (OPT BMN5024CWD35 (V97928)) (OPT CR60305 (V62554)) (OPT SL7108C5 (V11815)) (OPT VCU0005D5 (V06710)) (OPT 102LH90315 (V72962)) (OPT BMN10HRCWD3-5 (V97928)) (OPT BH00303CM5 (V27238)) (OPT 67832CD5 (V56878))	BE-BH BN-BR	2 2

57-53-31

 ILLUSTRATED PARTS LIST
 01.1 Page 1088A
 Nov 01/03

FIG. & ITEM	PART NO.	AIRLINE PART NUMBER	NOMENCLATURE 1234567	EFF CODE	QTY PER ASSY
03-278	HL10VAZ10-10		..BOLT- (V60516) (SPEC BACB30MY10K10) (OPT B30MY10K10 (V97928)) (ITEM 278 WITH ITEM 284 IS OPT TO ITEM 278A WITH ITEM 280 (UNDER BOLT HEAD), ITEM 281 (UNDER NUT) AND ITEM 284A)	N-R, W-Z,A C-AR, AY,AZ	2
-278A	BACB30MR5K12		..BOLT- (ITEM 278 WITH ITEM 284 IS OPT TO ITEM 278A WITH ITEM 280 (UNDER BOLT HEAD), ITEM 281 (UNDER NUT) AND ITEM 284A)	N-R, W-Z,A C-AR, AY,AZ	2
279	HL10VAZ10-11		..BOLT- (V60516) (SPEC BACB30MY10K11) (OPT B30MY10K11 (V97928))	G-R, U-Z,A C-AR, AY,AZ ,BE-B H BN-BR	2
280	BACW10BP5AC		..WASHER- (ITEM 278 WITH ITEM 284 IS OPT TO ITEM 278A WITH ITEM 280 (UNDER BOLT HEAD), ITEM 281 (UNDER NUT) AND ITEM 284A)	N-R, W-Z,A C-AR, AY,AZ	2
280A	BACW10BP5CD		DELETED		

57-53-31

ILLUSTRATED PARTS LIST

01.1 Page 1088B

Nov 01/03


BOEING
 COMPONENT
 MAINTENANCE MANUAL

FIG. & ITEM	PART NO.	AIRLINE PART NUMBER	NOMENCLATURE 1234567	EFF CODE	QTY PER ASSY
03-281	BACW10BP5AP		..WASHER- (ITEM 278 WITH ITEM 284 IS OPT TO ITEM 278A WITH ITEM 280 (UNDER BOLT HEAD), ITEM 281 (UNDER NUT) AND ITEM 284A)	N-R, W-Z,A C-AR, AY,AZ	2
281A 282	BACW10BP5DP HL79-10		DELETED ..COLLAR- (V5M902) (SPEC BACC30M10) (OPT HL79-10 (V73197)) (OPT HL79-10 (V92215)) (OPT 66014-10 (V56878)) (OPT HL79-10 (V56878))	G-R, U-Z,A C-AR, AY,AZ ,BE-B H BN-BR	10
283	HL79-10		..COLLAR- (V5M902) (SPEC BACC30M10) (OPT HL79-10 (V73197)) (OPT HL79-10 (V92215)) (OPT 66014-10 (V56878)) (OPT HL79-10 (V56878))	N-R, W-Z,A C-AR, AY,AZ ,BE-B H BN-BR	4

57-53-31

 ILLUSTRATED PARTS LIST
 01.1 Page 1088C
 Nov 01/03

FIG. & ITEM	PART NO.	AIRLINE PART NUMBER	NOMENCLATURE 1234567	EFF CODE	QTY PER ASSY
03-284	HL79-10		..COLLAR- (V5M902) (SPEC BACC30M10) (OPT HL79-10 (V73197)) (OPT HL79-10 (V92215)) (OPT 66014-10 (V56878)) (OPT HL79-10 (V56878)) (ITEM 278 WITH ITEM 284 IS OPT TO ITEM 278A WITH ITEM 280 (UNDER BOLT HEAD), ITEM 281 (UNDER NUT) AND ITEM 284A)	N-R, W-Z,A C-AR, AY,AZ	2
-284A	BACN10GW5AS		..NUT- (ITEM 278 WITH ITEM 284 IS OPT TO ITEM 278A WITH ITEM 280 (UNDER BOLT HEAD), ITEM 281 (UNDER NUT) AND ITEM 284A)	N-R, W-Z,A C-AR, AY,AZ	2
285	287T0020-437		..STUD ASSY-GND	G-J,N ,Q,U, W,X,A C,AE, AG,AJ AL,AN ,AQ,A Y,BE, BG,BN ,BQ	1
-288	287T0020-438		..STUD ASSY-GND	K,P,V ,Y,AD ,AF,A K,AM, AP,AR AZ,BF ,BH,B P,BR	1

57-53-31

ILLUSTRATED PARTS LIST

01.1 Page 1088D

Nov 01/03

 **BOEING**
**COMPONENT
 MAINTENANCE MANUAL**

FIG. & ITEM	PART NO.	AIRLINE PART NUMBER	NOMENCLATURE 1234567	EFF CODE	QTY PER ASSY
03- 291	HL1012AZ8-9		ATTACHING PARTS ..BOLT- (VOPTK6) (SPEC BACB30NX8K9) (OPT HL12VAZ8-9 (V73197)) (OPT HL12VAZ8-9 (V92215)) (OPT HL12VAZ8-9 (V97928)) (OPT L802-8K9 (V06725)) (OPT HL12VAZ8-9 (V56878)) (OPT HL1012AZ8-9 (V06725)) (OPT HL1012AZ8-9 (V06950)) (OPT HL1012AZ8-9 (V17446)) (OPT HL1012AZ8-9 (V56878)) (OPT HL1012AZ8-9 (V60516)) (OPT HL1012AZ8-9 (V73197)) (OPT HL1012AZ8-9 (V97928))	H,K	2

57-53-31

ILLUSTRATED PARTS LIST
 01.1 Page 1088E
 Nov 01/03

FIG. & ITEM	PART NO.	AIRLINE PART NUMBER	NOMENCLATURE 1234567	EFF CODE	QTY PER ASSY
03- -291A	HL1012AZ8-10		..BOLT- (VOPTK6) (SPEC BACB30NX8K10) (OPT HL12VAZ8-10 (V73197)) (OPT HL12VAZ8-10 (V92215)) (OPT HL12VAZ8-10 (V97928)) (OPT L802-8K10 (V06725)) (OPT HL12VAZ8-10 (V56878)) (OPT HL1012AZ8-10 (V06725)) (OPT HL1012AZ8-10 (V06950)) (OPT HL1012AZ8-10 (V17446)) (OPT HL1012AZ8-10 (V56878)) (OPT HL1012AZ8-10 (V60516)) (OPT HL1012AZ8-10 (V73197)) (OPT HL1012AZ8-10 (V97928))	G,J, N-Q, U-Y,A C-AG, AJ-AR AY,AZ BE-B H,B N-BR	2
294	HL1187-8		..COLLAR- (V5M902) (SPEC BACC30X8) (OPT HL87-8 (V73197)) (OPT HL87-8 (V92215)) (OPT HL1187-8 (V56878)) (OPT HL1187-8 (V92215)) (OPT HL87-8 (V56878)) (OPT HL1187-8 (V73197)) -----*-----	G-K, N-Q, U-Y,A C-AG, AJ-AR AY,AZ BE-B H,B N-BR	2

57-53-31

ILLUSTRATED PARTS LIST

01.1 Page 1088F

Nov 01/03


BOEING
 COMPONENT
 MAINTENANCE MANUAL

FIG. & ITEM	PART NO.	AIRLINE PART NUMBER	NOMENCLATURE 1234567	EFF CODE	QTY PER ASSY
03-296	VNS1924CA1-8		...STUD- (V5M902) (SPEC BACS53B1EA1) (OPT VNS1924CA3-1-8 (V92215)) (ITEMS 297, 300 (QTY 2), 303, 306A TOGETHER ARE OPTIONAL TO ITEM 296)	G-K, N-Q, U-Y,A C-AG, AJ-AR AY,AZ ,BE-B H,B N-BR	2
297	NAS1801-3-12		...SCREW- (ITEMS 297, 300 (QTY 2), 303, 306A TOGETHER ARE OPTIONAL TO ITEM 296)	G-K, N-Q, U-Y,A C-AG, AJ-AR AY,AZ ,BE-B H,B N-BR	2
300	AN960D10L		...WASHER- (ITEMS 297, 300 (QTY 2), 303, 306A TOGETHER ARE OPTIONAL TO ITEM 296)	G-K, N-Q, U-Y,A C-AG, AJ-AR AY,AZ ,BE-B H,B N-BR	4
303	MS35338-43		...WASHER- (ITEMS 297, 300 (QTY 2), 303, 306A TOGETHER ARE OPTIONAL TO ITEM 296)	G-K, N-Q, U-Y,A C-AG, AJ-AR AY,AZ ,BE-B H,B N-BR	2

57-53-31

ILLUSTRATED PARTS LIST

01.1 Page 1088G

Nov 01/03

FIG. & ITEM	PART NO.	AIRLINE PART NUMBER	NOMENCLATURE	EFF CODE	QTY PER ASSY
			1234567		
03- 306 306A	MS35650-305S MS35650-305T		DELETED ...NUT- (ITEMS 297, 300 (QTY 2), 303, 306A TOGETHER ARE OPTIONAL TO ITEM 296)	G-K, N-Q, U-Y,A C-AG, AJ-AR AY,AZ ,BE-B H,B N-BR	2
309	BACR15BB3AD		...RIVET- (SIZE DETERMINE ON INST)	G-K, N-Q, U-Y,A C-AG, AJ-AR AY,AZ ,BE-B H,B N-BR	2

57-53-31

 ILLUSTRATED PARTS LIST
 01.1 Page 1088H
 Nov 01/03


BOEING
 COMPONENT
 MAINTENANCE MANUAL

FIG. & ITEM	PART NO.	AIRLINE PART NUMBER	NOMENCLATURE 1234567	EFF CODE	QTY PER ASSY
03-312	BRM100A3		...NUTPLATE- (V52828) (SPEC BACN10JP3B) (OPT MK2000-3BAC (V15653)) (OPT NS103198-02 (V80539)) (OPT RMA9207-3 (V72962)) (OPT T8077S1032 (V11815)) (OPT VN201A1-02 (V92215)) (OPT ITEMS 312A, 312B)	G-K, N-Q, U-Y,A C-AG, AJ-AR AY,AZ ,BE-B H,B N-BR	1
-312A	BR1000A3		...NUTPLATE- (V52828) (SPEC BACN10KB3) (OPT K2000-3 (V15653)) (OPT RMA9207-3 (V72962)) (OPT T8109S1032 (V11815)) (OPT VN101A1-02 (V92215)) (OPT K2000-3 (V15653)) (OPT ITEMS 312, 312B)	G-K, N-Q, U-Y,A C-AG, AJ-AR AY,AZ ,BE-B H,B N-BR	1
-312B	BRM200A3		...NUTPLATE- (V52828) (SPEC BACN10JP3A) (OPT MK1000-3BAC (V15653)) (OPT NS103197-02 (V80539)) (OPT RMA9201M3 (V72962)) (OPT T8076S1032 (V11815)) (OPT VN202A1-02 (V92215)) (OPT ITEMS 312, 312A)	G-K, N-Q, U-Y,A C-AG, AJ-AR AY,AZ ,BE-B H,B N-BR	1

57-53-31

ILLUSTRATED PARTS LIST

01.1 Page 1088I

Nov 01/03

FIG. & ITEM	PART NO.	AIRLINE PART NUMBER	NOMENCLATURE 1234567	EFF CODE	QTY PER ASSY
03-315	287T0020-439		...ZEE	G-J,N ,Q,U, W,X,A C,AE, AG,AJ AL,AN ,AQ,A Y,BE, BG,BN ,BQ	1
-318	287T0020-440		...ZEE	K,P,V ,Y,AD ,AF,A K,AM, AP,AR AZ,BF ,BH,B P,BR	1
319	BACF3F010J027DE		..FILLER	G,J, N-Q, U-Y,A C-AG, AJ-AR AY,AZ ,BE-B H,B N-BR	1

57-53-31

 ILLUSTRATED PARTS LIST
 01.1 Page 1088J
 Nov 01/03

BOEING
 COMPONENT
 MAINTENANCE MANUAL

FIG. & ITEM	PART NO.	AIRLINE PART NUMBER	NOMENCLATURE	EFF CODE	QTY PER ASSY
			1234567		
03-321	HL1012AZ8-9		..BOLT- (V0PTK6) (SPEC BACB30NX8K9) (OPT HL12VAZ8-9 (V73197)) (OPT HL12VAZ8-9 (V92215)) (OPT HL12VAZ8-9 (V97928)) (OPT L802-8K9 (V06725)) (OPT HL12VAZ8-9 (V56878)) (OPT HL1012AZ8-9 (V06725)) (OPT HL1012AZ8-9 (V06950)) (OPT HL1012AZ8-9 (V17446)) (OPT HL1012AZ8-9 (V56878)) (OPT HL1012AZ8-9 (V60516)) (OPT HL1012AZ8-9 (V73197)) (OPT HL1012AZ8-9 (V97928))	G-R, U-Z,A C-AR, AY,AZ BE-B H BN-BR	2
324	HL1187-8		..COLLAR- (V5M902) (SPEC BACC30X8) (OPT HL87-8 (V73197)) (OPT HL87-8 (V92215)) (OPT HL1187-8 (V56878)) (OPT HL1187-8 (V92215)) (OPT HL87-8 (V56878)) (OPT HL1187-8 (V73197))	G-R, U-Z,A C-AR, AY,AZ BE-B H BN-BR	2

57-53-31

ILLUSTRATED PARTS LIST
 01.1 Page 1088K
 Nov 01/03

FIG. & ITEM	PART NO.	AIRLINE PART NUMBER	NOMENCLATURE 1234567	EFF CODE	QTY PER ASSY
03-327	287T0020-472		..BRACKET-CONN.	G-K, N-Q, U-Y, AC-AG AJ-AR AY,AZ BE-BH BN-BR	1
330	272T1347-7		..BRACKET ASSY-HYDR	G-J,N ,Q,U, W,X,A C,AE, AG,AJ AL,AN ,AQ,A Y,BE, BG,BN ,BQ	1
-333	272T1347-2		..BRACKET ASSY-HYDR	K-M,P ,R,V, Y,Z,A D,AF, AH,AK AM,AP ,AR,A Z,BF, BH,BP ,BR	1
ATTACHING PARTS					

57-53-31

 ILLUSTRATED PARTS LIST
 01.1 Page 1088L
 Nov 01/03


BOEING
 COMPONENT
 MAINTENANCE MANUAL

FIG. & ITEM	PART NO.	AIRLINE PART NUMBER	NOMENCLATURE 1234567	EFF CODE	QTY PER ASSY
03-336	HL10VAZ8-5		..BOLT- (V60516) (SPEC BACB30MY8K5) (OPT B30MY8K5 (V97928))	G-R, U-Z,A C-AR, AY,AZ ,BE-B H BN-BR	3
339	HL79-8		..COLLAR- (V5M902) (SPEC BACC30M8) (OPT HL79-8 (V73197)) (OPT HL79-8 (V92215)) (OPT 66014-8 (V56878)) (OPT HL79-8 (V56878)) -----*-----	G-R, U-Z,A C-AR, AY,AZ ,BE-B H BN-BR	3
342	BACR15FT6AD		...RIVET- (SIZE DETERMINE ON INST)	G-R, U-Z,A C-AR, AY,AZ ,BE-B H BN-BR	2
345	272T1347-8		...BRACKET	G-J,N ,Q,U, W,X,A C,AE, AG,AJ AL,AN ,AQ,A Y,BE, BG,BN ,BQ	1

57-53-31

ILLUSTRATED PARTS LIST

01.1 Page 1088M

Nov 01/03

FIG. & ITEM	PART NO.	AIRLINE PART NUMBER	NOMENCLATURE 1234567	EFF CODE	QTY PER ASSY
03- -348	272T1347-3		...BRACKET	K-M,P ,R,V, Y,Z,A D,AF, AH,AK AM,AP ,AR,A Z,BF, BH,BP ,BR	1
351	272T1347-6		...BRACKET	G-J,N ,Q,U, W,X,A C,AE, AG,AJ AL,AN ,AQ,A Y,BE, BG,BN ,BQ	1
-354	272T1347-5		...BRACKET	K-M,P ,R,V, Y,Z,A D,AF, AH,AK AM,AP ,AR,A Z,BF, BH,BP ,BR	1
357	113T1240-35		..RIB ASSY-	H	1
-357A	113T1240-45		DELETED		
-357B	113T1240-61		..RIB ASSY	G,J,Q ,X,AG ,AQ,B E	1

57-53-31

 ILLUSTRATED PARTS LIST
 01.1 Page 1088N
 Nov 01/03


BOEING
 COMPONENT
 MAINTENANCE MANUAL

FIG. & ITEM	PART NO.	AIRLINE PART NUMBER	NOMENCLATURE 1234567	EFF CODE	QTY PER ASSY
03- -357C	113T1240-67		..RIB ASSY	N,W,A C,AJ, AY,BG	1
-357D	113T1240-73		..RIB ASSY-(VARIABLE)	U,AE, AL,AN	1
-357E	113T1240-127		..RIB ASSY	BN,BQ	1
-360	113T1240-36		..RIB ASSY-	K	1
-360A	113T1240-46		DELETED		
-360B	113T1240-62		..RIB ASSY	L,M,R ,Z,AH ,AR,B F	1
-360C	113T1240-68		..RIB ASSY	P,Y,A D,AK, AZ,BH	1
-360D	113T1240-74		..RIB ASSY-(VARIABLE)	V,AF, AM,AP	1
-360E	113T1240-128		..RIB ASSY	BP,BR	1
363	113T1240-5		..RIB ASSY-	H	1
-363A	113T1240-47		DELETED		
-363B	113T1240-59		..RIB ASSY	G,J	1
-363C	113T1240-79		..RIB ASSY	N,Q,W ,X,AC ,AE,A G,AJ, AL,AN AQ,BE	1
-363D	113T1240-243		..RIB ASSY	AY,BG	1
-363E	113T1240-259		..RIB ASSY	BN,BQ	1
-366	113T1240-6		..RIB ASSY-	K	1
-366A	113T1240-48		DELETED		
-366B	113T1240-60		..RIB ASSY	L,M	1
-366C	113T1240-80		..RIB ASSY	P,R,Y ,Z,AD ,AF,A H,AK, AM,AP AR,BF	1
-366D	113T1240-244		..RIB ASSY	AZ,BH	1
-366E	113T1240-260		..RIB ASSY ATTACHING PARTS	BP,BR	1

57-53-31

ILLUSTRATED PARTS LIST

01.1 Page 10880

Nov 01/03

FIG. & ITEM	PART NO.	AIRLINE PART NUMBER	NOMENCLATURE 1234567	EFF CODE	QTY PER ASSY
03-369	BACB30MR6K40		..BOLT	G-R, U-Z,A C-AR, AY,AZ ,BE-B H BN-BR	6
372	BACW10BP6AC		..WASHER	G-R, U-Z,A C-AR, AY,AZ ,BE-B H	6
-372A	BACW10BP6CD		..WASHER	BN-BR	6
375	BACW10BP6AP		..WASHER	G-R, U-Z,A C-AR, AY,AZ ,BE-B H	6
-375A	BACW10BP6DP		..WASHER	BN-BR	6
378	BACN10GW6AS		..NUT	G-R, U-Z,A C-AR, AY,AZ ,BE-B H	6
381	BACB30MR8K40		..BOLT	BN-BR G-R, U-Z,A C-AR, AY,AZ ,BE-B H BN-BR	2

57-53-31

 ILLUSTRATED PARTS LIST
 01.1 Page 1088P
 Nov 01/03


BOEING
 COMPONENT
 MAINTENANCE MANUAL

FIG. & ITEM	PART NO.	AIRLINE PART NUMBER	NOMENCLATURE 1234567	EFF CODE	QTY PER ASSY
03-384	BACW10BP8AC		..WASHER	G-R, U-Z,A C-AR, AY,AZ ,BE-B H	2
-384A	BACW10BP8CD		..WASHER	BN-BR	2
387	BACW10BP8AP		..WASHER	G-R, U-Z,A C-AR, AY,AZ ,BE-B H	2
-387A	BACW10BP8DP		..WASHER	BN-BR	2
390	BACN10GW8AS		..NUT	G-R, U-Z,A C-AR, AY,AZ ,BE-B H BN-BR	2

57-53-31

ILLUSTRATED PARTS LIST

01.1 Page 1088Q

Nov 01/03

FIG. & ITEM	PART NO.	AIRLINE PART NUMBER	NOMENCLATURE 1234567	EFF CODE	QTY PER ASSY
03-393	HL1012AZ12-26		..BOLT- (VOPTK6) (SPEC BACB30NX12K26) (OPT HL12VAZ12-26 (V73197)) (OPT HL12VAZ12-26 (V92215)) (OPT HL12VAZ12-26 (V97928)) (OPT L802-12K26 (V06725)) (OPT HL1012AZ12-26 (V56878)) (OPT HL1012AZ12-26 (V06725)) (OPT HL1012AZ12-26 (V06950)) (OPT HL1012AZ12-26 (V17446)) (OPT HL12AZ12-26 (V56878)) (OPT HL1012AZ12-26 (V60516)) (OPT HL1012AZ12-26 (V73197)) (OPT HL1012AZ12-26 (V97928))	G-R, U-Z,A C-AR, AY,AZ ,BE-B H BN-BR	4
396	HL1187-12		..COLLAR- (V5M902) (SPEC BACC30X12) (OPT HL1187-12 (V73197)) (OPT HL1187-12 (V73197)) (OPT HL1187-12 (V56878)) (OPT HL1187-12 (V92215)) (OPT HL87-12 (V56878)) (OPT HL87-12 (V73197))	G-R, U-Z,A C-AR, AY,AZ ,BE-B H BN-BR	4

57-53-31

 ILLUSTRATED PARTS LIST
 01.1 Page 1088R
 Nov 01/03

BOEING
 COMPONENT
 MAINTENANCE MANUAL

FIG. & ITEM	PART NO.	AIRLINE PART NUMBER	NOMENCLATURE	EFF CODE	QTY PER ASSY
03-399	HL1012AZ10-11		1234567 ..BOLT- (VOPTK6) (SPEC BACB30NX10K11) (OPT HL12VAZ10-11 (V73197)) (OPT HL12VAZ10-11 (V92215)) (OPT HL12VAZ10-11 (V97928)) (OPT L802-10K11 (V06725)) (OPT HL1012AZ10-11 (V06725)) (OPT HL1012AZ10-11 (V06950)) (OPT HL1012AZ10-11 (V17446)) (OPT HL1012AZ10-11 (V56878)) (OPT HL1012AZ10-11 (V60516)) (OPT HL1012AZ10-11 (V73197)) (OPT HL1012AZ10-11 (V97928)) (OPT HL12VAZ10-11 (V56878))	G-R, U-Z,A C-AR, AY,AZ ,BE-B H BN-BR	10

57-53-31

ILLUSTRATED PARTS LIST
 01.1 Page 1088S
 Nov 01/03

FIG. & ITEM	PART NO.	AIRLINE PART NUMBER	NOMENCLATURE 1234567	EFF CODE	QTY PER ASSY
03-402	HL1012AZ10-19		..BOLT- (VOPTK6) (SPEC BACB30NX10K19) (OPT HL12VAZ10-19 (V73197)) (OPT HL12VAZ10-19 (V92215)) (OPT HL12VAZ10-19 (V97928)) (OPT L802-10K19 (V06725)) (OPT HL12VAZ10-19 (V56878)) (OPT HL1012AZ10-19 (V06725)) (OPT HL1012AZ10-19 (V06950)) (OPT HL1012AZ10-19 (V17446)) (OPT HL1012AZ10-19 (V56878)) (OPT HL1012AZ10-19 (V60516)) (OPT HL1012AZ10-19 (V73197)) (OPT HL1012AZ10-19 (V97928))	G-R, U-Z,A C-AR, AY,AZ ,BE-B H BN-BR	4
405	HL1187-10		..COLLAR- (V5M902) (SPEC BACC30X10) (OPT HL87-10 (V73197)) (OPT HL87-10 (V92215)) (OPT HL1187-10 (V56878)) (OPT HL1187-10 (V92215)) (OPT HL87-10 (V56878)) (OPT HL1187-10 (V73197))	G-R, U-Z,A C-AR, AY,AZ ,BE-B H BN-BR	14

57-53-31

 ILLUSTRATED PARTS LIST
 01.1 Page 1088T
 Nov 01/03


BOEING
 COMPONENT
 MAINTENANCE MANUAL

FIG. & ITEM	PART NO.	AIRLINE PART NUMBER	NOMENCLATURE 1234567	EFF CODE	QTY PER ASSY
03-408	HL1012AZ8-4		..BOLT- (VOPTK6) (SPEC BACB30NX8K4) (OPT HL12VAZ8-4 (V73197)) (OPT HL12VAZ8-4 (V92215)) (OPT HL12VAZ8-4 (V97928)) (OPT L802-8K4 (V06725)) (OPT HL12VAZ8-4 (V56878)) (OPT HL1012AZ8-4 (V06725)) (OPT HL1012AZ8-4 (V06950)) (OPT HL1012AZ8-4 (V17446)) (OPT HL1012AZ8-4 (V56878)) (OPT HL1012AZ8-4 (V60516)) (OPT HL1012AZ8-4 (V73197)) (OPT HL1012AZ8-4 (V97928))	G-R, U-Z,A C-AR, AY,AZ BE-B H BN-BR	8

57-53-31

ILLUSTRATED PARTS LIST

01.1 Page 1088U

Nov 01/03

FIG. & ITEM	PART NO.	AIRLINE PART NUMBER	NOMENCLATURE 1234567	EFF CODE	QTY PER ASSY
03-411	HL1012AZ8-6		..BOLT- (VOPTK6) (SPEC BACB30NX8K6) (OPT HL12VAZ8-6 (V73197)) (OPT HL12VAZ8-6 (V92215)) (OPT HL12VAZ8-6 (V97928)) (OPT L802-8K6 (V06725)) (OPT HL12VAZ8-6 (V56878)) (OPT HL1012AZ8-6 (V06725)) (OPT HL1012AZ8-6 (V06950)) (OPT HL1012AZ8-6 (V17446)) (OPT HL1012AZ8-6 (V56878)) (OPT HL1012AZ8-6 (V60516)) (OPT HL1012AZ8-6 (V73197)) (OPT HL1012AZ8-6 (V97928))	G-R, U-Z,A C-AR, AY,AZ ,BE-B H BN-BR	2

57-53-31

 ILLUSTRATED PARTS LIST
 01.1 Page 1088V
 Nov 01/03


BOEING
 COMPONENT
 MAINTENANCE MANUAL

FIG. & ITEM	PART NO.	AIRLINE PART NUMBER	NOMENCLATURE 1234567	EFF CODE	QTY PER ASSY
03-414	HL1012AZ8-12		..BOLT- (V97928) (SPEC BACB30NX8K12) (OPT HL12VAZ8-12 (V73197)) (OPT HL12VAZ8-12 (V92215)) (OPT HL12VAZ8-12 (V97928)) (OPT L802-8K12 (V06725)) (OPT HL12VAZ8-12 (V56878)) (OPT HL1012AZ8-12 (V73197)) (OPT HL1012AZ8-12 (V60516)) (OPT HL1012AZ8-12 (V56878)) (OPT HL1012AZ8-12 (V17446)) (OPT HL1012AZ8-12 (V06950)) (OPT HL1012AZ8-12 (V06725)) (OPT HL1012AZ8-12 (VOPTK6))	G-R, U-Z,A C-AR, AY,AZ ,BE-B H BN-BR	14

57-53-31

 ILLUSTRATED PARTS LIST
 01.1 Page 1088W
 Nov 01/03

FIG. & ITEM	PART NO.	AIRLINE PART NUMBER	NOMENCLATURE 1234567	EFF CODE	QTY PER ASSY
03-417	HL1012AZ8-8		..BOLT- (VOPTK6) (SPEC BACB30NX8K8) (OPT HL12VAZ8-8 (V73197)) (OPT HL12VAZ8-8 (V92215)) (OPT HL12VAZ8-8 (V97928)) (OPT L802-8K8 (V06725)) (OPT HL12VAZ8-8 (V56878)) (OPT HL1012AZ8-8 (V06725)) (OPT HL1012AZ8-8 (V06950)) (OPT HL1012AZ8-8 (V17446)) (OPT HL1012AZ8-8 (V56878)) (OPT HL1012AZ8-8 (V60516)) (OPT HL1012AZ8-8 (V73197)) (OPT HL1012AZ8-8 (V97928))	G-R, U-Z,A C-AR, AY,AZ BE-B H BN-BR	19
420	HL1187-8		..COLLAR- (V5M902) (SPEC BACC30X8) (OPT HL87-8 (V73197)) (OPT HL87-8 (V92215)) (OPT HL1187-8 (V56878)) (OPT HL1187-8 (V92215)) (OPT HL87-8 (V56878)) (OPT HL1187-8 (V73197))	G-R, U-Z,A C-AR, AY,AZ BE-B H BN-BR	43

57-53-31

 ILLUSTRATED PARTS LIST
 01.1 Page 1088X
 Nov 01/03

BOEING
 COMPONENT
 MAINTENANCE MANUAL

FIG. & ITEM	PART NO.	AIRLINE PART NUMBER	NOMENCLATURE 1234567	EFF CODE	QTY PER ASSY
03-423	HL10VAZ8-8		..BOLT- (V60516) (SPEC BACB30MY8K8) (OPT B30MY8K8 (V97928))	G-R, U-Z,A C-AR, AY,AZ ,BE-B H BN-BR	6
426	HL10VAZ8-6		..BOLT- (V60516) (SPEC BACB30MY8K6) (OPT B30MY8K6 (V97928))	G-R, U-Z,A C-AR, AY,AZ ,BE-B H BN-BR	6
427	HL10VAZ8-4		..BOLT- (V60516) (SPEC BACB30MY8K4) (OPT B30MY8K4 (V97928))	G-R, U-Z,A C-AR, AY,AZ ,BE-B H BN-BR	119
429	HL79-8		..COLLAR- (V5M902) (SPEC BACC30M8) (OPT HL79-8 (V73197)) (OPT HL79-8 (V92215)) (OPT 66014-8 (V56878)) (OPT HL79-8 (V56878)) -----*	G-R, U-Z,A C-AR, AY,AZ ,BE-B H BN-BR	131

57-53-31

ILLUSTRATED PARTS LIST
 01.1 Page 1088Y
 Nov 01/03

FIG. & ITEM	PART NO.	AIRLINE PART NUMBER	NOMENCLATURE 1234567	EFF CODE	QTY PER ASSY
03-432	113T1242-23		...RIB- (USED ON ITEM 357)	H	1
-432A	113T1242-39		DELETED		
-432B	113T1242-47		DELETED		
-432C	113T1242-23		DELETED		
-432D	113T1242-59		...RIB- (USED ON ITEMS 357B, 357C, 357D)	G, J, N , Q, U, W, X, A C, AG, AJ, AQ AE, AL , AN, A Y, BE, BG BN, BQ	1
-432E	113T1242-65		...RIB- (USED ON ITEM 357E)		1
-435	113T1242-24		...RIB- (USED ON ITEM 360)	K	1
-435A	113T1242-40		DELETED		
-435B	113T1242-48		DELETED		
-435C	113T1242-24		DELETED		
-435D	113T1242-60		...RIB- (USED ON ITEMS 360B, 360C, 360D)	L, M, P , R, V, Y, Z, A D, AF, AH, AK AM, AP , AR, A Z, BF, BH BN, BQ	1
-435E	113T1242-66		...RIB- (USED ON ITEM 363E)		1

57-53-31

 ILLUSTRATED PARTS LIST
 01.1 Page 1088Z
 Nov 01/03


BOEING
 COMPONENT
 MAINTENANCE MANUAL

FIG. & ITEM	PART NO.	AIRLINE PART NUMBER	NOMENCLATURE 1234567	EFF CODE	QTY PER ASSY
03-438	113T1242-21		...RIB- (USED ON ITEM 357)	H	1
-438A	113T1242-31		DELETED		
-438B	113T1242-37		DELETED		
-438C	113T1242-45		DELETED		
-438D	113T1242-49		...RIB- (USED ON ITEM 357C) (OPT ITEM 438E)	N,W,A C,AJ, AY,BG	1
-438E	113T1242-51		...RIB- (USED ON ITEM 357C) (OPT ITEM 438D)	N,W,A C,AJ, AY,BG	1
-438F	113T1242-37		...RIB- (OPT ITEMS 438G, 438H, 438J) (USED ON ITEMS 357B, 357D)	G,J,Q ,U,X, AE,AG ,AL,A N,AQ BEAQ	1
-438G	113T1242-45		...RIB- (OPT ITEMS 438F, 438H, 438J) (USED ON ITEMS 357B, 357D)	G,J,Q ,U,X, AE,AG ,AL,A N,AQ BEAQ	1
-438H	113T1242-49		...RIB- (OPT ITEMS 438F, 438G, 438J) (USED ON ITEMS 357B, 357D)	G,J,Q ,U,X, AE,AG ,AL,A N,AQ BEAQ	1
-438J	113T1242-51		...RIB- (OPT ITEMS 438F, 438G, 438H) (USED ON ITEMS 357B, 357D)	G,J,Q ,U,X, AE,AG ,AL,A N,AQ BEAQ	1
-438K	113T1242-69		...RIB- (USED ON ITEM 357E)	BN,BQ	1

57-53-31

ILLUSTRATED PARTS LIST

01.1

Page 1089

Nov 01/03

FIG. & ITEM	PART NO.	AIRLINE PART NUMBER	NOMENCLATURE 1234567	EFF CODE	QTY PER ASSY
03- -441	113T1242-22		...RIB- (USED ON ITEM 360)	K	1
-441A	113T1242-32		DELETED		
-441B	113T1242-38		DELETED		
-441C	113T1242-46		DELETED		
-441D	113T1242-50		...RIB- (USED ON ITEM 360C) (OPT ITEM 441E)	P,Y,A D,AK, AZ,BH	1
-441E	113T1242-52		...RIB- (USED ON ITEM 360C) (OPT ITEM 441D)	P,Y,A D,AK, AZ,BH	1
-441F	113T1242-38		...RIB- (OPT ITEM 441G, 441H, 441J) (USED ON ITEMS 360B, 360D)	L,M,R ,V,Z, AF,AH ,AM,A P,AR BFAR	1
-441G	113T1242-46		...RIB- (OPT ITEM 441F, 441H, 441J) (USED ON ITEMS 360B, 360D)	L,M,R ,U,Z, AF,AH ,AM,A P,AR BFAR	1
-441H	113T1242-50		...RIB- (OPT ITEM 441F, 441G, 441J) (USED ON ITEMS 360B, 360D)	L,M,R ,V,Z, AF,AH ,AM,A P,AR BFAR	1
-441J	113T1242-52		...RIB- (OPT ITEM 441F, 441G, 441H) (USED ON ITEMS 360B, 360D)	L,M,R ,V,Z, AF,AH ,AM,A P,AR BFAR	1
-441K	113T1242-70		...RIB- (USED ON ITEM 360E)	BP,BR	1

57-53-31

 ILLUSTRATED PARTS LIST
 01.1 Page 1090
 Nov 01/03


BOEING
 COMPONENT
 MAINTENANCE MANUAL

FIG. & ITEM	PART NO.	AIRLINE PART NUMBER	NOMENCLATURE 1234567	EFF CODE	QTY PER ASSY
03-444	113T1242-1		...RIB- (OPT ITEMS 444F, 444G, 444H) (USED ON ITEMS 363, 363B, 363C)	G-J,N ,Q,W, X,AC, AE,AG ,AJ AL,AN ,AQ,B E	1
-444A	113T1242-33		...RIB- (OPT ITEMS 444B, 444C)	U	1
-444B	113T1242-41		...RIB- (OPT ITEMS 444A, 444C)	U	1
-444C	113T1242-1		...RIB- (OPT ITEMS 444A, 444B)	U	1
-444D	113T1242-33		DELETED		
-444E	113T1242-41		DELETED		
-444F	113T1242-33		...RIB- (OPT ITEMS 444, 444G, 444H) (USED ON ITEMS 363, 363B, 363C)	G-J,N ,Q,W, X,AC, AE,AG ,AJ AL,AN ,AQ,B E	1
-444G	113T1242-41		...RIB- (OPT ITEMS 444, 444F, 444H) (USED ON ITEMS 363, 363B, 363C)	G-J,N ,Q,W, X,AC, AE,AG ,AJ AL,AN ,AQ,B E	1
-444H	113T1242-61		...RIB- (OPT ITEMS 444, 444F, 444G) (USED ON ITEMS 363, 363B, 363C)	G-J,N ,Q,W, X,AC, AE,AG ,AJ AL,AN ,AQ,B E	1

57-53-31

ILLUSTRATED PARTS LIST

01.1 Page 1090A

Nov 01/03

FIG. & ITEM	PART NO.	AIRLINE PART NUMBER	NOMENCLATURE 1234567	EFF CODE	QTY PER ASSY
03-					
-444J	113T1242-63		...RIB- (USED ON ITEM 363D)	AY	1
-444K	113T1242-67		...RIB- (USED ON ITEM 363E)	BN,BQ	1
-447	113T1242-2		...RIB- (OPT ITEMS 447F, 447G, 447H) (USED ON ITEMS 366, 366B, 366C)	K-M,P ,R,Y, Z,AD, AF,AH ,AK AM,AP ,AR,B F	1
-447A	113T1242-34		...RIB- (OPT ITEMS 447B, 447C)	V	1
-447B	113T1242-42		...RIB- (OPT ITEMS 447A, 447C)	V	1
-447C	113T1242-2		...RIB- (OPT ITEMS 447A, 447B)	V	1
-447D	113T1242-34		DELETED		
-447E	113T1242-42		DELETED		
-447F	113T1242-34		...RIB- (OPT ITEMS 447, 447G, 447H) (USED ON ITEMS 366, 366B, 366C)	K-M,P ,R,Y, Z,AD, AF,AH ,AK AM,AP ,AR,B F	1
-447G	113T1242-42		...RIB- (OPT ITEMS 447, 447F, 447H) (USED ON ITEMS 366, 366B, 366C)	K-M,P ,R,Y, Z,AD, AF,AH ,AK AM,AP ,AR,B F	1
-447H	113T1242-62		...RIB- (OPT ITEMS 447, 447F, 447G) (USED ON ITEMS 366, 366B, 366C)	K-M,P ,R,Y, Z,AD, AF,AH ,AK AM,AP ,AR,B F	1

57-53-31

ILLUSTRATED PARTS LIST

01.1 Page 1090B

Nov 01/03


BOEING
 COMPONENT
 MAINTENANCE MANUAL

FIG. & ITEM	PART NO.	AIRLINE PART NUMBER	NOMENCLATURE 1234567	EFF CODE	QTY PER ASSY
03- -447J	113T1242-64		...RIB- (USED ON ITEM 366D)	AZ,BH	1
-447K	113T1242-68		...RIB- (USED ON ITEM 366E)	BP,BR	1
450	113T1242-3		...RIB- (USED ON ITEM 363)	H	1
-450A	113T1242-29		DELETED		
-450B	113T1242-35		...RIB- (OPT ITEMS 450C, 450D) (USED ON ITEM 363B)	G,J	1
-450C	113T1242-43		...RIB- (OPT ITEMS 450B, 450D) (USED ON ITEM 363B)	G,J	1
-450D	113T1242-3		...RIB- (OPT ITEMS 450B, 450C) (USED ON ITEM 363B)	G,J	1
-450E	113T1242-35		DELETED		
-450F	113T1242-43		DELETED		
-450G	113T1242-53		...RIB- (OPT ITEMS 450H, 450J) (USED ON ITEM 363C)	N,Q,U ,W,X, AC,AE ,AJ,A L,AN AQ,BE	1
-450H	113T1242-55		...RIB- (OPT ITEMS 450G, 450J) (USED ON ITEM 363C)	N,Q,U ,W,X, AC,AE ,AG,A J,AL AN,AQ ,BE	1
-450J	113T1242-57		...RIB- (OPT ITEMS 450G, 450H) (USED ON ITEM 363C)	N,Q,U ,W,X, AC,AE ,AG,A J,AL AN,AQ ,BE	1
-450K	113T1242-55		...RIB- (USED ON ITEM 363D)	AY,BG	1
-450L	113T1242-71		...RIB- (USED ON ITEM 363E)	BN,BQ	1

57-53-31

 ILLUSTRATED PARTS LIST
 01.1 Page 1090C
 Nov 01/03

FIG. & ITEM	PART NO.	AIRLINE PART NUMBER	NOMENCLATURE 1234567	EFF CODE	QTY PER ASSY
03- -453	113T1242-4		...RIB- (USED ON ITEM 366)	K	1
-453A	113T1242-30		DELETED		
-453B	113T1242-46		DELETED		
-453C	113T1242-44		...RIB- (OPT ITEM 453D) (USED ON ITEM 366B)	L,M	1
-453D	113T1242-36		...RIB- (OPT ITEM 453C) (USED ON ITEM 366B)	L,M	1
-453E	113T1242-56		...RIB- (OPT ITEM 453F) (USED ON ITEM 366C)	P,R,V ,Y,Z, AD,AF ,AH,A K,AM AP,AR ,BF	1
-453F	113T1242-58		...RIB- (OPT ITEM 453E) (USED ON ITEM 366C)	P,R,V ,Y,Z, AD,AF ,AH,A K,AM AP,AR ,BF	1
-453G	113T1242-56		...RIB- (USED ON ITEM 366D)	AZ,BH	1
-453H	113T1242-72		...RIB- (USED ON ITEM 366E)	BP,BR	1
456	BACS40R15C149F		..SHIM	G-R, U-Z,A C-AR, AY,AZ ,BE-B H BN-BR	1

57-53-31

 ILLUSTRATED PARTS LIST
 01.1 Page 1090D
 Nov 01/03

BOEING
 COMPONENT
 MAINTENANCE MANUAL

FIG. & ITEM	PART NO.	AIRLINE PART NUMBER	NOMENCLATURE 1234567	EFF CODE	QTY PER ASSY
03-459	BACB28AM06B024		..BUSHING	G-R, U-Z,A C-AR, AY,AZ ,BE-B H BN-BR	1
462	BACB28AP04P024		..BUSHING	G-R, U-Z,A C-AR, AY,AZ ,BE-B H BN-BR	1
465	113T1347-100		..BUSHING	G-R, U-Z,A C-AR, AY,AZ ,BE-B H BN-BR	4
468	113T1347-76		..BUSHING	G-R, U-Z,A C-AR, AY,AZ ,BE-B H BN-BR	4
471	113T1347-73		..BUSHING	G-R, U-Z,A C-AR, AY,AZ ,BE-B H BN-BR	2

57-53-31

ILLUSTRATED PARTS LIST
 01.1 Page 1090E
 Nov 01/03

FIG. & ITEM	PART NO.	AIRLINE PART NUMBER	NOMENCLATURE 1234567	EFF CODE	QTY PER ASSY
03-474	113T1347-74		..BUSHING	G-R, U-Z,A C-AR, AY,AZ ,BE-B H BN-BR	2
477	113T1347-53		..BUSHING	G-R, U-Z,A C-AF, AN,AP	2
-477A	113T1347-121		..BUSHING	AG-AM ,AQ,A R,AY, AZ,B E-BH BN-BR	2
480	113T1347-54		..BUSHING	G-R, U-Z,A C-AF, AN,AP	2
-480A	113T1347-122		..BUSHING	AG-AM ,AQ,A R,AY, AZ,B E-BH BN-BR	2
483	113T1347-64		..SPACER	G-R, U-Z,A C-AR, AY,AZ ,BE-B H BN-BR	4

57-53-31

 ILLUSTRATED PARTS LIST
 01.1 Page 1090F
 Nov 01/03


BOEING
 COMPONENT
 MAINTENANCE MANUAL

FIG. & ITEM	PART NO.	AIRLINE PART NUMBER	NOMENCLATURE 1234567	EFF CODE	QTY PER ASSY
03-486	113T1347-71		..BUSHING	G-R, U-Z,A C-AF, AN,AP	2
-486A	113T1347-123		..BUSHING	AG-AM ,AQ,A R,AY, AZ,B E-BH BN-BR	2
489	113T1347-72		..BUSHING	G-R, U-Z,A C-AF, AN,AP	2
-489A	113T1347-124		..BUSHING	AG-AM ,AQ,A R,AY, AZ,B E-BH BN-BR	2
492	113T1347-63		..SPACER	G-R, U-Z,A C-AR, AY,AZ ,BE-B H BN-BR	4
495	113T1240-20		..BEARING	G-R, U-Z,A C-AR, AY,AZ ,BE-B H BN-BR	2
498 498A	113T1265-10 113T1265-1		DELETED ..FITTING-STOP (OPT ITEM 498C)	G,J,L ,M,X, Z	1

57-53-31

ILLUSTRATED PARTS LIST

01.1 Page 1090G

Nov 01/03

FIG. & ITEM	PART NO.	AIRLINE PART NUMBER	NOMENCLATURE 1234567	EFF CODE	QTY PER ASSY
03- -498B	113T1265-2		..FITTING-STOP (OPT ITEM 498D)	N,P,W ,Y,AN ,AP	1
-498C	113T1582-1		..FITTING-STOP (OPT ITEM 498A)	G,J,L ,X,Z	1
-498D	113T1582-2		..FITTING-STOP (OPT ITEM 498B)	N,P,W ,Y,AN ,AP	1
-498E	113T1265-1		..FITTING-STOP	H,U,V	1
-498F	113T1265-3		..FITTING-STOP (OPT ITEM 498G)	Q,R,A G,AH, BE,BF ,BN,B P,BR	1
-498G	113T1582-5		..FITTING-STOP (OPT ITEM 498F)	Q,R,A G,AH, BE,BF ,BN,B P,BR	1
-498H	113T1265-4		..FITTING-STOP (OPT ITEM 498J)	AC-AF ,AJ-A M,AY, AZ,BR	1
-498J	113T1582-6		..FITTING-STOP (OPT ITEM 498H)	AC-AF ,AJ-A M,AY, AZ,BR	1
-498K	113T1265-3		..FITTING-STOP	AQ,AR	1
-498L	113T1265-4		..FITTING-STOP (OPT ITEMS 498M, 498N)	BG,BH ,BQ	1
-498M	113T1265-6		..FITTING-STOP (OPT ITEMS 498L, 498N)	BG,BH ,BQ	1
-498N	113T1282-6		..FITTING-STOP (OPT ITEMS 498L, 498M)	BG,BH ,BQ	1
501	113T1240-13		..PLATE	G-J,N ,Q,U, W,X,A C,AE, AG,AJ AL,AN ,AQ,A Y,BE, BG	1
-501A	113T1240-13		..PLATE- (OPT ITEM 501B)	BN,BQ	1

57-53-31

ILLUSTRATED PARTS LIST

01.1 Page 1090H

Nov 01/03


BOEING
 COMPONENT
 MAINTENANCE MANUAL

FIG. & ITEM	PART NO.	AIRLINE PART NUMBER	NOMENCLATURE 1234567	EFF CODE	QTY PER ASSY
03- -501B	113T1240-251		..PLATE- (OPT ITEM 501A)	BN,BQ	1
-504	113T1240-14		..PLATE	K-M,P ,R,V, Y,Z,A D,AF, AH,AK AM,AP ,AR,A Z,BF, BH	1
-504A	113T1240-14		..PLATE- (OPT ITEM 504B)	BP,BR	1
-504B	113T1240-252		..PLATE- (OPT ITEM 504A)	BP,BR	1
507 507A	BACS40R11E27F BACS40R011E027F		DELETED ..SHIM	G-R, U-Z,A C-AR, AY,AZ ,BE-B H	1
-507B 510	BACS40R011C032F BACF3F008V010NN		..SHIM ..FILLER	BN-BR G-R, U-Z,A C-AR, AY,AZ ,BE-B H	1 1
513	BACS40R8C10F		..FILLER	BN-BR G-R, U-Z,A C-AR, AY,AZ ,BE-B H	1
516	HL10VAZ6-3		..BOLT- (V60516) (SPEC BACB30MY6K3) (OPT B30MY6K3 (V97928))	BN-BR G-R, U-Z,A C-AR, AY,AZ ,BE-B H BN-BR	10

57-53-31

 ILLUSTRATED PARTS LIST
 01.1 Page 1090I
 Nov 01/03

FIG. & ITEM	PART NO.	AIRLINE PART NUMBER	NOMENCLATURE 1234567	EFF CODE	QTY PER ASSY
03-519	HL10VAZ6-7		..BOLT- (V60516) (SPEC BACB30MY6K7) (OPT B30MY6K7 (V97928))	G-R, U-Z,A C-AR, AY,AZ ,BE-B H BN-BR	2
522	HL79-6		..COLLAR- (V5M902) (SPEC BACC30M6) (OPT HL79-6 (V73197)) (OPT HL79-6 (V92215)) (OPT 66014-6 (V56878)) (OPT HL79-6 (V56878))	G-R, U-Z,A C-AR, AY,AZ ,BE-B H BN-BR	12
525	BACS40R08C09F		..SHIM	G-R, U-Z,A C-AR, AY,AZ ,BE-B H BN-BR	2
528	113T1240-18		..WEB	G-R, U-Z,A C-AR, AY,AZ ,BE-B H BN-BR	1

57-53-31

 ILLUSTRATED PARTS LIST
 01.1 Page 1090J
 Nov 01/03


BOEING
 COMPONENT
 MAINTENANCE MANUAL

FIG. & ITEM	PART NO.	AIRLINE PART NUMBER	NOMENCLATURE 1234567	EFF CODE	QTY PER ASSY
03-531	BACR15BA3AD3		..RIVET	G-R, U-Z,A C-AR, AY,AZ ,BE-B H BN-BR	2
534	BACN10GF12A02C		..NUTPLATE	N,P,U ,V,W, Y,A C-AF, AJ-AR AY,AZ ,BE-B H,B N-BR	1
-534A	BACN10GF12048C		..NUTPLATE	G-M,Q ,R,X, Z,AG, AH	1
537	HL10VAZ6-5		..BOLT- (V60516) (SPEC BACB30MY6K5) (OPT B30MY6K5 (V97928))	G-R, U-Z,A C-AR, AY,AZ ,BE-B H BN-BR	2
540	HL10VAZ6-4		..BOLT- (V60516) (SPEC BACB30MY6K4) (OPT B30MY6K4 (V97928))	G-R, U-Z,A C-AR, AY,AZ ,BE-B H BN-BR	4

57-53-31

ILLUSTRATED PARTS LIST

01.1 Page 1090K

Nov 01/03

FIG. & ITEM	PART NO.	AIRLINE PART NUMBER	NOMENCLATURE 1234567	EFF CODE	QTY PER ASSY
03-543	HL79-6		..COLLAR- (V5M902) (SPEC BACC30M6) (OPT HL79-6 (V73197)) (OPT HL79-6 (V92215)) (OPT 66014-6 (V56878)) (OPT HL79-6 (V56878))	G-R, U-Z,A C-AR, AY,AZ ,BE-B H BN-BR	6
546	113T1240-27		..CLIP	G-R,U ,V,A C-AR, AY,AZ ,BE-B H BN-BR	1
-546A	113T1240-120		..CLIP	BN-BR	1
549	113T1240-10		..CLIP	G-R, U-Z,A C-AR, AY,AZ ,BE-B H BN-BR	1
552	BACF3F011V012NN		..FILLER	G-R, U-Z,A C-AR, AY,AZ ,BE-B H	1

57-53-31

 ILLUSTRATED PARTS LIST
 01.1 Page 1090L
 Nov 01/03


BOEING
 COMPONENT
 MAINTENANCE MANUAL

FIG. & ITEM	PART NO.	AIRLINE PART NUMBER	NOMENCLATURE 1234567	EFF CODE	QTY PER ASSY
03- 555	BACS40R11C12F		..SHIM	BN-BR G-R, U-Z,A C-AR, AY,AZ ,BE-B H	1
558	HL10VAZ6-5		..BOLT- (V60516) (SPEC BACB30MY6K5) (OPT B30MY6K5 (V97928))	BN-BR G-R, U-Z,A C-AR, AY,AZ ,BE-B H	6
561	HL10VAZ6-4		..BOLT- (V60516) (SPEC BACB30MY6K4) (OPT B30MY6K4 (V97928))	BN-BR G-R, U-Z,A C-AR, AY,AZ ,BE-B H	6
564	L8006K6		..BOLT- (V06725) (SPEC BACB30MY6K6) (OPT HL10VAZ6-6 (VOPTK6))	BN-BR G-R,U ,V,A C-AR, AY,AZ ,BE-B H	6
567	HL10VAZ6-7		..BOLT- (V60516) (SPEC BACB30MY6K7) (OPT B30MY6K7 (V97928))	BN-BR G-R, U-Z,A C-AR, AY,AZ ,BE-B H BN-BR	10

57-53-31

ILLUSTRATED PARTS LIST

01.1 Page 1090M

Nov 01/03

FIG. & ITEM	PART NO.	AIRLINE PART NUMBER	NOMENCLATURE 1234567	EFF CODE	QTY PER ASSY
03-570	HL79-6		..COLLAR- (V5M902) (SPEC BACC30M6) (OPT HL79-6 (V73197)) (OPT HL79-6 (V92215)) (OPT 66014-6 (V56878)) (OPT HL79-6 (V56878))	G-R, U-Z,A C-AR, AY,AZ ,BE-B H BN-BR	28
573	113T1240-31		..WEB	G-R, U-Z,A C-AR, AY,AZ ,BE-B H BN-BR	1
-573A	113T1240-122		..WEB	BN-BR	1
576	113T1240-17		..SPACER	G-R, U-Z,A C-AR, AY,AZ ,BE-B R	1
-576A	113T1240-17		..SPACER- (OPT ITEM 576B)	BE-BH ,BN-B R	1
-576B	113T1240-261		..SPACER- (OPT ITEM 576A)	BE-BH ,BN-B R	1
579	BACS40R15C15F		..SHIM	G-R, U-Z,A C-AR, AY,AZ ,BE-B H BN-BR	2

57-53-31

 ILLUSTRATED PARTS LIST
 01.1 Page 1090N
 Nov 01/03

BOEING
 COMPONENT
 MAINTENANCE MANUAL

FIG. & ITEM	PART NO.	AIRLINE PART NUMBER	NOMENCLATURE 1234567	EFF CODE	QTY PER ASSY
03-582	113T1240-11		..WEB	G-R,A C-AR, AY,AZ ,BE-B H BN-BR	1
-582A	113T1240-41		DELETED		
-582B	113T1240-81		..WEB	U-Z	1
585	MS15001-1		..FITTING	G-R, U-Z,A C-AR, AY,AZ ,BE-B H BN-BR	4
588	HL10VAZ8-5		..BOLT- (V60516) (SPEC BACB30MY8K5) (OPT B30MY8K5 (V97928))	G-R, U-Z,A C-AR, AY,AZ ,BE-B H BN-BR	3
591	HL79-8		..COLLAR- (V5M902) (SPEC BACC30M8) (OPT HL79-8 (V73197)) (OPT HL79-8 (V92215)) (OPT 66014-8 (V56878)) (OPT HL79-8 (V56878))	G-R, U-Z,A C-AR, AY,AZ ,BE-B H BN-BR	3

57-53-31

ILLUSTRATED PARTS LIST
 01.1 Page 10900
 Nov 01/03

FIG. & ITEM	PART NO.	AIRLINE PART NUMBER	NOMENCLATURE 1234567	EFF CODE	QTY PER ASSY
03-594	BACS40R12C103F		..SHIM	G-R, U-Z,A C-AR, AY,AZ ,BE-B H BN-BR H,U	1
597	113T1243-1		..BULKHEAD- (OPT ITEMS 597D)		1
-597A	113T1243-3		..BULKHEAD- (OPT ITEMS 597B, 597C)	G,J,N ,Q,W, X,AC, AE,AG ,AJ AL,AN ,AQ,A Y	1
-597B	113T1581-1		..BULKHEAD- (OPT ITEMS 597A, 597C)	G,J,N ,Q,W, X,AC, AE,AG ,AJ AL,AN ,AQ,A Y	1

57-53-31

 ILLUSTRATED PARTS LIST
 01.1 Page 1090P
 Nov 01/03


BOEING
 COMPONENT
 MAINTENANCE MANUAL

FIG. & ITEM	PART NO.	AIRLINE PART NUMBER	NOMENCLATURE 1234567	EFF CODE	QTY PER ASSY
03-597C	113T1243-1		..BULKHEAD- (OPT ITEMS 597A, 597B)	G, J, N , Q, W , X, AC , AE, AG , AJ , AL, AN , AQ, A Y	1
597D	113T1243-3		..BULKHEAD- (OPT ITEMS 597)	H, U	1
-597E	113T1581-1		..BULKHEAD- (OPT ITEMS 597F, 597G, 597H)	BE, BG , BN, B Q	1
-597F	113T1243-1		..BULKHEAD- (OPT ITEMS 597E, 597G, 597H)	BE, BG , BN, B Q	1
-597G	113T1243-3		..BULKHEAD- (OPT ITEMS 597E, 597F, 597H)	BE, BG , BN, B Q	1
-597H	113T1581-5		..BULKHEAD-HOGOUT (OPT ITEMS 597E, 597F, 597G)	BE, BG , BN, B Q	1

57-53-31

ILLUSTRATED PARTS LIST

01.1 Page 1090Q

Nov 01/03

FIG. & ITEM	PART NO.	AIRLINE PART NUMBER	NOMENCLATURE 1234567	EFF CODE	QTY PER ASSY
03- -600	113T1243-2		..BULKHEAD- (REPLD BY ITEM 600A)	K	1
-600A	113T1243-4		..BULKHEAD- (REPLS ITEM 600)	K	1
-600B	113T1243-2		DELETED		
-600C	113T1243-4		..BULKHEAD- (OPT ITEMS 600D, 600E)	L,M,P ,R,Y, Z,AD, AF,AH ,AK AM,AP ,AR,A Z	1
-600D	113T1243-2		..BULKHEAD- (OPT ITEMS 600C, 600E)	L,M,P ,R,Y, Z,AD, AF,AH ,AK AM,AP ,AR,A Z	1
-600E	113T1581-2		..BULKHEAD- (OPT ITEMS 600C, 600D)	L,M,P ,R,Y, Z,AD, AF,AH ,AK AM,AP ,AR,A Z	1
-600F	113T1243-4		..BULKHEAD- (OPT ITEM 600G)	V	1
-600G	113T1243-2		..BULKHEAD- (OPT ITEM 600F)	V	1
-600H	113T1581-2		..BULKHEAD- (OPT ITEMS 600J, 600K, 600L)	BF,BH ,BP,B R	1
-600J	113T1243-4		..BULKHEAD- (OPT ITEMS 600H, 600K, 600L)	BF,BH ,BP,B R	1
-600K	113T1243-2		..BULKHEAD- (OPT ITEMS 600H, 600J, 600L)	BF,BH ,BP,B R	1
-600L	113T1581-6		..BULKHEAD- (OPT ITEMS 600H, 600J, 600K)	BF,BH ,BP,B R	1

57-53-31

 ILLUSTRATED PARTS LIST
 01.1 Page 1090R
 Nov 01/03


BOEING
 COMPONENT
 MAINTENANCE MANUAL

FIG. & ITEM	PART NO.	AIRLINE PART NUMBER	NOMENCLATURE 1234567	EFF CODE	QTY PER ASSY
03-					
-603	113T2000-59		DELETED		
603A	113T2000-41		.ARM INSTL-DRIVE	G-J,Q ,X,AG	1
-603B	113T2000-77		.ARM INSTL-DRIVE (FOR DETAILS SEE FIG. 4)	N,W,A C,AJ, AY,BG ,BQ	1
-603C	113T2000-91		.ARM INSTL-DRIVE (VARIABLE) (FOR DETAILS SEE FIG. 4)	U,AE, AL,AN	1
-603D	113T2000-177		.ARM INSTL-DRIVE (FOR DETAILS SEE FIG. 4)	AQ,BE ,BN	1
-606	113T2000-60		DELETED		
-606A	113T2000-42		.ARM INSTL-DRIVE	K-M,R ,Z,AH	1
-606B	113T2000-78		.ARM INSTL-DRIVE (FOR DETAILS SEE FIG. 4)	P,Y,A D,AK, AZ,BH ,BR	1
-606C	113T2000-92		.ARM INSTL-DRIVE (VARIABLE) (FOR DETAILS SEE FIG. 4)	V,AF, AM,AP	1
-606D	113T2000-178		.ARM INSTL-DRIVE (FOR DETAILS SEE FIG. 4)	AR,BF ,BP	1
-607	113T2000-5013		..ARM INSTL-DRIVE (REPLS ITEM 607A) (FOR DETAILS SEE FIG. 4)	G-J,Q ,X,AG	1
-607A	113T2000-5015		..ARM INSTL-DRIVE (REPLD BY ITEM 607) (FOR DETAILS SEE FIG. 4)	G-J,Q ,X,AG	1
-608	113T2000-5014		..ARM INSTL-DRIVE (REPLS ITEM 608A) (FOR DETAILS SEE FIG. 4)	K-M,R ,Z,AH	1

57-53-31

 ILLUSTRATED PARTS LIST
 01.1 Page 1090S
 Nov 01/03

FIG. & ITEM	PART NO.	AIRLINE PART NUMBER	NOMENCLATURE 1234567	EFF CODE	QTY PER ASSY
03- -608A	113T2000-5016		..ARM INSTL-DRIVE (REPLD BY ITEM 608) (FOR DETAILS SEE FIG. 4)	K-M,R ,Z,AH	1
609	113T1254-5		DELETED		
612	65B19247-1		DELETED		
615	113T1228-1		DELETED		
-618	113T1228-2		DELETED		
621	BACB30MR6K28		DELETED		
624	BACB30MR6K30		DELETED		
627	BACB30NN6K27		DELETED		
-627A	BACB30LR6-27		DELETED		
630	BACW10BP6AC		DELETED		
633	BACW10BP6AP		DELETED		
636	NAS1805-6		DELETED		
639	113T1261-1		DELETED		
-642	113T1261-2		DELETED		
645	113T1261-11		DELETED		
-648	113T1261-12		DELETED		
651	113T1261-7		DELETED		
-654	113T1261-8		DELETED		
657	MS15001-1		DELETED		
660	113T1347-67		DELETED		
663	113T1256-29		DELETED		
-663A	113T1256-46		DELETED		
666	B8942CL		DELETED		
669	BACB30MR7K29		DELETED		
672	BACB30NN7K29		DELETED		
-672A	BACB30LR7-29		DELETED		
675	BACW10BP7AC		DELETED		
678	BACW10BP7AP		DELETED		
681	NAS1805-7		DELETED		
684	113T1261-15		DELETED		
-687	113T1261-16		DELETED		
690	MS15001-1		DELETED		
693	113T1261-17		DELETED		
-696	113T1261-18		DELETED		
699	113T1251-1		DELETED		
-702	113T1251-2		DELETED		
705	113T1361-3		DELETED		
708	113T1256-29		DELETED		
-708A	113T1256-46		DELETED		
711	B8942CL		DELETED		
714	113T1227-1		DELETED		
-714A	113T1227-3		DELETED		

57-53-31

 ILLUSTRATED PARTS LIST
 01.1 Page 1090T
 Nov 01/03

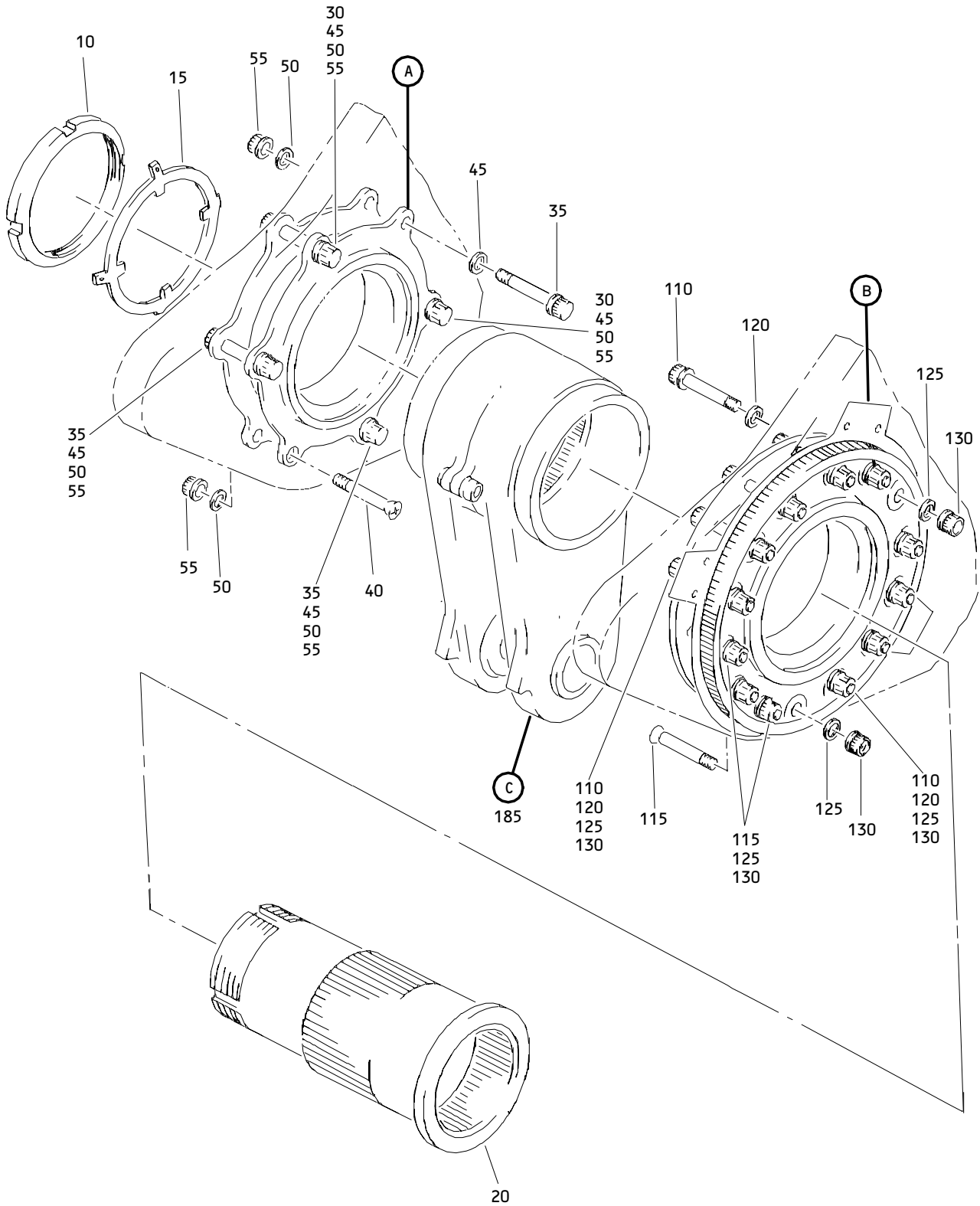

BOEING
 COMPONENT
 MAINTENANCE MANUAL

FIG. & ITEM	PART NO.	AIRLINE PART NUMBER	NOMENCLATURE 1234567	EFF CODE	QTY PER ASSY
03-					
-714B	113T1227-1		DELETED		
-717	113T1227-2		DELETED		
-717A	113T1227-4		DELETED		
-717B	113T1227-2		DELETED		
720	HL448UC8-12		DELETED		
723	BACC30Z8PB		DELETED		
723A	HL1187-8		DELETED		
726	113T1347-51		DELETED		
729	113T1347-52		DELETED		
732	113T1347-66		DELETED		
735	113T1227-5		DELETED		
-735A	113T1227-9		DELETED		
-738	113T1227-6		DELETED		
-738A	113T1227-10		DELETED		
741	113T1227-7		DELETED		
-741A	113T1227-11		DELETED		
-744	113T1227-8		DELETED		
-744A	113T1227-12		DELETED		

- Item Not Illustrated

57-53-31

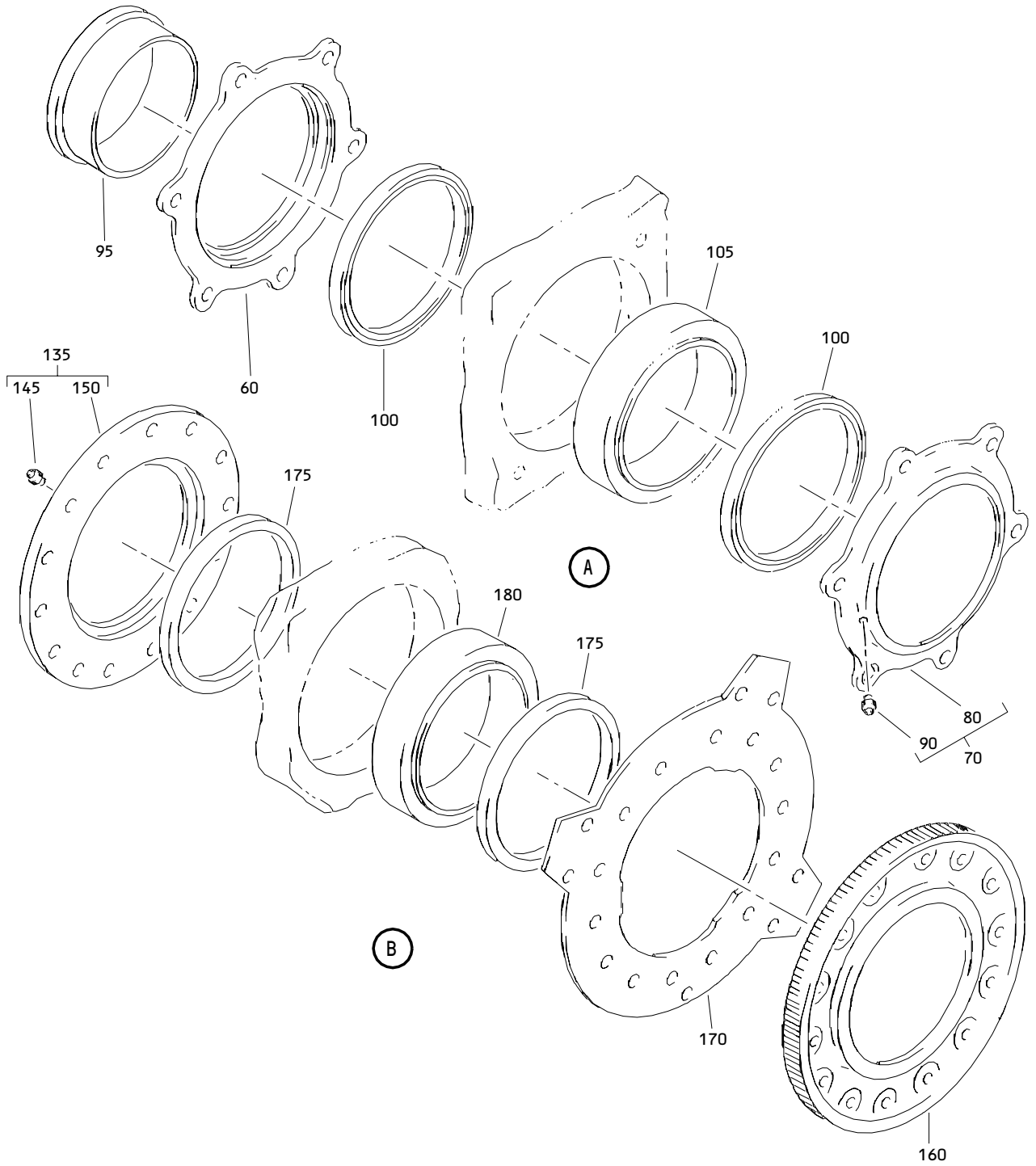
ILLUSTRATED PARTS LIST
 01.1 Page 1090U
 Nov 01/03



Drive Arm Installation
 Figure 4 (Sheet 1)

57-53-31

ILLUSTRATED PARTS LIST
 01.1 Page 1090V
 Nov 01/03

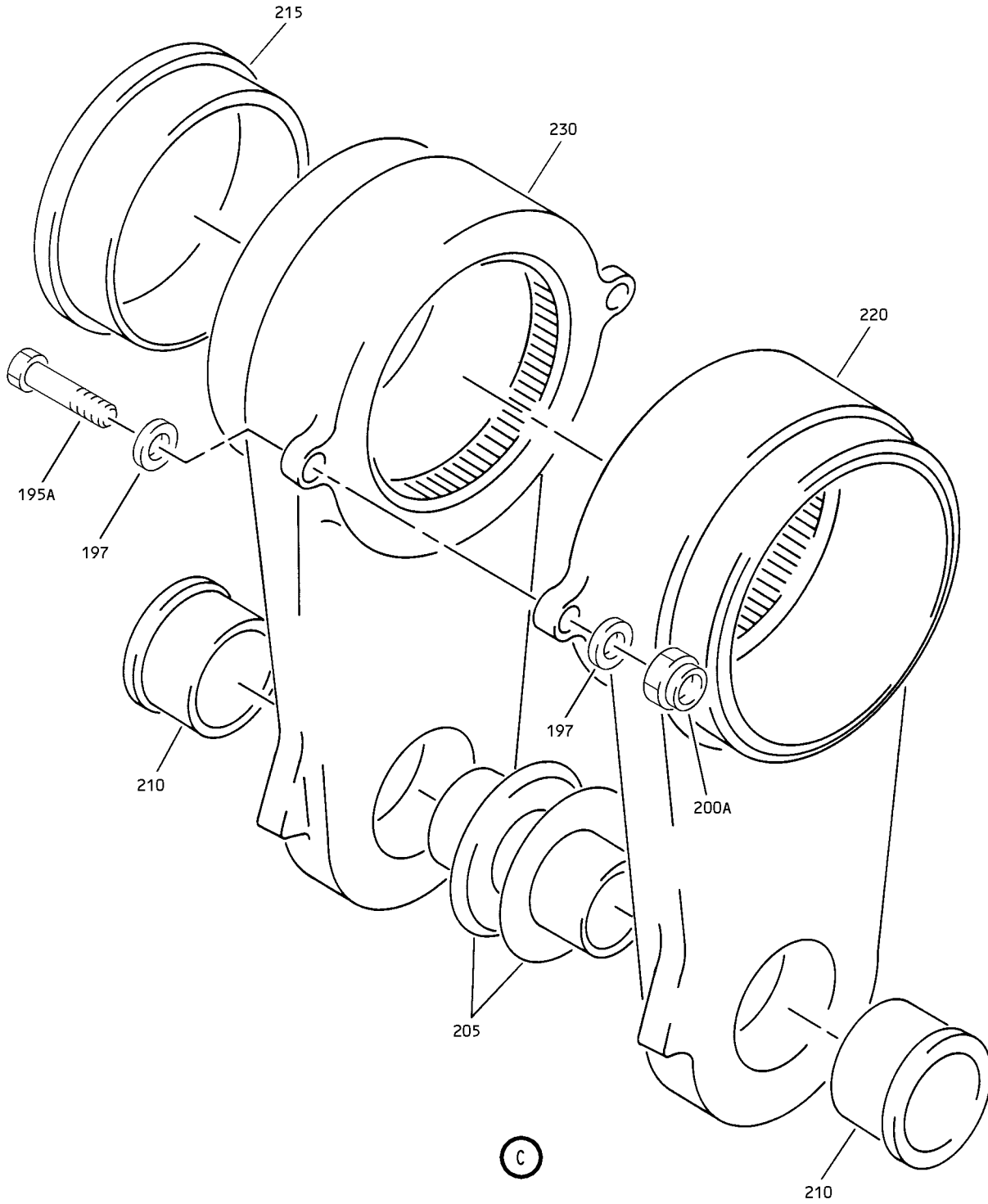


Drive Arm Installation
Figure 4 (Sheet 2)

57-53-31

ILLUSTRATED PARTS LIST
01.1 Page 1090W
Nov 01/03

U14707



Drive Arm Installation
Figure 4 (Sheet 3)

57-53-31
ILLUSTRATED PARTS LIST
01.1 Page 1090X
Nov 01/03


BOEING
 COMPONENT
 MAINTENANCE MANUAL

FIG. & ITEM	PART NO.	AIRLINE PART NUMBER	NOMENCLATURE 1234567	EFF CODE	QTY PER ASSY
04- -1	113T2000-5013		ARM INSTL-DRIVE	G-J,Q ,X,AG	RF
-1A	113T2000-5015		ARM INSTL-DRIVE	G-J,Q ,X,AG	RF
-1B	113T2000-77		ARM INSTL-DRIVE	N,W,A C,AJ, AY,BG ,BQ	RF
-1C	113T2000-91		ARM INSTL-DRIVE (VARIABLE)	U,AE, AL,AN	RF
-1D	113T2000-177		ARM INSTL-DRIVE	AQ,BE ,BN	RF
-5	113T2000-5014		ARM INSTL-DRIVE	K-M,R ,Z,AH	RF
-5A	113T2000-5016		ARM INSTL-DRIVE	K-M,R ,Z,AH	RF
-5B	113T2000-78		ARM INSTL-DRIVE	P,Y,A D,AK, AZ,BH ,BR	RF
-5C	113T2000-92		ARM INSTL-DRIVE (VARIABLE)	V,AF, AM,AP	RF
-5D	113T2000-178		ARM INSTL-DRIVE	AR,BF ,BP	RF
10	65B19247-1		.NUT	G-R, U-Z,A C-AR, AY,AZ ,BE-B H BN-BR	1
15	113T1254-5		.WASHER	G-R, U-Z,A C-AR, AY,AZ ,BE-B H BN-BR	1

57-53-31

ILLUSTRATED PARTS LIST

01.1 Page 1090Y

Nov 01/03

FIG. & ITEM	PART NO.	AIRLINE PART NUMBER	NOMENCLATURE 1234567	EFF CODE	QTY PER ASSY
04-20	113T1228-1		.SHAFT	G-J,N ,Q,U, W,X,A C,AE, AG,AJ AL,AN ,AQ,A Y,BE, BG,BN ,BQ	1
-25	113T1228-2		.SHAFT	K-M,P ,R,V, Y,Z,A D,AF, AH,AK AM,AP ,AR,A Z,BF, BH,BP ,BR	1
30	BACB30MR6K28		.BOLT	G-R, U-Z,A C-AR, AY,AZ ,BE-B H BN-BR	2
35	BACB30MR6K30		.BOLT	G-R, U-Z,A C-AR, AY,AZ ,BE-B H BN-BR	3

57-53-31

 ILLUSTRATED PARTS LIST
 01.1 Page 1090Z
 Nov 01/03

BOEING
 COMPONENT
 MAINTENANCE MANUAL

FIG. & ITEM	PART NO.	AIRLINE PART NUMBER	NOMENCLATURE 1234567	EFF CODE	QTY PER ASSY
04-40	BACB30NN6K27		.BOLT- (OPT ITEM 40A)	G-R, U-Z,A C-AR, AY,AZ ,BE-B H BN-BR	1
-40A	BACB30LR6-27		.BOLT- (OPT ITEM 40)	G-R, U-Z,A C-AR, AY,AZ ,BE-B H BN-BR	1
45	BACW10BP6AC		.WASHER	G-R, U-Z,A C-AR, AY,AZ ,BE-B H BN-BR	5
50	BACW10BP6AP		.WASHER	G-R, U-Z,A C-AR, AY,AZ ,BE-B H BN-BR	6
55	NAS1805-6		.NUT	G-R, U-Z,A C-AR, AY,AZ ,BE-B H BN-BR	6

57-53-31

ILLUSTRATED PARTS LIST

01.1

Page 1091

Nov 01/03

FIG. & ITEM	PART NO.	AIRLINE PART NUMBER	NOMENCLATURE 1234567	EFF CODE	QTY PER ASSY
04-60	113T1261-1		.RETAINER-BRG (OPT ITEM 60A)	G-J,N ,Q,U, W,X,A C,AE, AG,AJ AL,AN ,AQ,A Y,BE, BG,BN ,BQ	1
-60A	113T1283-3		.RETAINER-BRG (OPT ITEM 60)	G-J,N ,Q,U, W,X,A C,AE, AG,AJ AL,AN ,AQ,A Y,BE, BG,BN ,BQ	1
-65	113T1261-2		.RETAINER-BRG (OPT ITEM 65A)	K-M,P ,R,V, Y,Z,A D,AF, AH,AK AM,AP ,AR,A Z,BF, BH,BP ,BR	1

57-53-31

 ILLUSTRATED PARTS LIST
 01.1 Page 1092
 Nov 01/03

BOEING
 COMPONENT
 MAINTENANCE MANUAL

FIG. & ITEM	PART NO.	AIRLINE PART NUMBER	NOMENCLATURE 1234567	EFF CODE	QTY PER ASSY
04- -65A	113T1283-4		.RETAINER-BRG (OPT ITEM 65)	K-M,P ,R,V, Y,Z,A D,AF, AH,AK AM,AP ,AR,A Z,BF, BH,BP ,BR	1
70	113T1261-11		.RETAINER ASSY-BRG (OPT ITEM 70A)	G-J,N ,Q,U, W,X,A C,AE, AG,AJ AL,AN ,AQ,A Y,BE, BG,BN ,BQ	1
-70A	113T1283-1		.RETAINER ASSY-BRG (OPT ITEM 70)	G-J,N ,Q,U, W,X,A C,AE, AG,AJ AL,AN ,AQ,A Y,BE, BG,BN ,BQ	1

57-53-31

ILLUSTRATED PARTS LIST
 01.1 Page 1092A
 Nov 01/03

FIG. & ITEM	PART NO.	AIRLINE PART NUMBER	NOMENCLATURE 1234567	EFF CODE	QTY PER ASSY
04- -75	113T1261-12		.RETAINER ASSY-BRG (OPT ITEM 75A)	K-M,P ,R,V, Y,Z,A D,AF, AH,AK AM,AP AR,AZ BF,BH BP,BR	1
-75A	113T1283-2		.RETAINER ASSY-BRG (OPT ITEM 75)	K-M,P ,R,V, Y,Z, AD,AF AH,AK AM,AP AR,AZ BF,BH BP,B4	1
80	113T1261-7		..RETAINER	G-J,N ,Q,U, W,X,A C,AE, AG,AJ AL,AN ,AQ,A Y,BE, BG,BN ,BQ	1
-85	113T1261-8		..RETAINER	K-M,P ,R,V, Y,Z,A D,AF, AH,AK AM,AP ,AR,A Z,BF, BH,BP ,BR	1

57-53-31

ILLUSTRATED PARTS LIST

01.1 Page 1092B

Nov 01/03


BOEING
 COMPONENT
 MAINTENANCE MANUAL

FIG. & ITEM	PART NO.	AIRLINE PART NUMBER	NOMENCLATURE 1234567	EFF CODE	QTY PER ASSY
04-90	MS15001-1		..FITTING	G-R, U-Z,A C-AR, AY,AZ ,BE-B H BN-BR	1
95	113T1347-67		.BUSHING	G-R, U-Z,A C-AR, AY,AZ ,BE-B H BN-BR	1
100	113T1256-29		.SEAL	G-R, U-Z,A C-AR, AY,AZ ,BE-B H BN-BR	2
-100A 105	113T1256-46 B8942CL		DELETED .BEARING- (V60380) (SPEC 60B00178-24)	G-R, U-Z,A C-AR, AY,AZ ,BE-B H BN-BR	1
-105A	SB1136		.BEARING- (V92563) (SPEC 60B00178-24)	G-R, U-Z,A C-AR, AY,AZ ,BE-B H BN-BR	1

57-53-31

ILLUSTRATED PARTS LIST

01.1 Page 1092C

Nov 01/03

FIG. & ITEM	PART NO.	AIRLINE PART NUMBER	NOMENCLATURE 1234567	EFF CODE	QTY PER ASSY
04-110	BACB30MR7K29		.BOLT	G-R, U-Z,A C-AR, AY,AZ ,BE-B H BN-BR	10
115	BACB30NN7K29		.BOLT- (OPT ITEM 115A)	G-R, U-Z,A C-AR, AY,AZ ,BE-B H BN-BR	4
-115A	BACB30LR7-29		.BOLT- (OPT ITEM 115)	G-R, U-Z,A C-AR, AY,AZ ,BE-B H BN-BR	4
120	BACW10BP7AC		.WASHER	G-R, U-Z,A C-AR, AY,AZ ,BE-B H BN-BR	10
125	BACW10BP7AP		.WASHER	G-R, U-Z,A C-AR, AY,AZ ,BE-B H BN-BR	14

57-53-31

 ILLUSTRATED PARTS LIST
 01.1 Page 1092D
 Nov 01/03

BOEING
 COMPONENT
 MAINTENANCE MANUAL

FIG. & ITEM	PART NO.	AIRLINE PART NUMBER	NOMENCLATURE 1234567	EFF CODE	QTY PER ASSY
04-130	NAS1805-7		.NUT	G-R, U-Z,A C-AR, AY,AZ ,BE-B H BN-BR	14
135	113T1261-15		.RETAINER ASSY-BRG	G-J,N ,Q,U, W,X,A C,AE, AG,AJ AL,AN ,AQ,A Y,BE, BG,B N-BQ	1
-140	113T1261-16		.RETAINER ASSY-BRG	K-M,P ,R,V, Y,Z,A D,AF, AH,AK AM,AP ,AR,A Z,BF, BH,BP ,BR	1
145	MS15001-1		..FITTING	G-R, U-Z,A C-AR, AY,AZ ,BE-B H BN-BR	1
150	113T1261-17		..RETAINER	G-J,N ,Q,U, W,X,A C,AE, AG,AJ AL,AN ,AQ,A Y,BE, BG,BN ,BQ	1

57-53-31

ILLUSTRATED PARTS LIST
 01.1 Page 1092E
 Nov 01/03

FIG. & ITEM	PART NO.	AIRLINE PART NUMBER	NOMENCLATURE 1234567	EFF CODE	QTY PER ASSY
04- -155	113T1261-18		. .RETAINER	K-M,P ,R,V, Y,Z,A D,AF, AH,AK AM,AP ,AR,A Z,BF, BH,BP ,BR	1
160	113T1251-1		.RING-REACTION	G-J,Q ,U,X, AE,AG ,AL,A N	1
-160A	113T1251-1		.RING-REACTION (OPT ITEM 160B)	N,W,A C,AJ, AQ,AY ,BE,B G,BN BQBN	1
-160B	113T1251-7		.RING-REACTION (OPT ITEM 160A)	N,W,A C,AJ, AQ,AY ,BE,B G,BN BQBN	1
-165	113T1251-2		.RING-REACTION	K-M,R ,V,Z, AF,AH ,AM,A P	1
-165A	113T1251-2		.RING-REACTION (OPT ITEM 165B)	P,Y,A D,AK, AR,AZ ,BF,B H,BP BRBP	1
-165B	113T1251-8		.RING-REACTION (OPT ITEM 165A)	P,Y,A D,AK, AR,AZ ,BF,B H,BP BRBP	1

57-53-31

 ILLUSTRATED PARTS LIST
 01.1 Page 1092F
 Nov 01/03


BOEING
 COMPONENT
 MAINTENANCE MANUAL

FIG. & ITEM	PART NO.	AIRLINE PART NUMBER	NOMENCLATURE 1234567	EFF CODE	QTY PER ASSY
04-170	113T1361-3		.SHIM	G-M,Q ,R, U-Z,A E-AH, AL-AP AR-AP	1
-170A	113T1361-3		.SHIM- (OPT ITEM 170B)	N-P,W ,Y,AC ,AD,A J,AK, AQ,AY AZ,BY E-BH, BN-BR	1
-170B	113T1361-13		.SHIM- (OPT ITEM 170A)	N-P,W ,Y,AC ,AD,A J,AK, AQ,AY AZ,BY E-BH, BN-BR	1
175	113T1256-29		.SEAL	G-R, U-Z,A C-AR, AY,AZ ,BE-B H BN-BR	2
-175A	113T1256-46		DELETED		

57-53-31

ILLUSTRATED PARTS LIST

01.1 Page 1092G

Nov 01/03

FIG. & ITEM	PART NO.	AIRLINE PART NUMBER	NOMENCLATURE 1234567	EFF CODE	QTY PER ASSY
04-180	B8942CL		.BEARING- (V60380) (SPEC 60B00178-24)	G-R, U-Z,A C-AR, AY,AZ ,BE-B H BN-BR	1
-180A	SB1135		.BEARING- (V92563) (SPEC 60B00178-24)	G-R, U-Z,A C-AR, AY,AZ ,BE-B H BN-BR	1
185	113T1227-1		.ARM ASSY-4/5 (OPT ITEM 185A) (USED ON ITEM 1A) (PRE SB 767-27-0080)	G-J,Q ,X,AG	1
-185A	113T1227-3		.ARM ASSY-4/5 (OPT ITEM 185) (USED ON ITEM 1A)	G-J,Q ,X,AG	1
-185B	113T1227-1		.ARM ASSY-4/5 (USED ON ITEM 1) (PRE SB 767-27-0080)	G-J,Q ,X,AG	1
-185C	113T1227-13		.ARM ASSY-4/5	N,W,A C,AJ, AY,BG ,BQ	1
-185D	113T1227-19		.ARM ASSY-4/5 (VARIABLE) (PRE SB 767-27-0080)	U,AE, AL,AN	1
-185E	113T1227-13		.ARM ASSY-4/5 (POST SB 767-27-0080)	G-J,Q ,U,X, AE,AG ,AL,A N	1
-185F	113T1227-1		.ARM ASSY-4/5	AQ,BE ,BN	1

57-53-31

 ILLUSTRATED PARTS LIST
 01.1 Page 1092H
 Nov 01/03


BOEING
 COMPONENT
 MAINTENANCE MANUAL

FIG. & ITEM	PART NO.	AIRLINE PART NUMBER	NOMENCLATURE 1234567	EFF CODE	QTY PER ASSY
04- -190	113T1227-2		.ARM ASSY-4/5 (OPT ITEM 190A) (USED ON ITEM 5A) (PRE SB 767-27-0080)	K-M,R ,Z,AH	1
-190A	113T1227-4		.ARM ASSY-4/5 (OPT ITEM 190) (USED ON ITEM 5A)	K-M,R ,Z,AH	1
-190B	113T1227-2		.ARM ASSY-4/5 (USED ON ITEM 5) (PRE SB 767-27-0080)	K-M,R ,Z,AH	1
-190C	113T1227-14		.ARM ASSY-4/5	P,Y,A D,AK, AZ,BH ,BR	1
-190D	113T1227-20		.ARM ASSY-4/5 (VARIABLE) (PRE SB 767-27-0080)	V,AF, AM,AP	1
-190E	113T1227-14		.ARM ASSY-4/5 (POST SB 767-27-0080)	K-M,R ,V,Z, AF,AH ,AM,A P	1
-190F	113T1227-2		.ARM ASSY-4/5	AR,BF ,BP	1
R 195	HL448UC8-12		DELETED		
195A	BACB30NR4K12		..BOLT	G-R, U-Z,A C-AR, AY,AZ ,BE-B H BN-BR	2

57-53-31

ILLUSTRATED PARTS LIST

01.1 Page 1092I

Nov 01/03

FIG. & ITEM	PART NO.	AIRLINE PART NUMBER	NOMENCLATURE 1234567	EFF CODE	QTY PER ASSY
R 04-197	BACW10BP4AP		..WASHER	G-R, U-Z,A C-AR, AY,AZ ,BE-B H BN-BR	4
R 200 200A	HL1187-8 BRH10A4		DELETED ..NUT- (V52828) (SPEC BACN10JC4) (OPT T6S428J (V11815)) (OPT 96-048 (V80539)) (OPT VN303A048 (V92215)) (OPT RMLH9075-4W (V72962)) (OPT NS202101-048 (V80539)) (OPT H10-4BAC (V15653)) (USED ON ITEM 185, 185A, 185B, 185F, 190, 190A, 190B, 190F)	G-M,Q ,R,X, AG,AH ,AQ,A R BE,BF ,BN,B P	2
R -200B	BRH10C4D		..NUT- (V52828) (SPEC BACN10JC4CD) (OPT T6C428JCD (V11815)) (OPT NS202486-048 (V80539)) (OPT 102LH9075-4W (V72962)) (OPT H51650-4BAC (V15653)) (USED ON ITEM 185C, 185D, 185E, 190C, 190D, 190E)	G-R, U-Z,A C-AP, AY,AZ ,BG BH,BQ ,BR	2

57-53-31

 ILLUSTRATED PARTS LIST
 01.1 Page 1092J
 Nov 01/03


BOEING
 COMPONENT
 MAINTENANCE MANUAL

FIG. & ITEM	PART NO.	AIRLINE PART NUMBER	NOMENCLATURE 1234567	EFF CODE	QTY PER ASSY
04-205	113T1347-51		..BUSHING	G-R, U-Z,A C-AR, AY,AZ ,BE-B H BN-BR	2
210	113T1347-52		..BUSHING	G-R, U-Z,A C-AR, AY,AZ ,BE-B H BN-BR	2
215	113T1347-66		..BUSHING	G-R, U-Z,A C-AR, AY,AZ ,BE-B H BN-BR	1
220	113T1227-5		..FITTING- (USED ON ITEMS 185, 185B, 185F)	G-J,Q ,U,X, AG,AQ ,BE,B N	1
-220A	113T1227-9		..FITTING- (USED ON ITEM 185A)	G-J,Q ,X,AG	1
-220B	113T1227-15		..FITTING- (OPT ITEM 220C) (USED ON ITEMS 185C, 185E)	G-J,N ,Q,U, W,X,A C,AE, AG,AJ AL,AN ,AY,B G,BQ	1
-220C	113T1227-21		..FITTING- (OPT ITEM 220B) (USED ON ITEMS 185C, 185E)	G-J,N ,Q,U, W,X,A C,AE, AG,AJ AL,AN ,AY,B G,BQ	1

57-53-31

ILLUSTRATED PARTS LIST

01.1 Page 1092K

Nov 01/03

FIG. & ITEM	PART NO.	AIRLINE PART NUMBER	NOMENCLATURE 1234567	EFF CODE	QTY PER ASSY
04- -225	113T1227-6		..FITTING- (USED ON ITEMS 190, 190B, 190F)	K-M,R ,V,Z, AH,AR ,BF	1
-225A	113T1227-10		..FITTING- (USED ON ITEM 190A)	K-M,R ,Z,AH	1
-225B	113T1227-16		..FITTING- (OPT ITEM 225C) (USED ON ITEMS 190C, 190E)	K-M,P ,R,V, Y,Z,A D,AF, AH,AK AM,AP ,AZ,B H,BR	1
-225C	113T1227-22		..FITTING- (OPT ITEM 225B) (USED ON ITEMS 190C, 190E)	K-M,P ,R,V, Y,Z,A D,AF, AH,AK AM,AP ,AZ,B H,BR	1
230	113T1227-7		..FITTING- (USED ON ITEMS 185, 185B, 185F)	G-J,Q ,U,X, AG,AQ ,BE,B N	1
-230A	113T1227-11		..FITTING- (USED ON ITEM 185A)	G-J,Q ,X,AG	1
-230B	113T1227-17		..FITTING- (OPT ITEM 230C) (USED ON ITEMS 185C, 185E)	G-J,N ,Q,U, W,X,A C,AE, AG,AJ AL,AN ,AY,B G,BQ	1
-230C	113T1227-23		..FITTING- (OPT ITEM 230B) (USED ON ITEMS 185C, 185E)	G-J,N ,Q,U, W,X,A C,AE, AG,AJ AL,AN ,AY,B G,BQ	1

57-53-31

ILLUSTRATED PARTS LIST

01.1 Page 1092L

Nov 01/03


BOEING
 COMPONENT
 MAINTENANCE MANUAL

FIG. & ITEM	PART NO.	AIRLINE PART NUMBER	NOMENCLATURE	EFF CODE	QTY PER ASSY
			1234567		
04- -235	113T1227-8		..FITTING- (USED ON ITEMS 190, 190A, 190F)	K-M,R ,V,Z, AH,AR ,BF	1
-235A	113T1227-12		..FITTING- (USED ON ITEM 190A)	K-M,R ,Z,AH	1
-235B	113T1227-18		..FITTING- (OPT ITEM 235C) (USED ON ITEMS 190C, 190E)	K-M,P ,R,V, Y,Z,A D,AF, AH,AK AM,AP ,AZ,B H,BR	1
-235C	113T1227-24		..FITTING- (OPT ITEM 235B) (USED ON ITEMS 190C, 190E)	K-M,P ,R,V, Y,Z, AD,AF AH,AK AM,AP AZ,BH BR	1

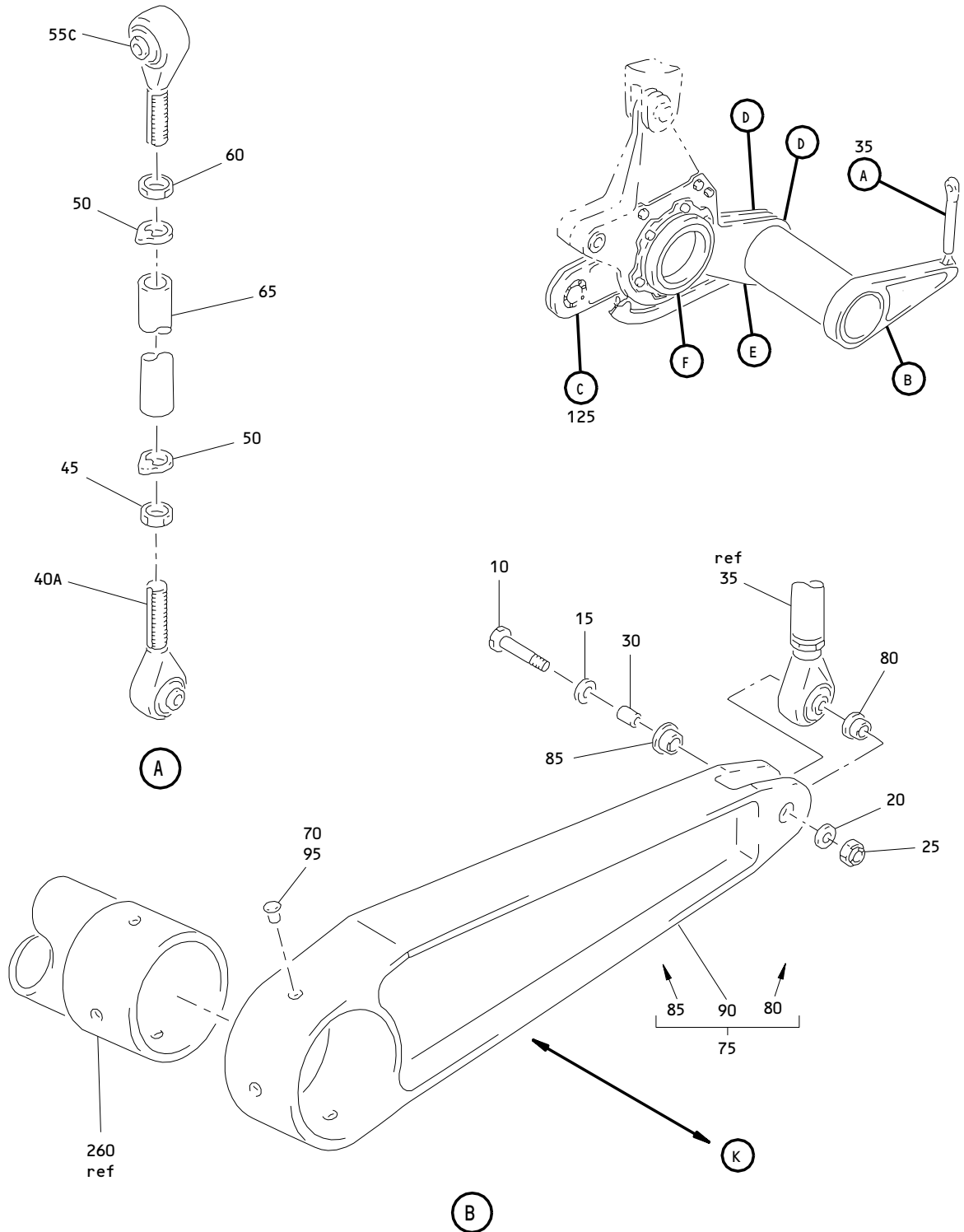
- Item Not Illustrated

57-53-31

ILLUSTRATED PARTS LIST

01.1 Page 1092M

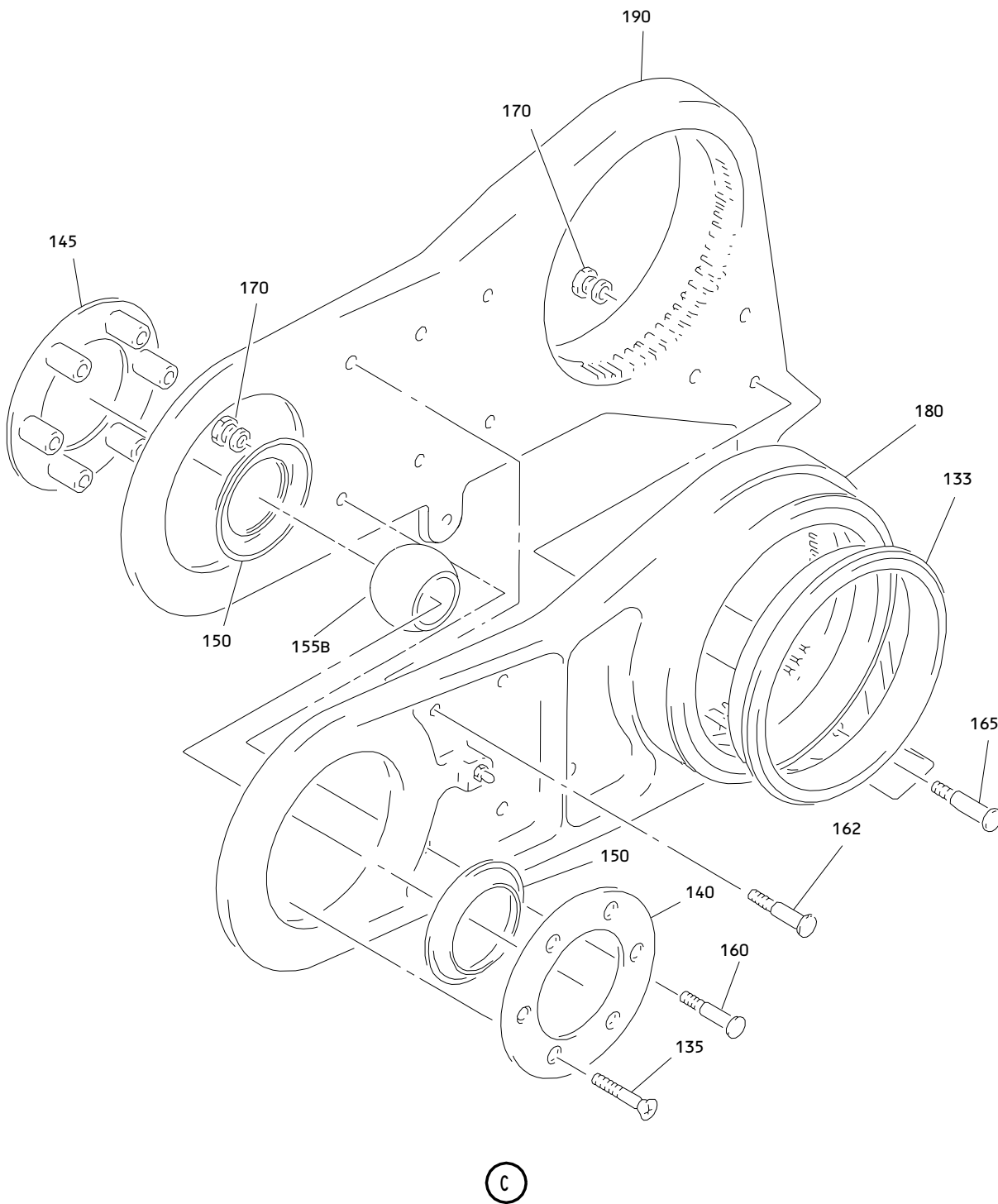
Nov 01/03



Drive Installation - Inboard Trailing Edge Flap Support
 Figure 5 (Sheet 1)

57-53-31

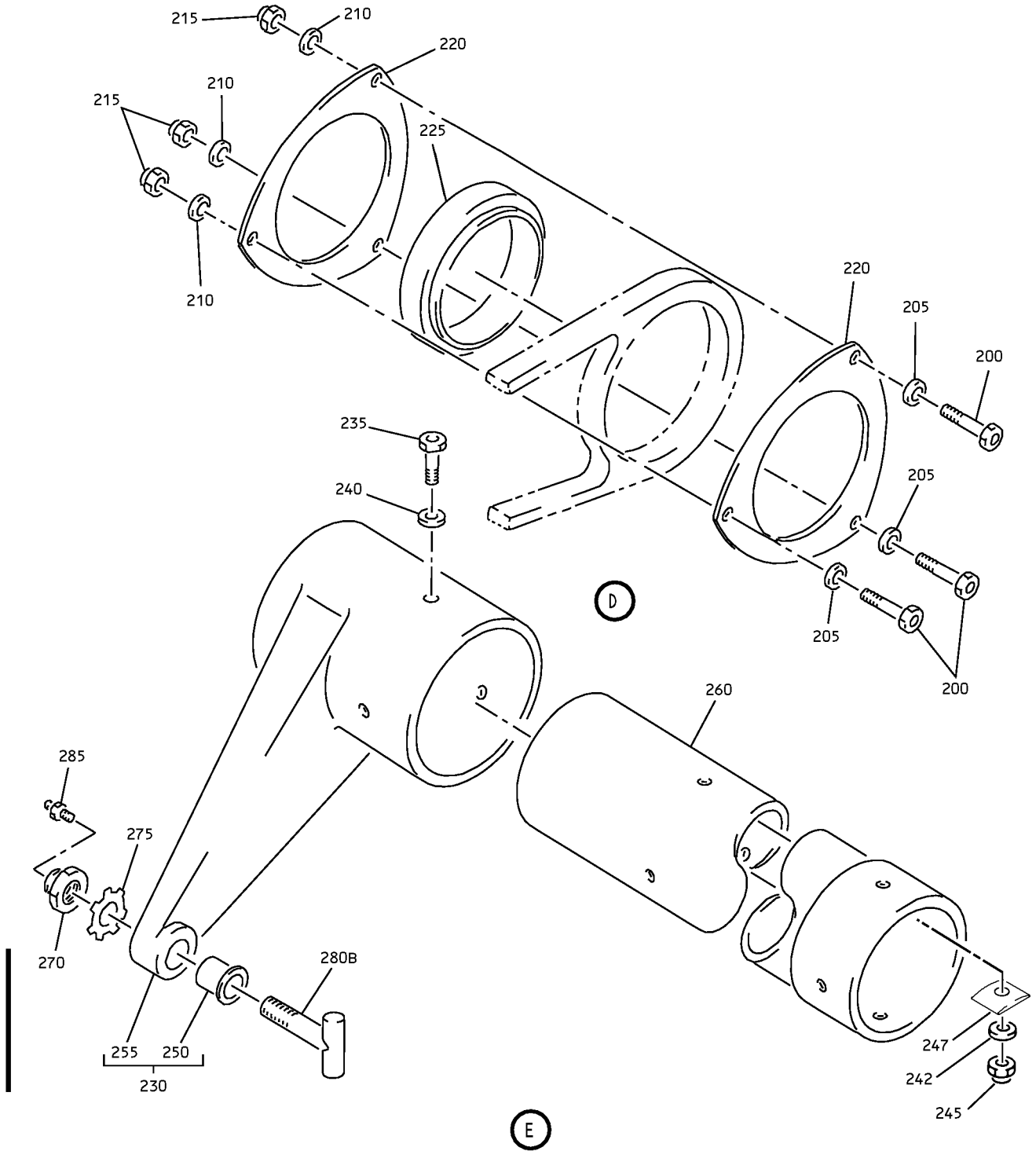
ILLUSTRATED PARTS LIST
 01.1 Page 10920
 Nov 01/03



Drive Installation - Inboard Trailing Edge Flap Support
Figure 5 (Sheet 2)

57-53-31

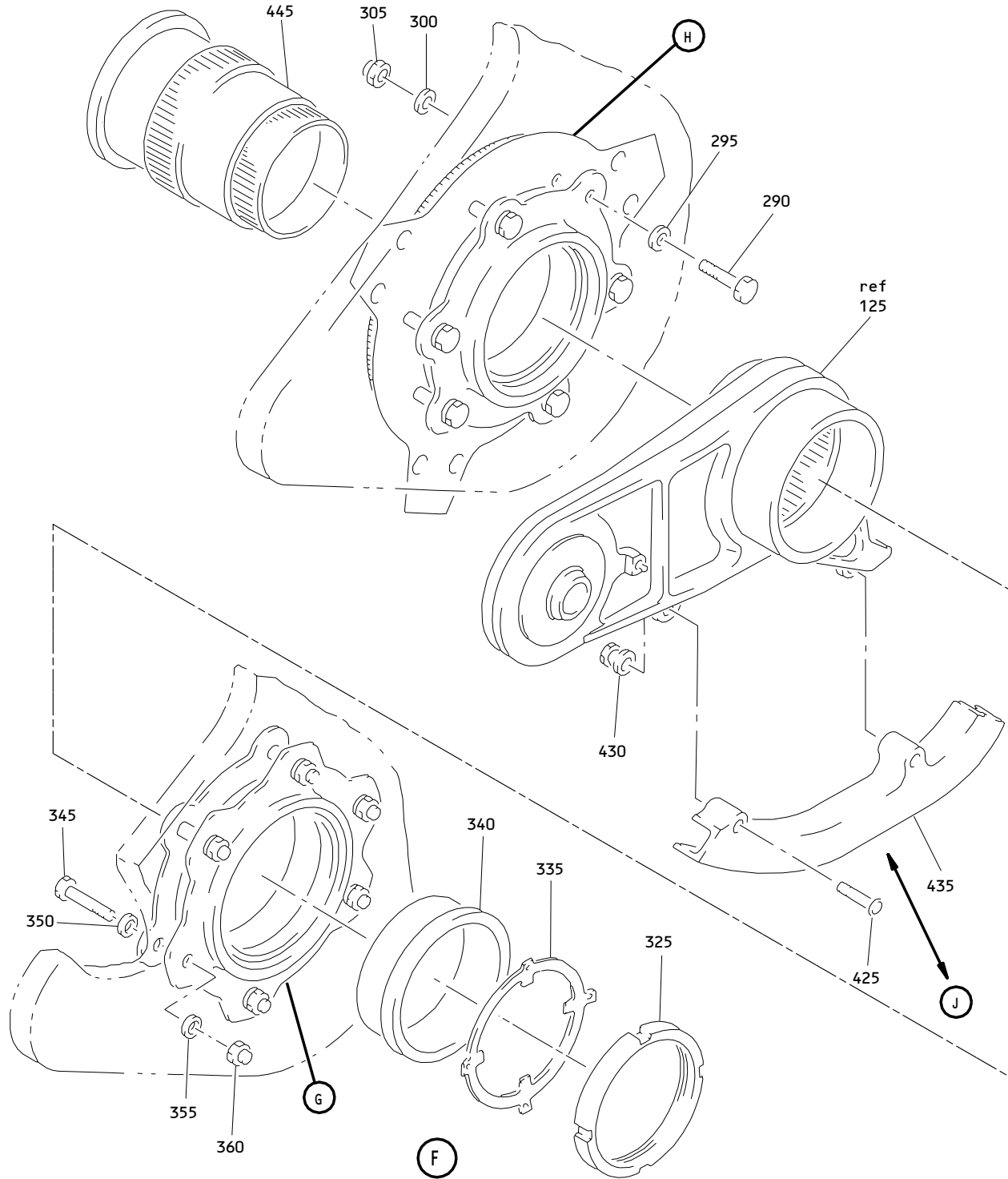
ILLUSTRATED PARTS LIST
01.1 Page 1092P
Nov 01/03



Drive Installation-Inboard Trailing Edge Flap Support
 Figure 5 (Sheet 3)

57-53-31

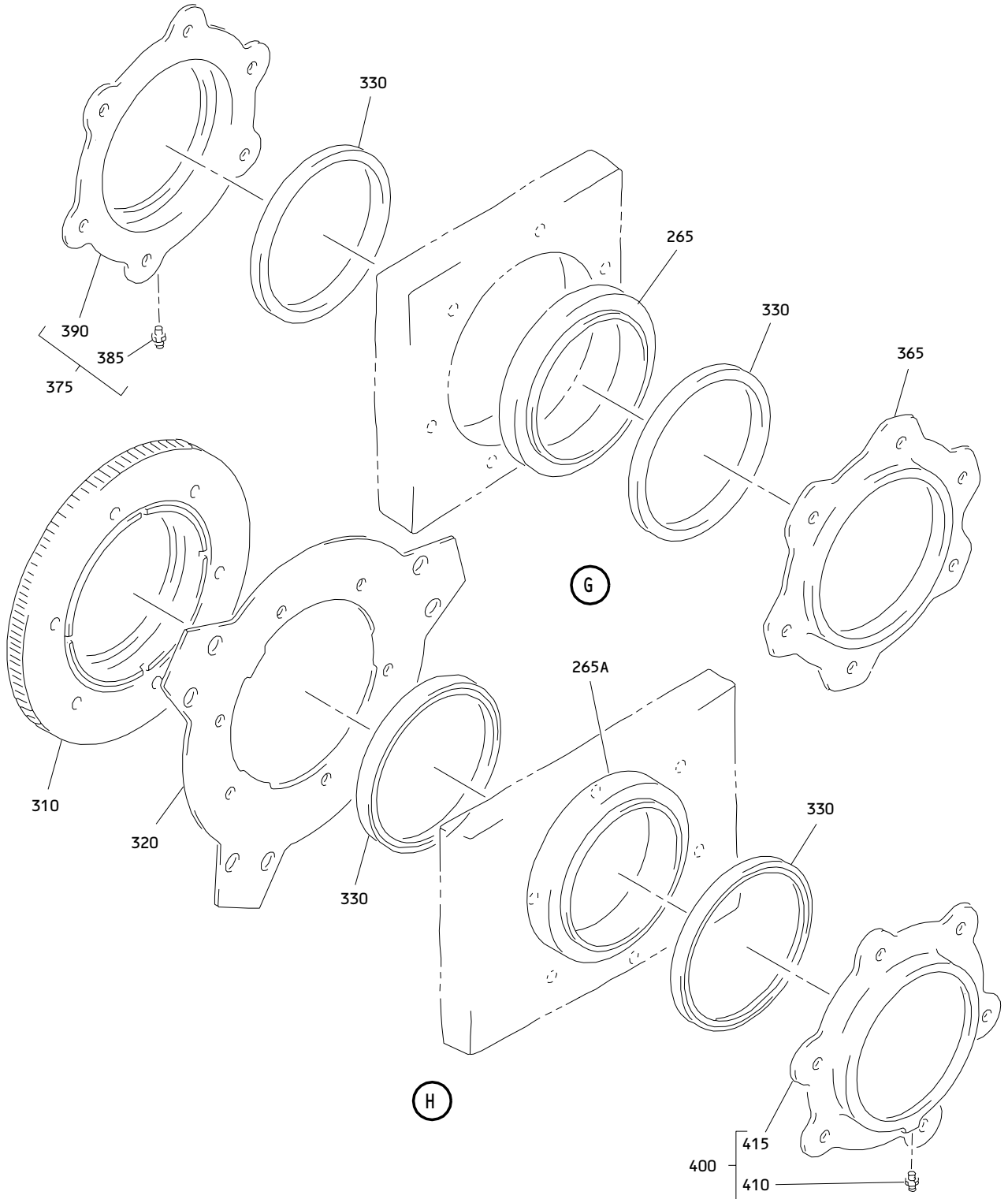
ILLUSTRATED PARTS LIST
 01.1 Page 1092Q
 Nov 01/03



Drive Installation-Inboard Trailing Edge Flap Support
Figure 5 (Sheet 4)

57-53-31

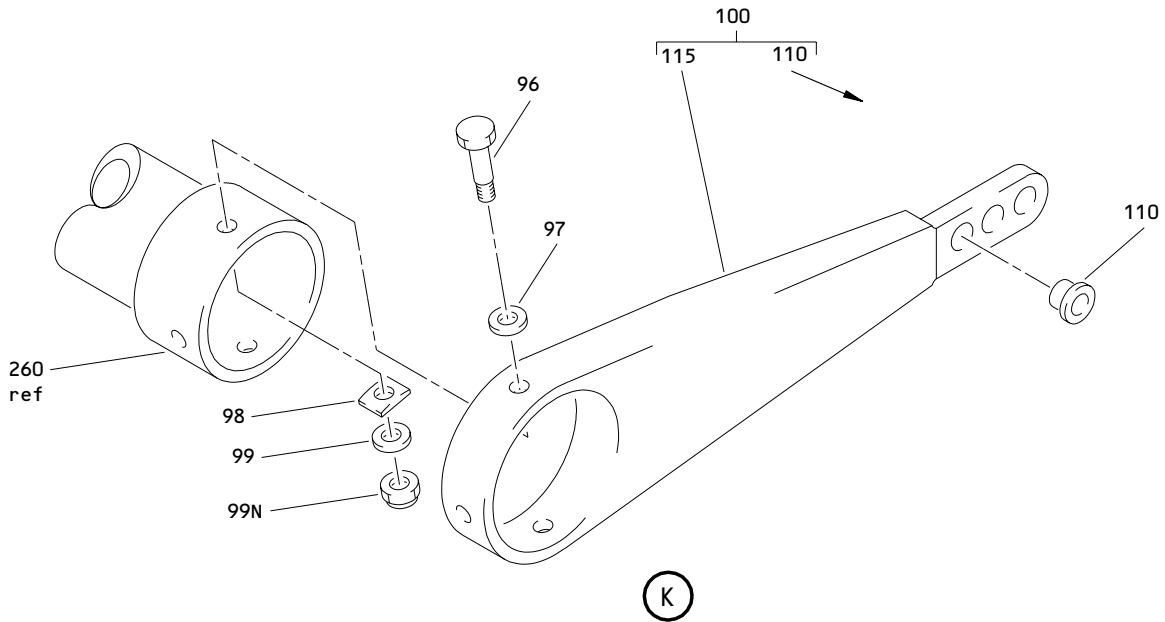
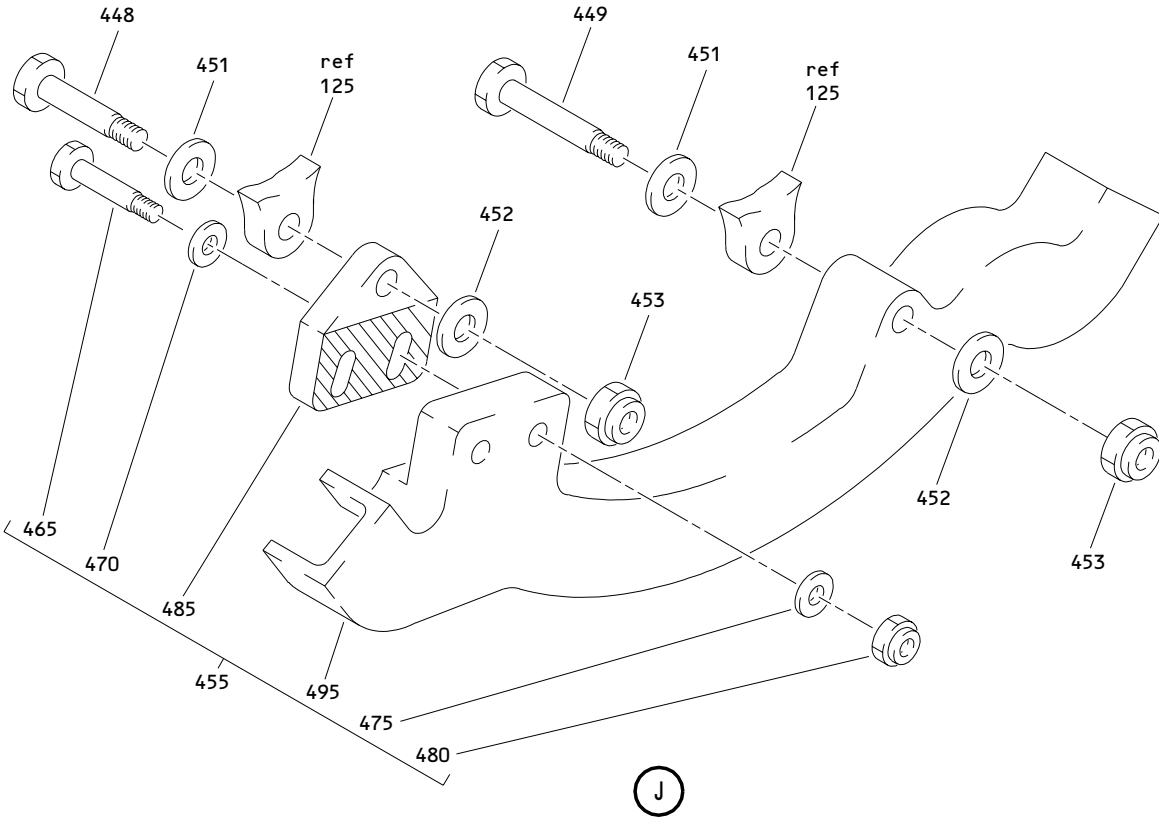
ILLUSTRATED PARTS LIST
01.1 Page 1092R
Nov 01/03



Drive Installation-Inboard Trailing Edge Flap Support
Figure 5 (Sheet 5)

57-53-31

ILLUSTRATED PARTS LIST
01.1 Page 1092S
Nov 01/03



Drive Installation-Inboard Trailing Edge Flap Support
 Figure 5 (Sheet 6)

57-53-31

ILLUSTRATED PARTS LIST
 01.1 Page 1092T
 Nov 01/03


BOEING
 COMPONENT
 MAINTENANCE MANUAL

FIG. & ITEM	PART NO.	AIRLINE PART NUMBER	NOMENCLATURE 1234567	EFF CODE	QTY PER ASSY
05- -1	113T2000-5019		DRIVE INSTL-INBD TE FLAP SPRT (LH)	C,E	RF
-1A	113T2000-5035		DRIVE INSTL-INBD TE FLAP SPRT (LH)	C,E	RF
-1B	113T2000-5039		DRIVE INSTL-INBD TE FLAP SPRT (LH)	C,E	RF
-1C	113T2000-5043		DRIVE INSTL-INBD TE FLAP SPRT (LH)	AA	RF
-1D	113T2000-5045		DRIVE INSTL-INBD TE FLAP SPRT (LH)	AA	RF
-1E	113T2000-5053		DRIVE INSTL-INBD TE FLAP SPRT (LH)	C,E	RF
-1F	113T2000-93		DRIVE INSTL-INBD TE FLAP SPRT (VARIABLE) (LH)	S	RF
-1G	113T2000-5091		DRIVE INSTL-INBD TE FLAP SPRT (LH) (LIMITED)	AA	RF
-1H	113T2000-179		DRIVE INSTL-INBD TE FLAP SPRT (LH)	AS	RF
-1J	113T2000-181		DRIVE INSTL-INBD TE FLAP SPRT (LH)	AT	RF
-1K	113T2000-197		DRIVE INSTL-INBD TE FLAP SPRT (VARIABLE) (LH)	AU	RF
-5	113T2000-5020		DRIVE INSTL-INBD TE FLAP SPRT (RH)	D,F	RF
-5A	113T2000-5036		DRIVE INSTL-INBD TE FLAP SPRT (RH)	D,F	RF
-5B	113T2000-5040		DRIVE INSTL-INBD TE FLAP SPRT (RH)	D,F	RF
-5C	113T2000-5044		DRIVE INSTL-INBD TE FLAP SPRT (RH)	AB	RF
-5D	113T2000-5046		DRIVE INSTL-INBD TE FLAP SPRT (RH)	AB	RF
-5E	113T2000-5054		DRIVE INSTL-INBD TE FLAP SPRT (RH)	D,F	RF
-5F	113T2000-94		DRIVE INSTL-INBD TE FLAP SPRT (VARIABLE) (RH)	T	RF
-5G	113T2000-5092		DRIVE INSTL-INBD TE FLAP SPRT (RH) (LIMITED)	AB	RF
-5H	113T2000-180		DRIVE INSTL-INBD TE FLAP SPRT (RH)	AV	RF
-5J	113T2000-182		DRIVE INSTL-INBD TE FLAP SPRT (RH)	AW	RF

57-53-31

 ILLUSTRATED PARTS LIST
 01.1 Page 1092U
 Nov 01/03

FIG. & ITEM	PART NO.	AIRLINE PART NUMBER	NOMENCLATURE 1234567	EFF CODE	QTY PER ASSY
05- -5K	113T2000-198		DRIVE INSTL-INBD TE FLAP SPRT (VARIABLE) (RH)	AX	RF
10	BACB30LJ4U15		.BOLT	C-F,S ,T,AT ,AU,A W,AX	1
15	BACW10BP4AC		.WASHER	C-F,S ,T,AT ,AU,A W,AX	1
20	BACW10BP4AP		.WASHER	C-F,S ,T,AT ,AU,A W,AX	1
25	NAS1804-4		.NUT	C-F,S ,T,AT ,AU,A W,AX	1
30	BACB28AK04-033		.BUSHING	C-F,S ,T	1
35	113T1293-3		.LINK ASSY-DOOR DRIVE	C-F,S ,T,AT ,AU,A W,AX	1
40 40A	ARNM4-101KLC S012T235-104-78		DELETED ..BEARING-ROD END (OPT MSSRRSKLO4FB (V73134))	C-F,S ,T,AT ,AU,A W,AX	1
45	NAS509L6		..NUT	C-F,S ,T,AT ,AU,A W,AX	1

57-53-31

 ILLUSTRATED PARTS LIST
 01.1 Page 1092V
 Nov 01/03


BOEING
 COMPONENT
 MAINTENANCE MANUAL

FIG. & ITEM	PART NO.	AIRLINE PART NUMBER	NOMENCLATURE 1234567	EFF CODE	QTY PER ASSY
05-50	NAS513-6		..WASHER	C-F,S ,T,AT ,AU,A W,AX	2
55	S012T235-104-70		DELETED		
55A	ARNM4-101KM		DELETED		
-55B	ARNM4-101KM		DELETED		
55C	MSSESK04FBDF		..BEARING-ROD END (V73134) (SPEC S012T235-104-79) (OPT ADNE4-334NW9 (V15860)) (OPT MSSRRSK04FBDF (V73134)) (OPT ARNM4-101KM (VS0352)) (OPT ITEM 55D)	C-F,S ,T,AT ,AU,A W,AX	1
-55D	ADNE4-334NWO		..BEARING-ROD END (V15860) (SPEC S012T235-104-70) (OPT ITEM 55C)	C-F,S ,T,AT ,AU,A W,AX	1
60	NAS509-6		..NUT	C-F,S ,T,AT ,AU,A W,AX	1
65	113T1293-4		..LINK	C-F,S ,T,AT ,AU,A W,AX	1
70	BACR15FT10KE		.RIVET- (SIZE DETERMINE ON INST)	C-F,S ,T,AT ,AU,A W,AX	3
75	113T1252-1		.CRANK ASSY-DOOR DRIVE OUTER BELL (USED ON ITEMS 1, 1B, 1E, 5, 5B, 5E) (PRE SB 767-27-0080)	C-F,A T,AW	1

57-53-31

ILLUSTRATED PARTS LIST

01.1 Page 1092W

Nov 01/03

FIG. & ITEM	PART NO.	AIRLINE PART NUMBER	NOMENCLATURE 1234567	EFF CODE	QTY PER ASSY
05- -75A	113T1252-1		.CRANK ASSY-DOOR DRIVE OUTER BELL (OPT ITEM 75B) (USED ON ITEMS 1A, 5A) (PRE SB 767-27-0080)	C-F,S ,T,AU ,AX	1
-75B	113T1371-1		.CRANK ASSY-DOOR DRIVE OUTER BELL (OPT ITEM 75A) (USED ON ITEMS 1A, 5A)	C-F,S ,T,AU ,AX	1
80	BACB28AM06B014A		..BUSHING	C-F,S ,T,AT ,AU,A W,AX	1
85	BACB28AP04P013		..BUSHING	C-F,S ,T,AT ,AU,A W,AX	1
90	113T1252-2		..FITTING- (USED ON ITEMS 75, 75A)	C-F,S ,T,AT ,AU,A W,AX	1
-90A	113T1371-2		..FITTING- (USED ON ITEM 75B)	C-F,S ,T,AU ,AX	1
95	BACR15BB6AD		.RIVET- (SIZE DETERMINE ON INST) (USED ON ITEMS 1C, 1D, 5C, 5D) (PRE SB 767-27-0154)	AA,AB	3
R 96	BACB30NM3K7		.BOLT- (USED ON ITEMS 1G, 1H, 5G, 5H)	AA,AB ,AS,A V	3
R -96A	BACB30NM4K7		.BOLT- (USED ON ITEMS 1C, 1D, 5C, 5D) (POST SB 767-27-0154)	AA,AB	3
R 97	BACW10BP3AC		.WASHER- (USED ON ITEMS 1G, 1H, 5G, 5H)	AA,AB ,AS,A V	3
R -97A	BACW10BP4AC		.WASHER- (USED ON ITEMS 1C, 1D, 5C, 5D) (POST SB 767-27-0154)	AA,AB	3

57-53-31

 ILLUSTRATED PARTS LIST
 01.1 Page 1092X
 Nov 01/03


BOEING
 COMPONENT
 MAINTENANCE MANUAL

FIG. & ITEM	PART NO.	AIRLINE PART NUMBER	NOMENCLATURE 1234567	EFF CODE	QTY PER ASSY
R 05-98	113T2000-200		.FILLER- (USED ON ITEMS 1G, 1H, 5G, 5H)	AA,AB ,AS,A V	3
R -98A	113T2000-200		.FILLER- (USED ON ITEMS 1C, 1D, 5C, 5D) (POST SB 767-27-0154)	AA,AB	3
R 99	BACW10BP3AP		.WASHER- (USED ON ITEMS 1G, 1H, 5G, 5H)	AA,AB ,AS,A V	3
R -99A	BACW10BP4AP		.WASHER- (USED ON ITEMS 1C, 1D, 5C, 5D) (POST SB 767-27-0154)	AA,AB	3
R 99N	BRH10C3D		.NUT- (V52828) (SPEC BACN10JC3CD) (OPT T6C1032JCD (V11815)) (OPT NS202486-02 (V80539)) (OPT 102LH9075-3W (V72962)) (OPT H51650-3BAC (V15653)) (USED ON ITEMS 1G, 1H, 5G, 5H)	AA,AB ,AS,A V	3
R -99P	BRH10C4D		.NUT- (V52828) (SPEC BACN10JC4CD) (OPT T6C428JCD (V11815)) (OPT NS202486-048 (V80539)) (OPT 102LH9075-4W (V72962)) (OPT H51650-4BAC (V15653)) (USED ON ITEMS 1C, 1D, 5C, 5D) (POST SB 767-27-0154)	AA,AB	3

57-53-31

 ILLUSTRATED PARTS LIST
 01.1 Page 1092Y
 Nov 01/03

FIG. & ITEM	PART NO.	AIRLINE PART NUMBER	NOMENCLATURE 1234567	EFF CODE	QTY PER ASSY
05-100	113T2027-1		.CRANK ASSY-DOOR DRIVE OUTER BELL (DIFFERENT DIAMETER ATTACHMENT HOLES MAY EXIST DUE TO SB 767-57-0154 INCORPORATION)	AA,AS	1
100A	113T2027-1		.CRANK ASSY-DOOR DRIVE OUTER BELL (DIFFERENT DIAMETER ATTACHMENT HOLES MAY EXIST DUE TO SB 767-57-0154 INCORPORATION)	C,E,S	1
-105	113T2027-2		.CRANK ASSY-DOOR DRIVE OUTER BELL (DIFFERENT DIAMETER ATTACHMENT HOLES MAY EXIST DUE TO SB 767-57-0154 INCORPORATION) (POST SB 767-27-0080)	AB,AV	1
R -105A	113T2027-2		.CRANK ASSY-DOOR DRIVE OUTER BELL (DIFFERENT DIAMETER ATTACHMENT HOLES MAY EXIST DUE TO SB 767-57-0154 INCORPORATION) (POST SB 767-27-0080)	D,F,T	1

57-53-31

 ILLUSTRATED PARTS LIST
 01.1 Page 1092Z
 Nov 01/03


BOEING
 COMPONENT
 MAINTENANCE MANUAL

FIG. & ITEM	PART NO.	AIRLINE PART NUMBER	NOMENCLATURE 1234567	EFF CODE	QTY PER ASSY
05-110	BACB28AP04P037		..BUSHING	C-F,S ,T,AA ,AB,A S,AV	3
115	113T2027-3		..FITTING	C,E,S ,AA,A S	1
-120	113T2027-4		..FITTING	D,F,T ,AB,A V	1
125	113T1215-1		.ARM ASSY- (OPT ITEM 125A) (USED ON ITEMS 1, 1B) (PRE SB 767-27-0080)	C,E	1
-125A	113T1215-7		.ARM ASSY- (OPT ITEM 125) (USED ON ITEMS 1, 1B)	C,E	1
-125B	113T1215-13		.ARM ASSY	AA,AS	1
-125C	113T1215-19		.ARM ASSY- (REPLS ITEM 125E) (USED ON ITEMS 1A, 1E) (PRE SB 767-27-0080)	C,E	1
-125D	113T1215-25		.ARM ASSY-(VARIABLE)	S,AU	1
-125E	113T1215-1		.ARM ASSY- (REPLD BY ITEM 125C) (USED ON ITEMS 1A, 1E) (PRE SB 767-27-0080)	C,E	1
-125F	113T1215-13		.ARM ASSY- (POST SB 767-27-0080)	C,E	1
-125G	113T1215-19		.ARM ASSY	AT	1

57-53-31

 ILLUSTRATED PARTS LIST
 01.1 Page 1093
 Nov 01/03

FIG. & ITEM	PART NO.	AIRLINE PART NUMBER	NOMENCLATURE 1234567	EFF CODE	QTY PER ASSY
05- -130	113T1215-2		.ARM ASSY- (OPT ITEM 130A) (USED ON ITEMS 5, 5B) (PRE SB 767-27-0080)	D,F	1
-130A	113T1215-8		.ARM ASSY- (OPT ITEM 130) (USED ON ITEMS 5, 5B)	D,F	1
-130B	113T1215-14		.ARM ASSY	AB,AV	1
-130C	113T1215-20		.ARM ASSY- (REPLS ITEM 130E) (USED ON ITEMS 5A, 5E) (PRE SB 767-27-0080)	D,F	1
-130D	113T1215-26		.ARM ASSY-(VARIABLE)	T,AX	1
-130E	113T1215-2		.ARM ASSY- (REPLD BY ITEM 130C) (USED ON ITEMS 5A, 5E) (PRE SB 767-27-0080)	D,F	1
-130F	113T1215-14		.ARM ASSY- (POST SB 767-27-0080)	D,F	1
-130G	113T1215-20		.ARM ASSY	AW	1
133	113T1312-6		..BUSHING	C-F,S ,T,AA ,AB,A S-AX	1
135	BACB30LR3P8		..BOLT	C-F,S ,T,AA ,AB,A S-AX	6
140	113T1267-11		..RETAINER	C-F,S ,T,AA ,AB,A S-AX	1
145	113T1267-12		..RETAINER	C-F,S ,T,AA ,AB,A S-AX	1
150	113T1256-28		..SEAL	C-F,S ,T,AA ,AB,A S-AX	2
155	ABS16-101		DELETED		
155A	BLN16-2021		DELETED		

57-53-31

 ILLUSTRATED PARTS LIST
 01.1 Page 1094
 Nov 01/03


BOEING
 COMPONENT
 MAINTENANCE MANUAL

FIG. & ITEM	PART NO.	AIRLINE PART NUMBER	NOMENCLATURE	EFF CODE	QTY PER ASSY
05-155B	BLP16F243		1234567 ..BEARING- (V16746) (SPEC 60B00180-243) (OPT ABS16-101 (VS0352)) (OPT LHCB16BA (V73134)) (OPT BLN16-2021 (V81376))	C-F,S ,T,AA ,AB,A S-AX	1
160	HL448UC8-4		..BOLT- (V56878) (SPEC BACB30MB8A4) (OPT HL448UC8-4 (V73197)) (OPT HL448UC8-4 (V92215)) (OPT HL448UC8-4 (V97928)) (OPT 69308-8A4 (V56878)) (OPT HL448UC8-4 (V80539)) (OPT HL448UC8-4 (V08524)) (OPT HL448UC8-4 (V9N513)) (OPT WC4488-4 (V60516))	C-F,S ,T,AA ,AB,A S-AX	7

57-53-31

 ILLUSTRATED PARTS LIST
 01.1 Page 1094A
 Nov 01/03

FIG. & ITEM	PART NO.	AIRLINE PART NUMBER	NOMENCLATURE 1234567	EFF CODE	QTY PER ASSY
05-162	HL448UC8-4		..BOLT-(SELECT FROM) (V56878) (SPEC BACB30MB8A4) (OPT HL448UC8-4 (V73197)) (OPT HL448UC8-4 (V92215)) (OPT HL448UC8-4 (V97928)) (OPT 69308-8A4 (V56878)) (OPT HL448UC8-4 (V80539)) (OPT HL448UC8-4 (V08524)) (OPT HL448UC8-4 (V9N513)) (OPT WC4488-4 (V60516))	C-F,S ,T,AA ,AB,A S-AX	1
-162A	HL448UC8-3		..BOLT-(SELECT FROM) (V73197) (SPEC BACB30MB8A3) (OPT HL448UC8-3 (V56878)) (OPT HL448UC8-3 (V92215)) (OPT 69308-8A3 (V56878)) (OPT HL448UC8-3 (V80539)) (OPT HL448UC8-3 (V97928)) (OPT HL448UC8-3 (V08524)) (OPT HL448UC8-3 (V9N513)) (OPT WC4488-3 (V60516))	C-F,S ,T,AA ,AB,A S-AX	1

57-53-31

 ILLUSTRATED PARTS LIST
 01.1 Page 1094B
 Nov 01/03


BOEING
 COMPONENT
 MAINTENANCE MANUAL

FIG. & ITEM	PART NO.	AIRLINE PART NUMBER	NOMENCLATURE 1234567	EFF CODE	QTY PER ASSY
05-165	HL448UC8-6		..BOLT- (V56878) (SPEC BACB30MB8A6) (OPT HL448UC8-6 (V73197)) (OPT HL448UC8-6 (V92215)) (OPT HL448UC8-6 (V97928)) (OPT 69308-8A6 (V56878)) (OPT HL448UC8-6 (V80539)) (OPT HL448UC8-6 (V08524)) (OPT HL448UC8-6 (V9N513)) (OPT WC4488-6 (V60516))	C-F,S ,T,AA ,AB,A S-AX	1
170	BACC30Z8PB		..COLLAR- (USED ON ITEMS 125, 125A, 130, 130A)	C-F	9
-170A	HL1187-8		..COLLAR- (V5M902) (SPEC BACC30X8) (OPT HL87-8 (V73197)) (OPT HL87-8 (V92215)) (OPT HL1187-8 (V56878)) (OPT HL1187-8 (V92215)) (OPT HL87-8 (V56878)) (OPT HL1187-8 (V73197)) (USED ON ITEMS 125B, 125C, 125F, 125G, 130B, 130C, 130F, 130G)	C-F,S ,T,AA ,AB,A S-AX	9
180	113T1215-3		..FITTING-ARM (USED ON ITEM 125)	C,E	1
-180A	113T1215-9		..FITTING-ARM (USED ON ITEM 125A)	C,E	1

57-53-31

 ILLUSTRATED PARTS LIST
 01.1 Page 1094C
 Nov 01/03

FIG. & ITEM	PART NO.	AIRLINE PART NUMBER	NOMENCLATURE 1234567	EFF CODE	QTY PER ASSY
05- -180B	113T1215-15		..FITTING-ARM (OPT ITEM 180D) (USED ON ITEMS 125B, 125F)	C,E,A A,AS	1
-180C	113T1215-21		..FITTING-ARM (OPT ITEM 180E) (USED ON ITEMS 125C, 125G)	C,E,S ,AT,A U	1
-180D	113T1215-27		..FITTING-ARM (OPT ITEM 180B) (USED ON ITEMS 125B, 125F)	C,E,A A,AS	1
-180E	113T1215-31		..FITTING-ARM (OPT ITEM 180C) (USED ON ITEMS 125C, 125G)	C,E,S ,AT,A U	1
-185	113T1215-4		..FITTING-ARM (USED ON ITEM 130)	D,F	1
-185A	113T1215-10		..FITTING-ARM (USED ON ITEM 130A)	D,F	1
-185B	113T1215-16		..FITTING-ARM (OPT ITEM 185D) (USED ON ITEMS 130B, 130F)	D,F,A B,AV	1
-185C	113T1215-22		..FITTING-ARM (OPT ITEM 185E) (USED ON ITEMS 130C, 130G)	D,F,T ,AW,A X	1
-185D	113T1215-28		..FITTING-ARM (OPT ITEM 185B) (USED ON ITEMS 130B, 130F)	D,F,A B,AV	1
-185E	113T1215-32		..FITTING-ARM (OPT ITEM 185C) (USED ON ITEMS 130C, 130G)	D,F,T ,AW,A X	1
190	113T1215-5		..FITTING-ARM (USED ON ITEM 125)	C,E	1
-190A	113T1215-11		..FITTING- (USED ON ITEM 125A)	C,E	1
-190B	113T1215-17		..FITTING-ARM (OPT ITEM 190D) (USED ON ITEMS 125B, 125F)	C,E,A A,AS	1

57-53-31

 ILLUSTRATED PARTS LIST
 01.1 Page 1094D
 Nov 01/03


BOEING
 COMPONENT
 MAINTENANCE MANUAL

FIG. & ITEM	PART NO.	AIRLINE PART NUMBER	NOMENCLATURE 1234567	EFF CODE	QTY PER ASSY
05- -190C	113T1215-23		..FITTING- (OPT ITEM 190E) (USED ON ITEMS 125C, 125G)	C,E,S ,AT,A U	1
-190D	113T1215-29		..FITTING-ARM (OPT ITEM 190B) (USED ON ITEMS 125B, 125F)	C,E,A A,AS	1
-190E	113T1215-33		..FITTING- (OPT ITEM 190C) (USED ON ITEMS 125C, 125G)	C,E,S ,AT,A U	1
-195	113T1215-6		..FITTING- (USED ON ITEM 130)	D,F	1
-195A	113T1215-12		..FITTING- (USED ON ITEM 130A)	D,F	1
-195B	113T1215-18		..FITTING-ARM (OPT ITEM 195D) (USED ON ITEMS 130B, 130F)	D,F,A B,AV	1
-195C	113T1215-24		..FITTING- (OPT ITEM 195E) (USED ON ITEMS 130C, 130G)	D,F,T ,AW,A X	1
-195D	113T1215-30		..FITTING-ARM (OPT ITEM 195B) (USED ON ITEMS 130B, 130F)	D,F,A B,AV	1
-195E	113T1215-34		..FITTING- (OPT ITEM 195C) (USED ON ITEMS 130C, 130G)	D,F,T ,AW,A X	1
200	BACB30NM4K14		.BOLT	C-F,S ,T,AA ,AB,A S-AX	6
205	BACW10BP4AC		.WASHER	C-F,S ,T,AA ,AB,A S-AX	6
210	BACW10BP4AP		.WASHER	C-F,S ,T,AA ,AB,A S-AX	6

57-53-31

 ILLUSTRATED PARTS LIST
 01.1 Page 1094E
 Nov 01/03

FIG. & ITEM	PART NO.	AIRLINE PART NUMBER	NOMENCLATURE 1234567	EFF CODE	QTY PER ASSY
05-215	BRH10A4		.NUT- (V52828) (SPEC BACN10JC4) (OPT T6S428J (V11815)) (OPT 96-048 (V80539)) (OPT VN303A048 (V92215)) (OPT RMLH9075-4W (V72962)) (OPT NS202101-048 (V80539)) (OPT H10-4BAC (V15653))	C-F,S ,T,AA ,AB,A S-AX	6
-215A 220	MS21042L4 113T1268-1		DELETED .RETAINER-BRG	C-F,S ,T,AA ,AB,A S-AX	4
225	SB1137		.BEARING- (V92563) (SPEC 60B00178-22)	C-F,S ,T,AA ,AB,A S-AX	2
230	113T1255-1		.CRANK ASSY-DOOR DRIVE INNER BELL (USED ON ITEMS 1, 5) (PRE SB 767-27-0080)	C-F	1
-230A	113T1255-3		.CRANK ASSY-DOOR DRIVE INNER BELL (USED ON ITEMS 1A, 1B, 1E, 5A, 5B, 5E) (PRE SB 767-27-0080)	C-F,S ,T,AT ,AU,A W,AX	1
-230B	113T2026-1		.CRANK ASSY-DOOR DRIVE INNER BELL (OPT ITEM 230D)	AA,AB ,AS,A V	1
-230C	113T2026-1		.CRANK ASSY-DOOR DRIVE INNER BELL (POST SB 767-27-0080)	C-F,S ,T	1
-230D	113T1257-1		.BELLCRANK ASSY-DOOR DRIVE INNER BELL (OPT ITEM 230B) ATTACHING PARTS	AA,AB ,AS,A V	1

57-53-31

ILLUSTRATED PARTS LIST

01.1 Page 1094F

Nov 01/03

BOEING
 COMPONENT
 MAINTENANCE MANUAL

FIG. & ITEM	PART NO.	AIRLINE PART NUMBER	NOMENCLATURE 1234567	EFF CODE	QTY PER ASSY
05-235	BACB30NM4K5		.BOLT	C-F,S ,T,A S-AX	3
-235A	BACB30NM4K5		.BOLT- (LIMITED)	AA,AB	3
-235B	BACB30NM4K5		.BOLT- (LIMITED) (PRE SB 767-27-0154)	AA,AB	3
-235C	BACB30NM4K7		.BOLT- (LIMITED) (POST SB 767-27-0154)	AA,AB	3
240	AN960PD416		.WASHER	C-F,S ,T	3
-240A	AN960JD416		DELETED		
-240B	AN960PD416		.WASHER- (LIMITED)	AA,AB	3
-240C	AN960PD416		.WASHER- (LIMITED) (PRE SB 767-27-0154)	AA,AB	3
-240D	BACW10BP4AC		.WASHER- (LIMITED) (POST SB 767-27-0154)	AA,AB	3
-240E	NAS1149D0463J		.WASHER	AS-AX	3
242	AN960PD416		.WASHER	C-F,S ,T	3
-242A	AN960PD416		.WASHER- (LIMITED)	AA,AB	3
-242B	AN960PD416		.WASHER- (LIMITED) (PRE SB 767-27-0154)	AA,AB	3
-242C	BACW10BP4AP		.WASHER- (LIMITED) (POST SB 767-27-0154)	AA,AB	3
-242D	NAS1149D0463J		.WASHER	AS-AX	3

57-53-31

ILLUSTRATED PARTS LIST
 01.1 Page 1094G
 Nov 01/03

FIG. & ITEM	PART NO.	AIRLINE PART NUMBER	NOMENCLATURE 1234567	EFF CODE	QTY PER ASSY
05-245	BRH10A4		.NUT- (V52828) (SPEC BACN10JC4) (OPT T6S428J (V11815)) (OPT 96-048 (V80539)) (OPT VN303A048 (V92215)) (OPT RMLH9075-4W (V72962)) (OPT NS202101-048 (V80539)) (OPT H10-4BAC (V15653))	C-F,S ,T	3
-245A -245B	MS21042L4 BRH10A4		DELETED .NUT- (V52828) (SPEC BACN10JC4) (OPT T6S428J (V11815)) (OPT 96-048 (V80539)) (OPT VN303A048 (V92215)) (OPT RMLH9075-4W (V72962)) (OPT NS202101-048 (V80539)) (OPT H10-4BAC (V15653)) (LIMITED)	AA,AB	3

57-53-31

 ILLUSTRATED PARTS LIST
 01.1 Page 1094H
 Nov 01/03


BOEING
 COMPONENT
 MAINTENANCE MANUAL

FIG. & ITEM	PART NO.	AIRLINE PART NUMBER	NOMENCLATURE	EFF CODE	QTY PER ASSY
05- -245C	BRH10A4		1234567 .NUT- (V52828) (SPEC BACN10JC4) (OPT T6S428J (V11815)) (OPT 96-048 (V80539)) (OPT VN303A048 (V92215)) (OPT RMLH9075-4W (V72962)) (OPT NS202101-048 (V80539)) (OPT H10-4BAC (V15653)) (LIMITED) (PRE SB 767-27-0154)	AA,AB	3
-245D	BRH10C4D		.NUT- (V52828) (SPEC BACN10JC4CD) (OPT T6C428JCD (V11815)) (OPT NS202486-048 (V80539)) (OPT 102LH9075-4W (V72962)) (OPT H51650-4BAC (V15653)) (LIMITED) (POST SB 767-27-0154)	AA,AB	3
-245E	BRH10C4D		.NUT- (V52828) (SPEC BACN10JC4CD) (OPT T6C428JCD (V11815)) (OPT NS202486-048 (V80539)) (OPT 102LH9075-4W (V72962)) (OPT H51650-4BAC (V15653)) -----*	AS-AX	3

57-53-31

 ILLUSTRATED PARTS LIST
 01.1 Page 1094I
 Nov 01/03

FIG. & ITEM	PART NO.	AIRLINE PART NUMBER	NOMENCLATURE 1234567	EFF CODE	QTY PER ASSY
05- 247	113T2000-52		. FILLER	AS-AX	3
250	BACB28AP08P056		.. BUSHING	C-F, S , T, AA , AB, A S-AX	1
255	113T1255-2		.. BELLCRANK- (USED ON ITEM 230)	C-F	1
-255A	113T1255-4		.. BELLCRANK- (OPT ITEM 255D) (USED ON ITEM 230A)	C-F, S , T, AT , AU, A W, AX	1
-255B	113T2026-2		.. BELLCRANK- (USED ON ITEMS 230B, 230C)	C-F, S , T, AA , AB, A S, AV	1
-255C	113T1257-2		.. BELLCRANK- (USED ON ITEM 230D)	AA, AB , AS, A V	1
-255D	113T1255-5		.. BELLCRANK- (OPT ITEM 255A) (USED ON ITEM 230A)	C-F, S , T, AT , AU, A W, AX	1
260	113T1292-1		. SHAFT-DOOR DRIVE (DIFFERENT DIAMETER ATTACHMENT HOLES MAY EXIST DUE TO SB 767-57-0154 INCORPORATION)	C-F, S , T, AA , AB, A S-AX	1
265	B8922CK		DELETED		
265A	DAT72-90A1-501		. BEARING- (V77896) (SPEC 60B00178-23)	C-F, S , T, AA , AB, A S-AX	2
-265B	SB1131		DELETED		

57-53-31

 ILLUSTRATED PARTS LIST
 01.1 Page 1094J
 Nov 01/03


BOEING
 COMPONENT
 MAINTENANCE MANUAL

FIG. & ITEM	PART NO.	AIRLINE PART NUMBER	NOMENCLATURE 1234567	EFF CODE	QTY PER ASSY
05-270	H10-8BAC		.NUT- (V15653) (SPEC BACN10JC8) (OPT BMN4122A8 (V85495)) (OPT RMLH9074-8 (V72962)) (OPT 48FT820 (V56878)) (OPT BMN4122AD3-8 (V97928))	C-F,S ,T,AA ,AB,A S-AX	1
275	MS27111-5		.WASHER	C-F,S ,T,AA ,AB,A S-AX	1
280	CF2582		DELETED		
280A	CC55133		DELETED		
280B	CR1XBC189		.BEARING-ROLLER (V07484) (SPEC 60B00178-651)	C-F,S ,T,AA ,AB,A S-AX	1
285	MS15001-1		.FITTING-LUBE	C-F,S ,T,AA ,AB,A S-AX	1
290	BACB30NM7K21		.BOLT	C-F,S ,T,AA ,AB,A S-AX	6

57-53-31

ILLUSTRATED PARTS LIST

01.1 Page 1094K

Nov 01/03

FIG. & ITEM	PART NO.	AIRLINE PART NUMBER	NOMENCLATURE 1234567	EFF CODE	QTY PER ASSY
05-295	BACW10BP7AC		.WASHER	C-F,S ,T,AA ,AB,A S-AX	6
300	BACW10BP7AP		.WASHER	C-F,S ,T,AA ,AB,A S-AX	6
305	BRH10A7		.NUT- (V52828) (SPEC BACN10JC7) (OPT H10-7BAC (V15653)) (OPT RMLH9075-7 (V72962)) (OPT 96-070 (V80539))	C-F,S ,T,AA ,AB,A S-AX	6
310	113T1269-3		.RING-REACTION	C,E,S ,AA,A U	1
-310A	113T1269-3		.RING-REACTION (OPT ITEM 310B)	AS,AT	1
-310B	113T1269-9		.RING-REACTION (OPT ITEM 310A)	AS,AT	1
-315	113T1269-4		.RING-REACTION	D,F,T ,AB,A X	1
-315A	113T1269-4		.RING-REACTION (OPT ITEM 315B)	AV,AW	1
-315B	113T1269-10		.RING-REACTION (OPT ITEM 315A)	AV,AW	1
320	113T1361-4		.SHIM-MAIN BRG	C-F,S ,T,AA ,AB,A U,AX	1
-320A	113T1361-4		.SHIM-MAIN BRG (OPT ITEM 320B)	AS,AT ,AV,A W	1
-320B	113T1361-14		.SHIM-MAIN BRG (OPT ITEM 320A)	AS,AT ,AV,A W	1

57-53-31

 ILLUSTRATED PARTS LIST
 01.1 Page 1094L
 Nov 01/03


BOEING
 COMPONENT
 MAINTENANCE MANUAL

FIG. & ITEM	PART NO.	AIRLINE PART NUMBER	NOMENCLATURE 1234567	EFF CODE	QTY PER ASSY
05-325	113T1311-1		.NUT	C-F,S ,T,AA ,AB,A S-AX	1
330	113T1256-31		.SEAL	C-F,S ,T,AA ,AB,A S-AX	4
-330A	113T1256-43		DELETED		
335	113T1254-31		.WASHER	C-F,S ,T,AA ,AB,A S-AX	1
340	113T1312-7		.BUSHING	C-F,S ,T,AA ,AB,A S-AX	1
345	BACB30NM6K21		.BOLT	C-F,S ,T,AA ,AB,A S-AX	6
350	BACW10BP6AC		.WASHER	C-F,S ,T,AA ,AB,A S-AX	6
355	BACW10BP6AP		.WASHER	C-F,S ,T,AA ,AB,A S-AX	6
360	BRH10A6		.NUT- (V52828) (SPEC BACN10JC6) (OPT 96-064 (V80539)) (OPT RMLH9075-6 (V72962)) (OPT H10-6BAC (V15653))	C-F,S ,T,AA ,AB,A S-AX	6
-360A	MS21042L6		DELETED		

57-53-31

 ILLUSTRATED PARTS LIST
 01.1 Page 1094M
 Nov 01/03

FIG. & ITEM	PART NO.	AIRLINE PART NUMBER	NOMENCLATURE 1234567	EFF CODE	QTY PER ASSY
05-365	113T1343-1		.RETAINER-BRG (USED ON ITEMS 1, 1B, 1D, 1E)	C,E,A A	1
-365A	113T1343-1		.RETAINER-BRG (LIMITED)	S	1
-365B	113T1343-1		.RETAINER-BRG (OPT ITEM 365C) (USED ON ITEMS 1A, 1C, 1G)	C,E,A A,A S-AU	1
-365C	113T1783-2		.RETAINER-BRG (OPT ITEM 365B) (USED ON ITEMS 1A, 1C, 1G)	C,E,A A,A S-AU	1
-365D	113T1343-1		.RETAINER-BRG (LIMITED) (OPT ITEM 365E)	S	1
-365E	113T1783-2		.RETAINER-BRG (LIMITED) (OPT ITEM 365D)	S	1
-370	113T1343-2		.RETAINER-BRG (USED ON ITEMS 5, 5B, 5D, 5E)	D,F,A B	1
-370A	113T1343-2		.RETAINER-BRG (LIMITED)	T	1
-370B	113T1343-2		.RETAINER-BRG (OPT ITEM 370C) (USED ON ITEMS 5A, 5C, 5G)	D,F,A B,A V-AX	1
-370C	113T1783-2		.RETAINER-BRG (OPT ITEM 370B) (USED ON ITEMS 5A, 5C, 5G)	D,F,A B,A V-AX	1
-370D	113T1343-2		.RETAINER-BRG (LIMITED) (OPT ITEM 370E)	T	1
-370E	113T1783-2		.RETAINER-BRG (LIMITED) (OPT ITEM 370D)	T	1
375	113T1343-5		.RETAINER ASSY-RING (USED ON ITEMS 1, 1B, 1D, 1E)	C,E,A A	1
-375A	113T1343-5		.RETAINER ASSY-RING (LIMITED)	S	1

57-53-31

 ILLUSTRATED PARTS LIST
 01.1 Page 1094N
 Nov 01/03


BOEING
 COMPONENT
 MAINTENANCE MANUAL

FIG. & ITEM	PART NO.	AIRLINE PART NUMBER	NOMENCLATURE 1234567	EFF CODE	QTY PER ASSY
05- -375B	113T1343-5		.RETAINER ASSY-RING (OPT ITEM 375C) (USED ON ITEMS 1A, 1C, 1G)	C,E,A A,A S-AU	1
-375C	113T1783-3		.RETAINER ASSY-RING (OPT ITEM 375B) (USED ON ITEMS 1A, 1C, 1G)	C,E,A A,A S-AU	1
-375D	113T1343-5		.RETAINER ASSY-RING (LIMITED) (OPT ITEM 375E)	S,T	1
-375E	113T1783-3		.RETAINER ASSY-RING (LIMITED) (OPT ITEM 375D)	S,T	1
-380	113T1343-6		.RETAINER ASSY-RING (USED ON ITEMS 5, 5B, 5D, 5E)	D,F,A B	1
-380A	113T1343-6		.RETAINER ASSY-RING (LIMITED)	T	1
-380B	113T1783-3		.RETAINER ASSY-RING (OPT ITEM 380C) (USED ON ITEMS 5A, 5C, 5G)	D,F,A B,A V-AX	1
-380C	113T1783-6		.RETAINER ASSY-RING (OPT ITEM 380B) (USED ON ITEMS 5A, 5C, 5G)	D,F,A B,A V-AX	1
385	MS15001-1		..FITTING	C-F,S ,T,AA ,AB,A S-AX	1
390	113T1343-3		..RETAINER-BRG (USED ON ITEMS 375, 375A, 375B, 375D)	C-F,S ,T,AA ,AB,A S-AU	1
-390A	113T1783-8		..RETAINER-BRG (USED ON ITEMS 375C, 375E, 380B)	C-F,S ,T,AA ,AB,A S-AX	1
-395	113T1343-4		..RETAINER-BRG (USED ON ITEMS 380, 380A)	D,F,T ,AB,A V-AX	1
400	113T1343-8		.RETAINER ASSY-RING (USED ON ITEMS 1, 1B, 1D, 1E)	C,E,A A	1

57-53-31

 ILLUSTRATED PARTS LIST
 01.1 Page 10940
 Nov 01/03

FIG. & ITEM	PART NO.	AIRLINE PART NUMBER	NOMENCLATURE 1234567	EFF CODE	QTY PER ASSY
05-					
-400A	113T1343-8		.RETAINER ASSY-RING (LIMITED)	S	1
-400B	113T1343-8		.RETAINER ASSY-RING (OPT ITEM 400J) (USED ON ITEM 1A)	C,E	1
-400C	113T1783-4		DELETED		
-400D	113T1343-8		.RETAINER ASSY-RING (LIMITED) (OPT ITEM 400H)	S,T	1
-400E	113T1783-4		DELETED		
-400F	113T1343-8		.RETAINER ASSY-RING (OPT ITEM 400G) (USED ON ITEMS 1C, 1G)	AA,A S-AU	1
-400G	113T1783-11		.RETAINER ASSY-RING (OPT ITEM 400F) (USED ON ITEMS 1C, 1G)	AA,A S-AU	1
-400H	113T1783-11		.RETAINER ASSY-RING (LIMITED) (OPT ITEM 400D)	S,T	1
-400J	113T1783-11		.RETAINER ASSY-RING (OPT ITEM 400B) (USED ON ITEM 1A)	C,E	1
-405	113T1343-7		.RETAINER ASSY-RING (USED ON ITEMS 5, 5B, 5D, 5E)	D,F,A B	1
-405A	113T1343-7		.RETAINER ASSY-RING (LIMITED)	T	1
-405B	113T1343-7		.RETAINER ASSY-RING (OPT ITEM 405C) (USED ON ITEMS 5A, 5C, 5G)	D,F,A B,A V-AX	1
-405C	113T1783-11		.RETAINER ASSY-RING (OPT ITEM 405B) (USED ON ITEMS 5A, 5C, 5G)	D,F,A B,A V-AX	1
410	MS15001-1		..FITTING	C-F,S ,T,AA ,AB,A S-AX	1
415	113T1343-9		..RETAINER-BRG (USED ON ITEMS 400, 400A, 400B, 400D, 400F)	C-F,S ,T,AA ,AB,A S-AU	1
-415A	113T1783-7		DELETED		

57-53-31

 ILLUSTRATED PARTS LIST
 01.1 Page 1094P
 Nov 01/03


BOEING
 COMPONENT
 MAINTENANCE MANUAL

FIG. & ITEM	PART NO.	AIRLINE PART NUMBER	NOMENCLATURE 1234567	EFF CODE	QTY PER ASSY
05- -415B	113T1783-12		..RETAINER-BRG (USED ON ITEMS 400G, 400H)	S,T,A A,AB, AS-AX	1
-420	113T1343-10		..RETAINER-BRG (USED ON ITEMS 405, 405A)	D,F,T ,AB,A V-AX	1
425	HL10VAZ10-22		.BOLT- (V60516) (SPEC BACB30MY10K22) (OPT B30MY10K22 (V97928))	C-F,S ,T,AS ,AV	2
-425A	HL10VAZ12-21		.BOLT- (V60516) (SPEC BACB30MY12K21) (OPT HL10VAZ12-21 (V73197))	AA,AB ,AS,A V	2
430	HL79-10		.COLLAR- (V5M902) (SPEC BACC30M10) (OPT HL79-10 (V73197)) (OPT HL79-10 (V92215)) (OPT 66014-10 (V56878)) (OPT HL79-10 (V56878))	C-F,S ,T	2
-430A	HL79-12		.COLLAR- (V5M902) (SPEC BACC30M12) (OPT HL79-12 (V73197)) (OPT HL79-12 (V92215)) (OPT 66014-12 (V56878)) (OPT HL79-12 (V56878))	AA,AB ,AS,A V	2

57-53-31

ILLUSTRATED PARTS LIST

01.1 Page 1094Q

Nov 01/03

FIG. & ITEM	PART NO.	AIRLINE PART NUMBER	NOMENCLATURE 1234567	EFF CODE	QTY PER ASSY
05-435	113T1239-1		.CAM-DOOR DRIVE	C,E,S	1
-435A	113T2025-1		.CAM-DOOR DRIVE (LIMITED) (USED ON ITEMS 1C, 1D)	AA	1
-435B	113T2025-3		DELETED		
-435C	113T2025-1		.CAM-DOOR DRIVE (LIMITED) (USED ON ITEMS 1C, 1D) (PRE SB 767-27-0154)	AA	1
-440	113T1239-2		.CAM-DOOR DRIVE	D,F,T	1
-440A	113T2025-2		.CAM-DOOR DRIVE (LIMITED) (USED ON ITEMS 5C, 5D)	AB	1
-440B	113T2025-4		DELETED		
-440C	113T2025-2		.CAM-DOOR DRIVE (LIMITED) (USED ON ITEMS 5C, 5D) (PRE SB 767-27-0154)	AB	1
445	113T1210-1		.SHAFT	C,E,S ,AA,A S-AU	1
R -446	113T1210-2		.SHAFT	D,F,T ,AB,A V-AX	1
R 448	BACB30NR6K14		.BOLT- (USED ON ITEMS 1G, 1H, 5G, 5H)	AA,AB ,AS,A V	1
R 449	BACB30NR6K23		.BOLT- (USED ON ITEMS 1G, 1H, 5G, 5H)	AA,AB ,AS,A V	1

57-53-31

 ILLUSTRATED PARTS LIST
 01.1 Page 1094R
 Nov 01/03


BOEING
 COMPONENT
 MAINTENANCE MANUAL

FIG. & ITEM	PART NO.	AIRLINE PART NUMBER	NOMENCLATURE 1234567	EFF CODE	QTY PER ASSY
05-					
R 450	113T1210-2		DELETED		
R 451	BACW10BP6AC		.WASHER- (USED ON ITEMS 1G, 1H, 5G, 5H)	AA,AB ,AS,A V	2
R 452	BACW10BP6AP		.WASHER- (USED ON ITEMS 1G, 1H, 5G, 5H)	AA,AB ,AS,A V	2
R 453	BRH10C6D		.NUT- (V52828) (SPEC BACN10JC6CD) (OPT H51650-6BAC (V15653)) (USED ON ITEMS 1G, 1H, 5G, 5H)	AA,AB ,AS,A V	2
455	113T2025-3		.CAM ASSY-DOOR DRIVE	AS	1
-455A	113T2025-3		.CAM ASSY-DOOR DRIVE (LIMITED) (USED ON ITEMS 1C, 1D) (POST SB 767-27-0154)	AA	1
-460	113T2025-4		.CAM ASSY-DOOR DRIVE	AV	1
-460A	113T2025-4		.CAM ASSY-DOOR DRIVE (LIMITED) (USED ON ITEMS 5C, 5D) (POST SB 767-27-0154)	AB	1
465	BACB30LJ3K17		..BOLT	AA,AB ,AS,A V	2
470	BACW10BP3AC		..WASHER	AA,AB ,AS,A V	2
475	BACW10BP3AP		..WASHER	AA,AB ,AS,A V	2

57-53-31

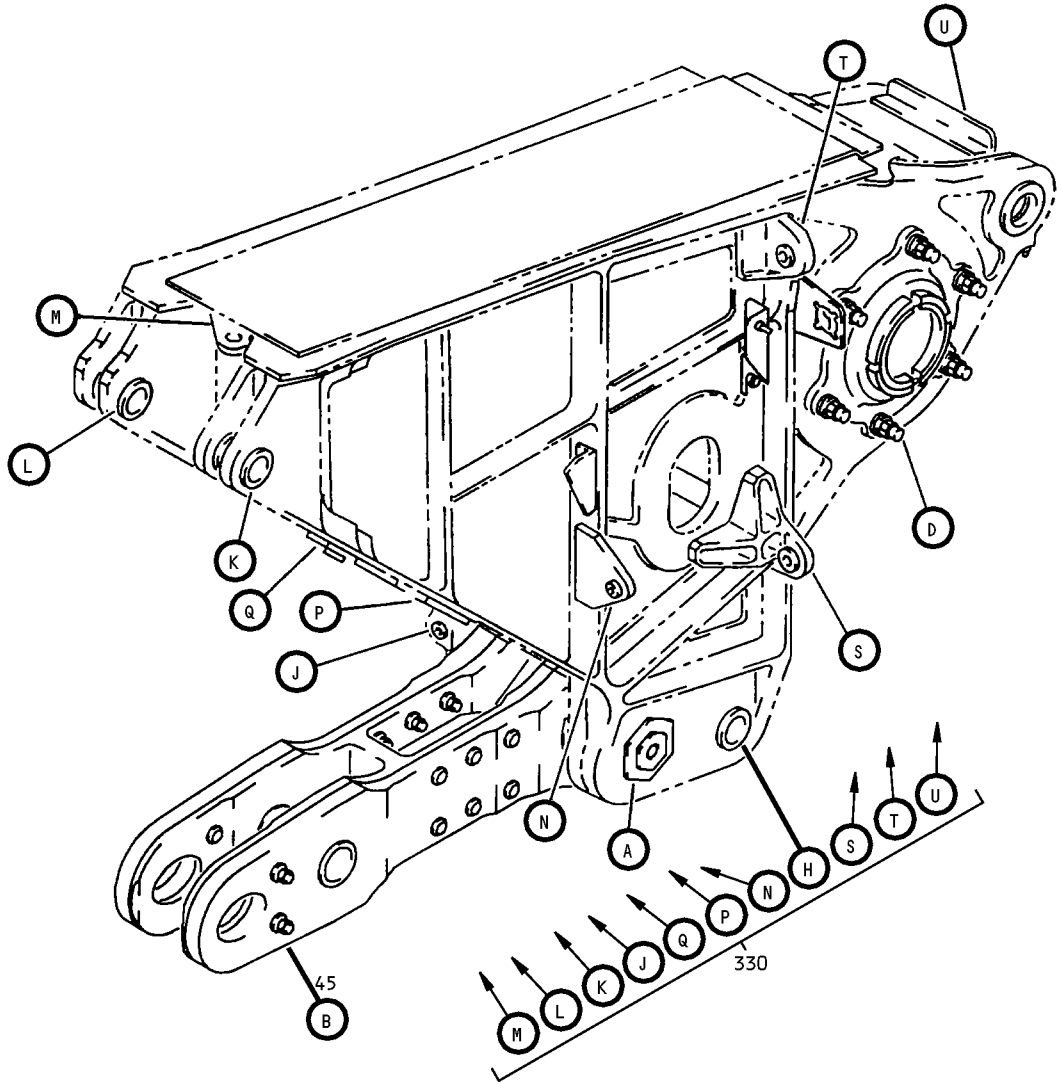
 ILLUSTRATED PARTS LIST
 01.1 Page 1094S
 Nov 01/03

FIG. & ITEM	PART NO.	AIRLINE PART NUMBER	NOMENCLATURE	EFF CODE	QTY PER ASSY
			1234567		
05-480	BRH10C3D		..NUT- (V52828) (SPEC BACN10JC3CD) (OPT T6C1032JCD (V11815)) (OPT NS202486-02 (V80539)) (OPT 102LH9075-3W (V72962)) (OPT H51650-3BAC (V15653))	AA,AB ,AS,A V	2
485	113T2025-7		..FITTING	AA,AS	1
-490	113T2025-8		..FITTING	AB,AV	1
495	113T2025-5		..CAM	AA,AS	1
-500	113T2025-6		..CAM	AB,AV	1

- Item Not Illustrated

57-53-31

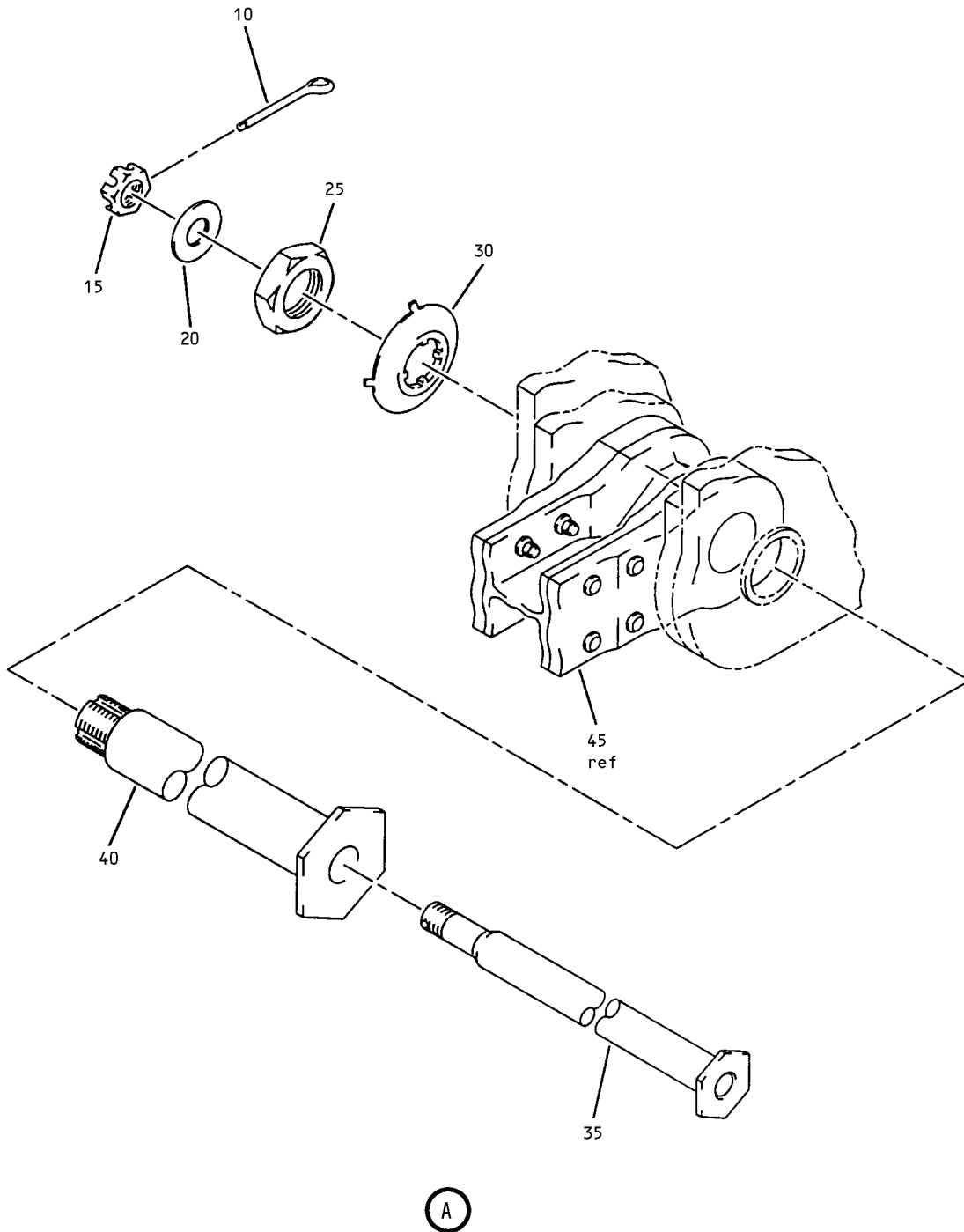
 ILLUSTRATED PARTS LIST
 01.1 Page 1094T
 Nov 01/03



Inboard Trailing Edge Flap Support Assembly
Figure 6 (Sheet 1)

57-53-31

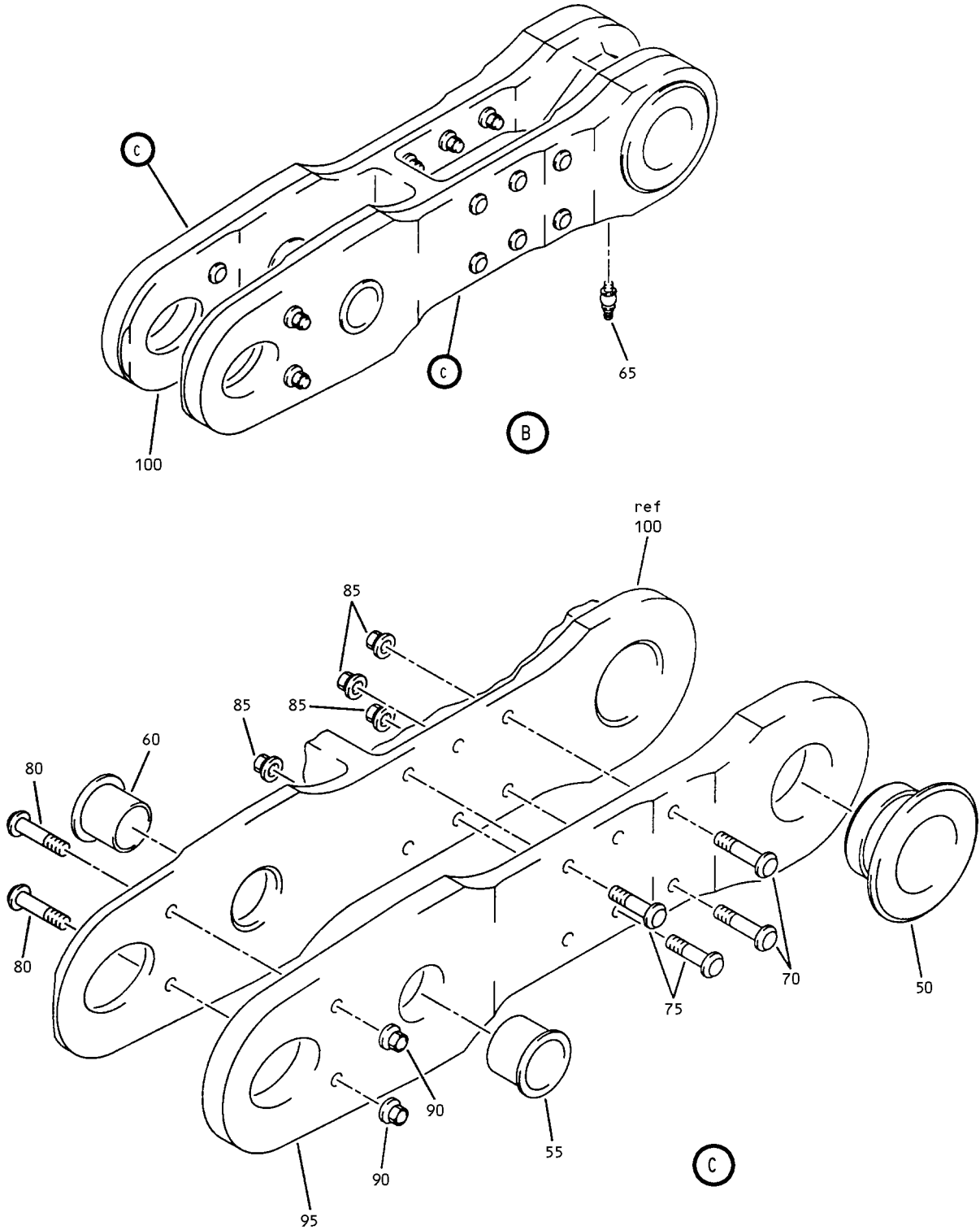
ILLUSTRATED PARTS LIST
01.1 Page 1094U
Nov 01/03



Inboard Trailing Edge Flap Support Assembly
Figure 6 (Sheet 2)

57-53-31

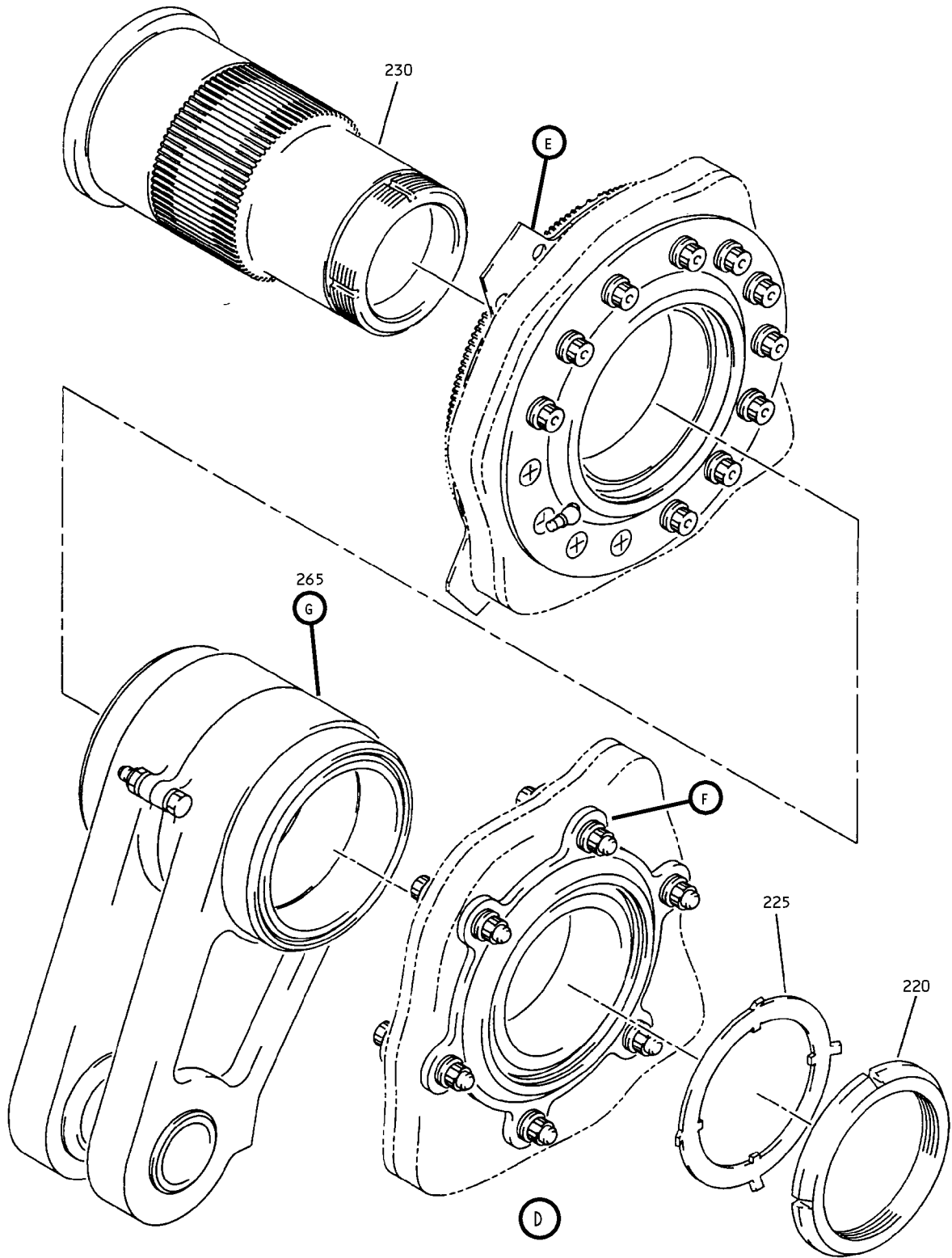
ILLUSTRATED PARTS LIST
01.1 Page 1094V
Nov 01/03



Inboard Trailing Edge Flap Support Assembly
Figure 6 (Sheet 3)

57-53-31

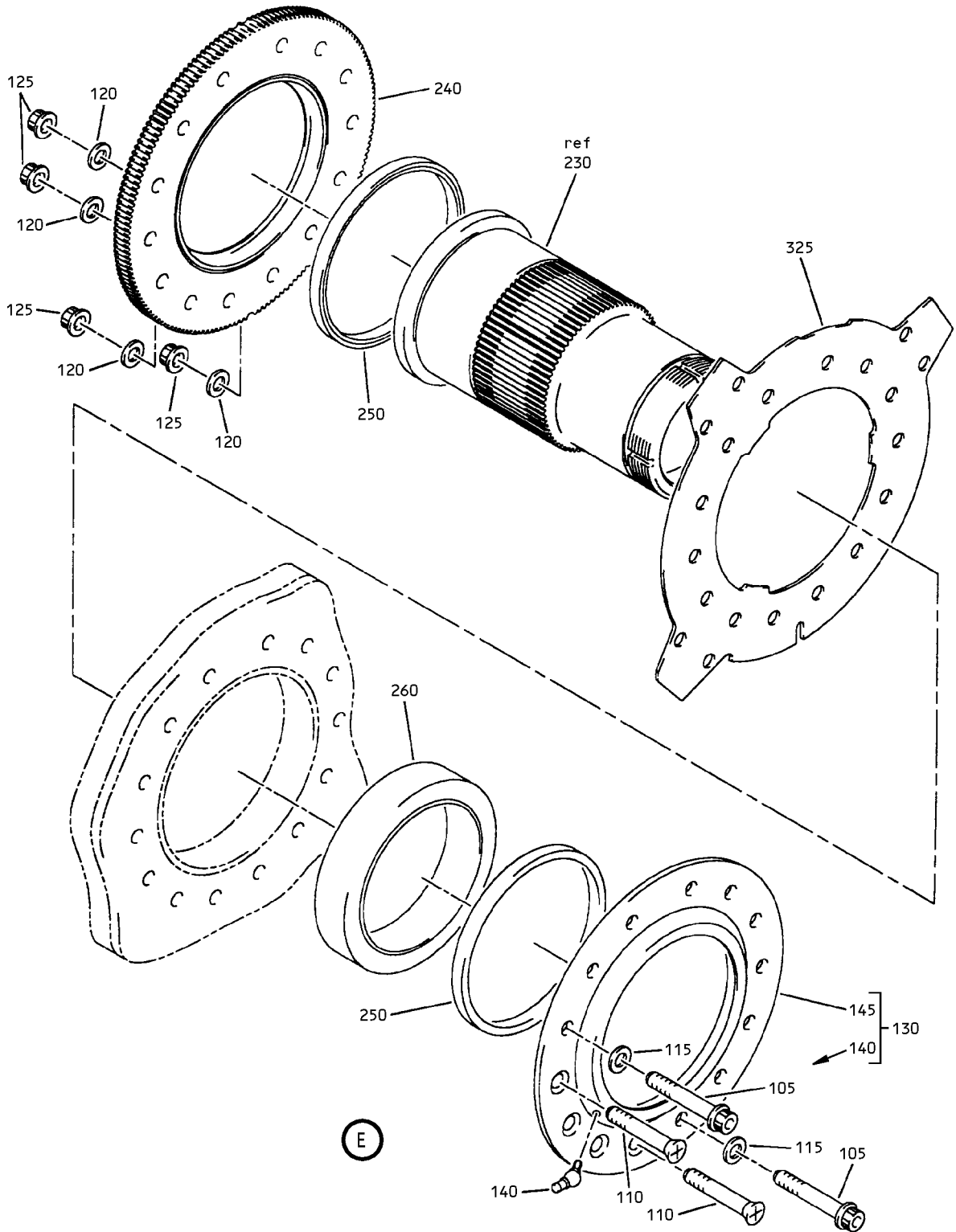
ILLUSTRATED PARTS LIST
01.1 Page 1094W
Nov 01/03



Inboard Trailing Edge Flap Support Assembly
Figure 6 (Sheet 4)

57-53-31

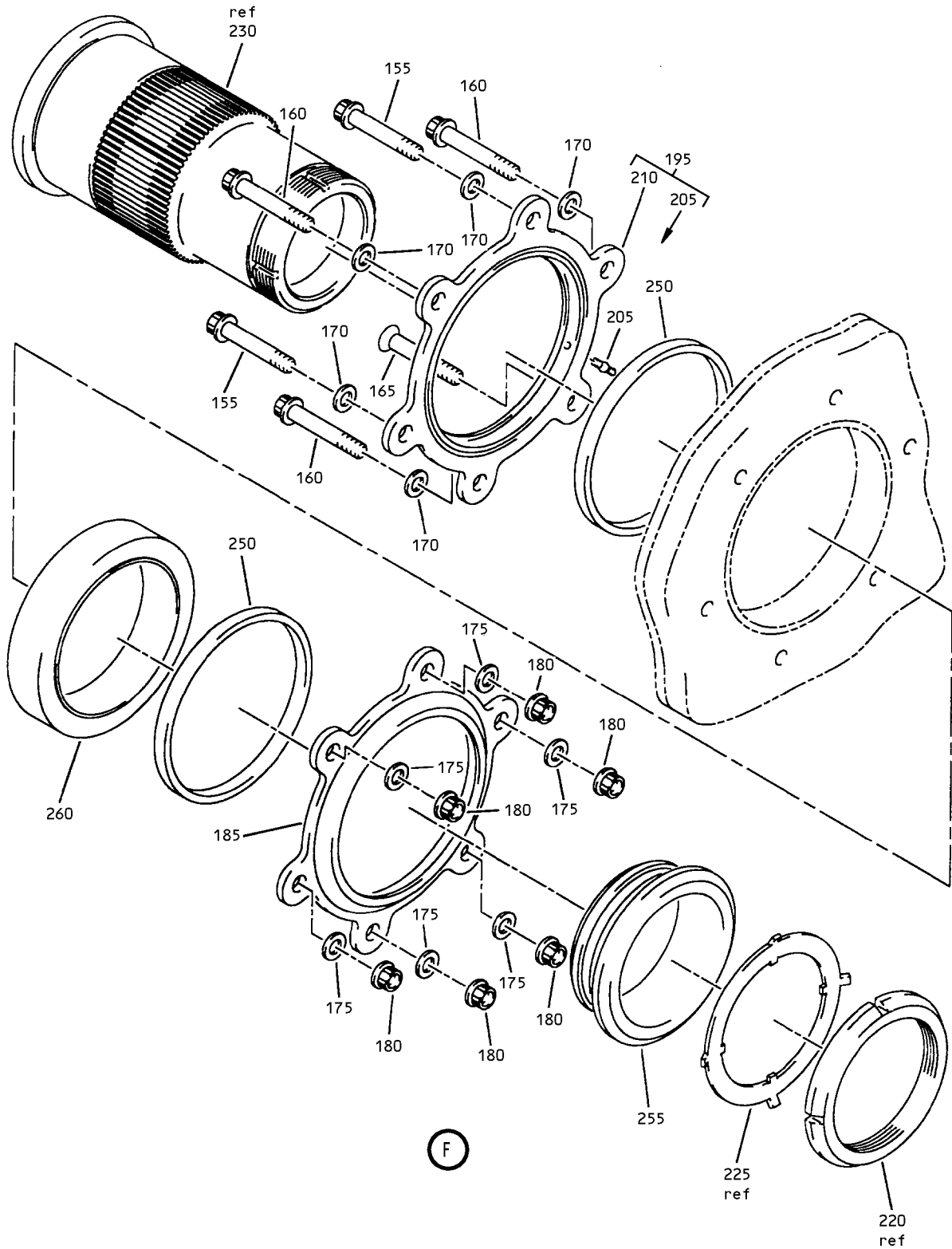
ILLUSTRATED PARTS LIST
01.1 Page 1094X
Nov 01/03



Inboard Trailing Edge Flap Support Assembly
Figure 6 (Sheet 5)

57-53-31

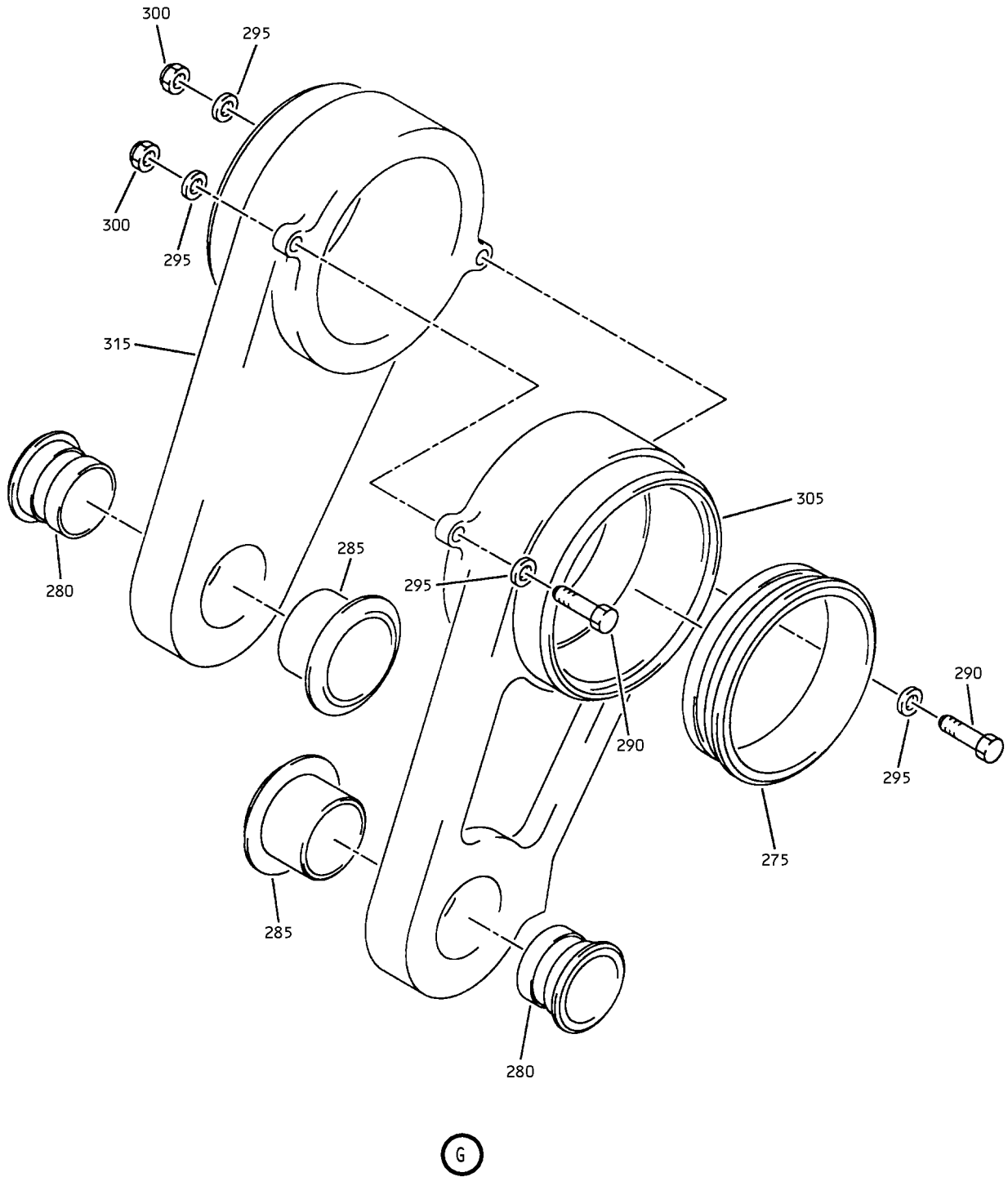
ILLUSTRATED PARTS LIST
01.1 Page 1094Y
Nov 01/03



Inboard Trailing Edge Flap Support Assembly
 Figure 6 (Sheet 6)

57-53-31

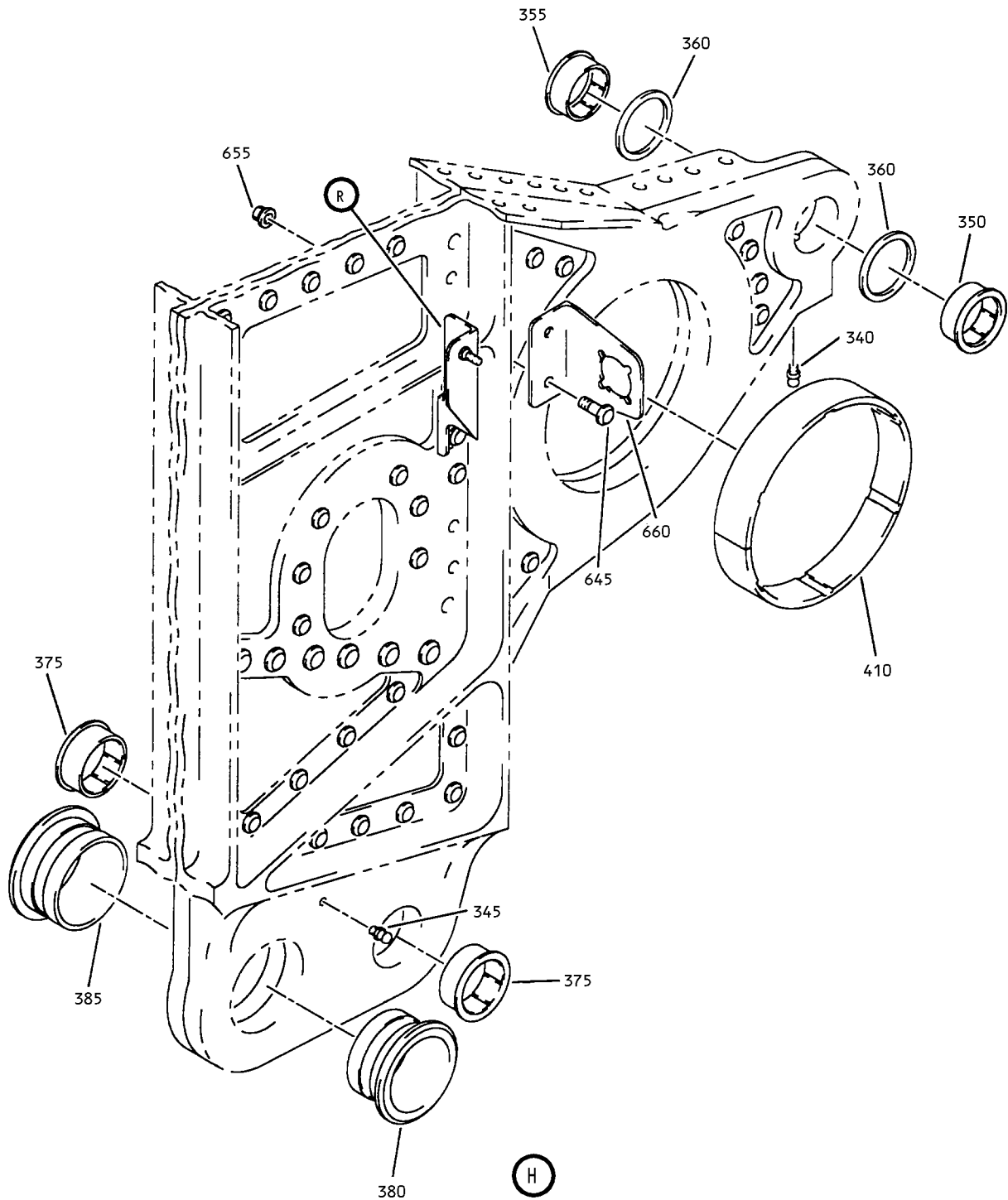
ILLUSTRATED PARTS LIST
 01.1 Page 1094Z
 Nov 01/03



Inboard Trailing Edge Flap Support Assembly
Figure 6 (Sheet 7)

57-53-31

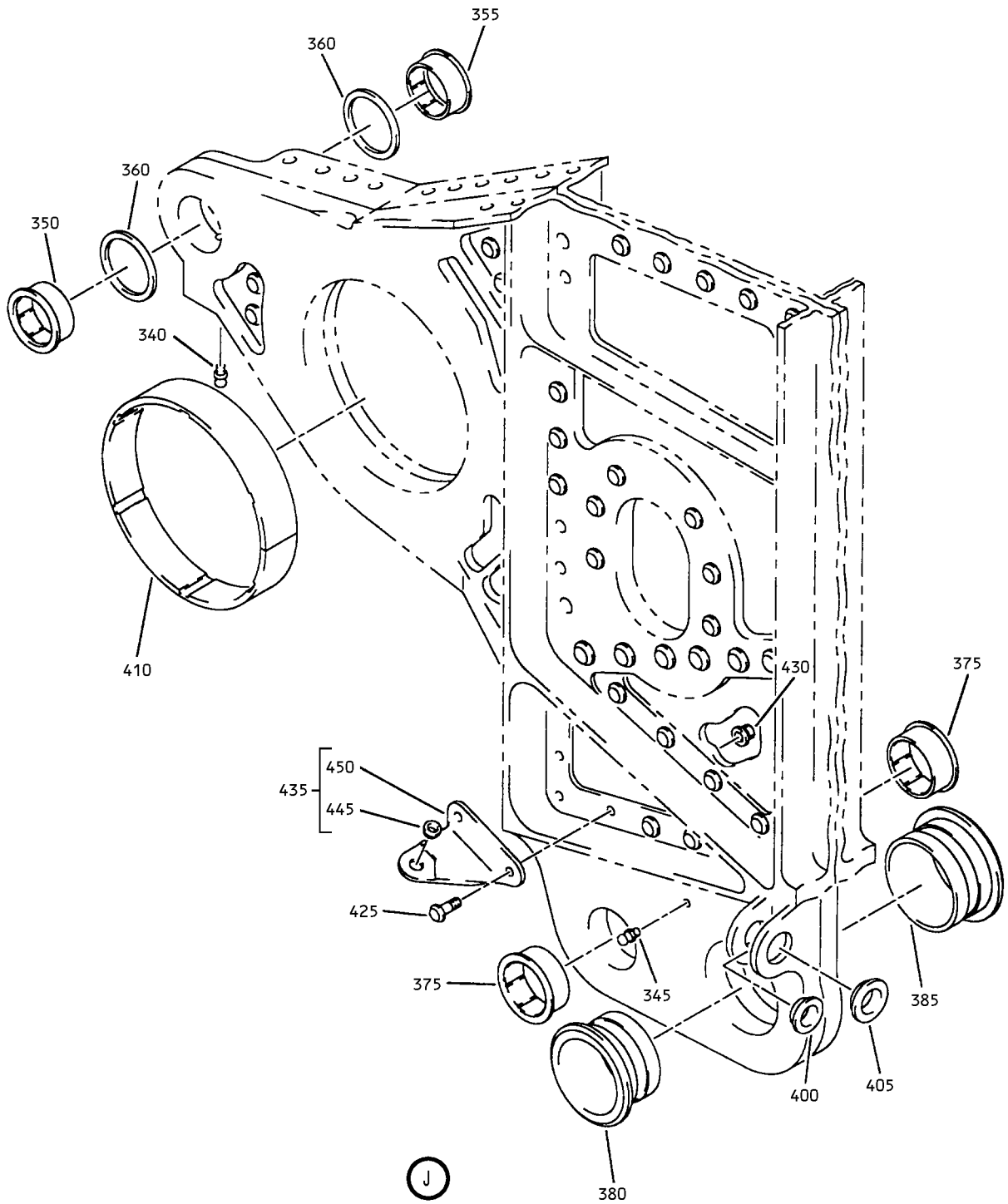
ILLUSTRATED PARTS LIST
01.1 Page 1095
Nov 01/03



Inboard Trailing Edge Flap Support Assembly
Figure 6 (Sheet 8)

57-53-31

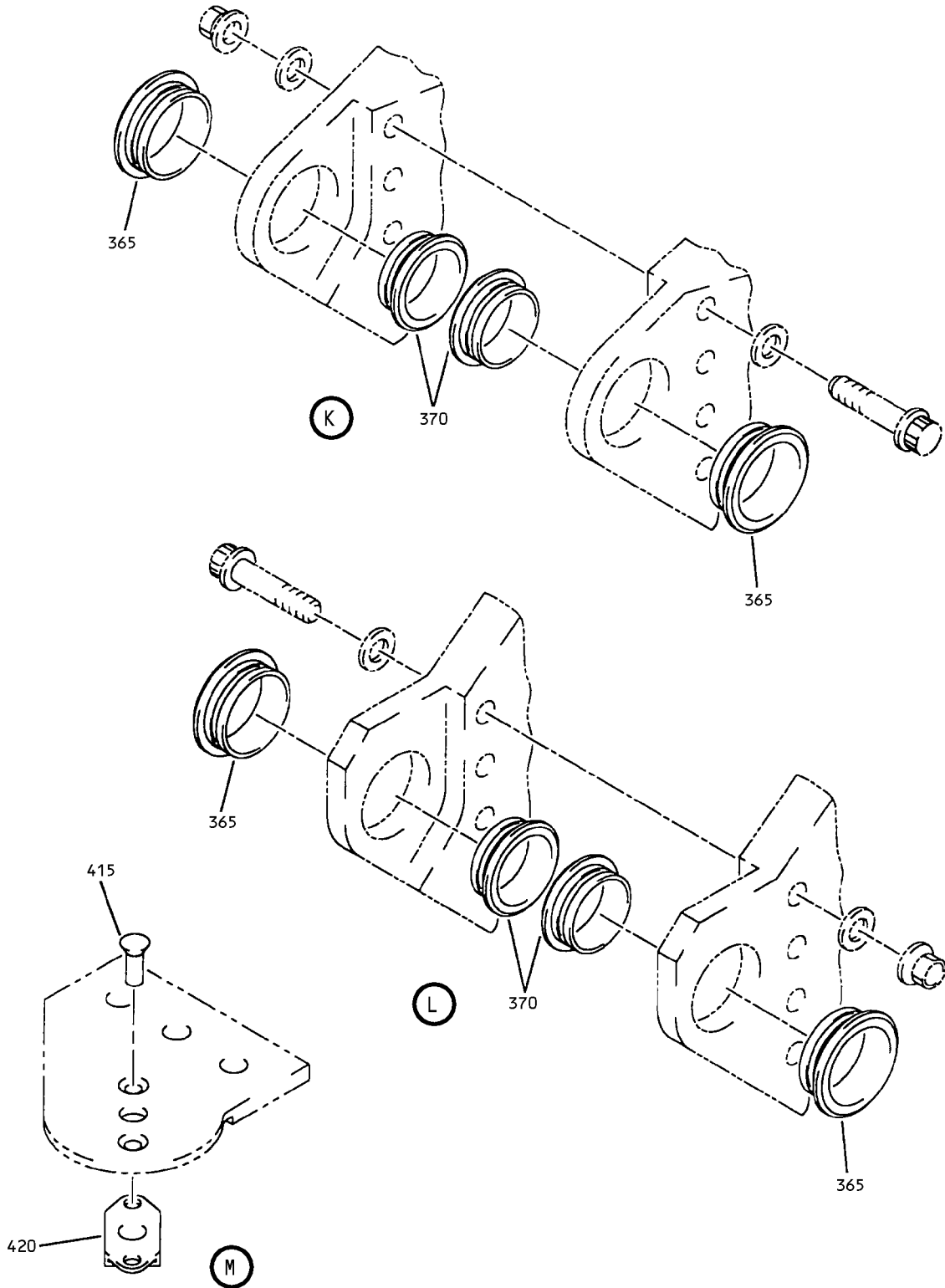
ILLUSTRATED PARTS LIST
01.1 Page 1096
Nov 01/03



Inboard Trailing Edge Flap Support Assembly
Figure 6 (Sheet 9)

57-53-31

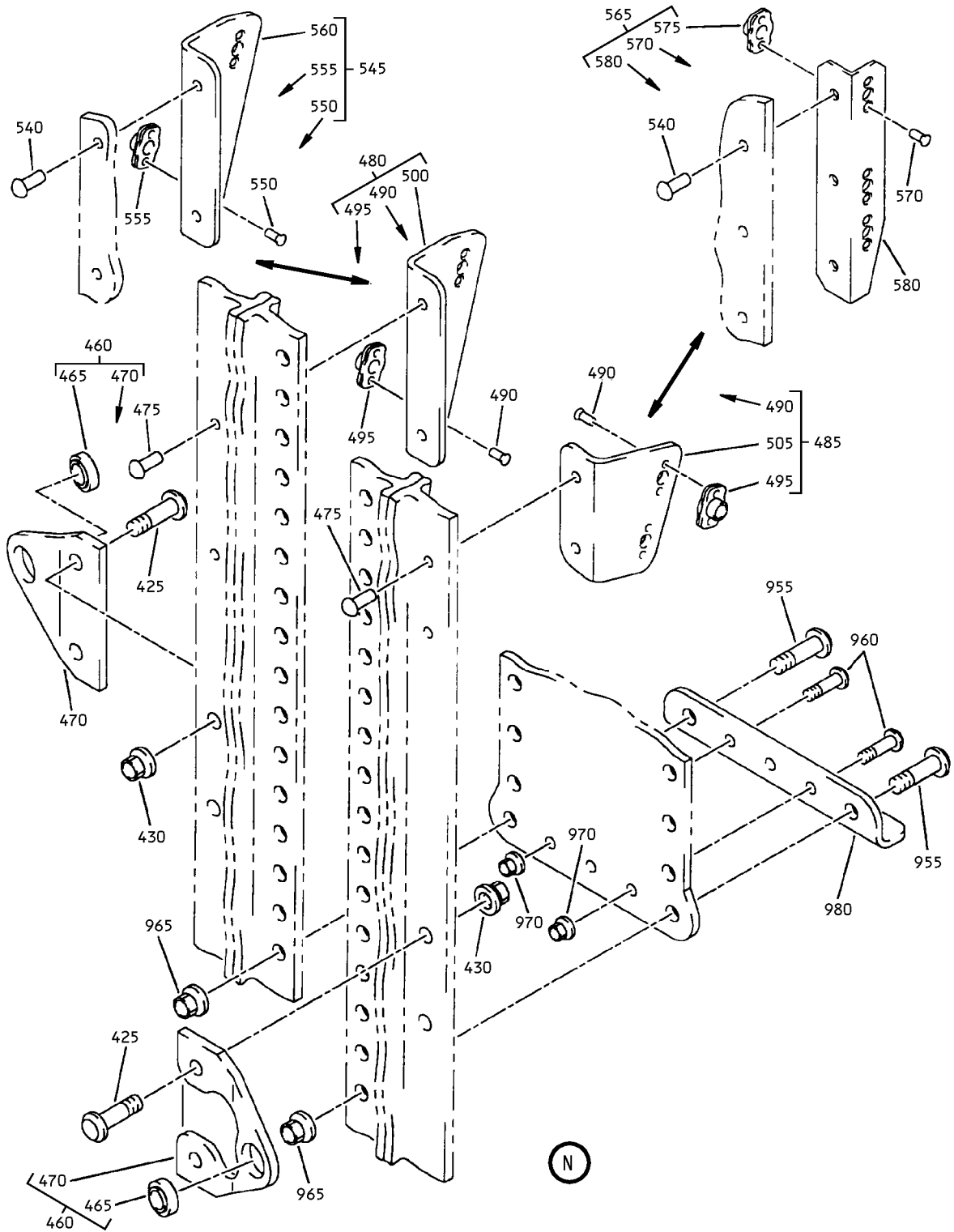
ILLUSTRATED PARTS LIST
01.1 Page 1096A
Nov 01/03



Inboard Trailing Edge Flap Support Assembly
Figure 6 (Sheet 10)

57-53-31

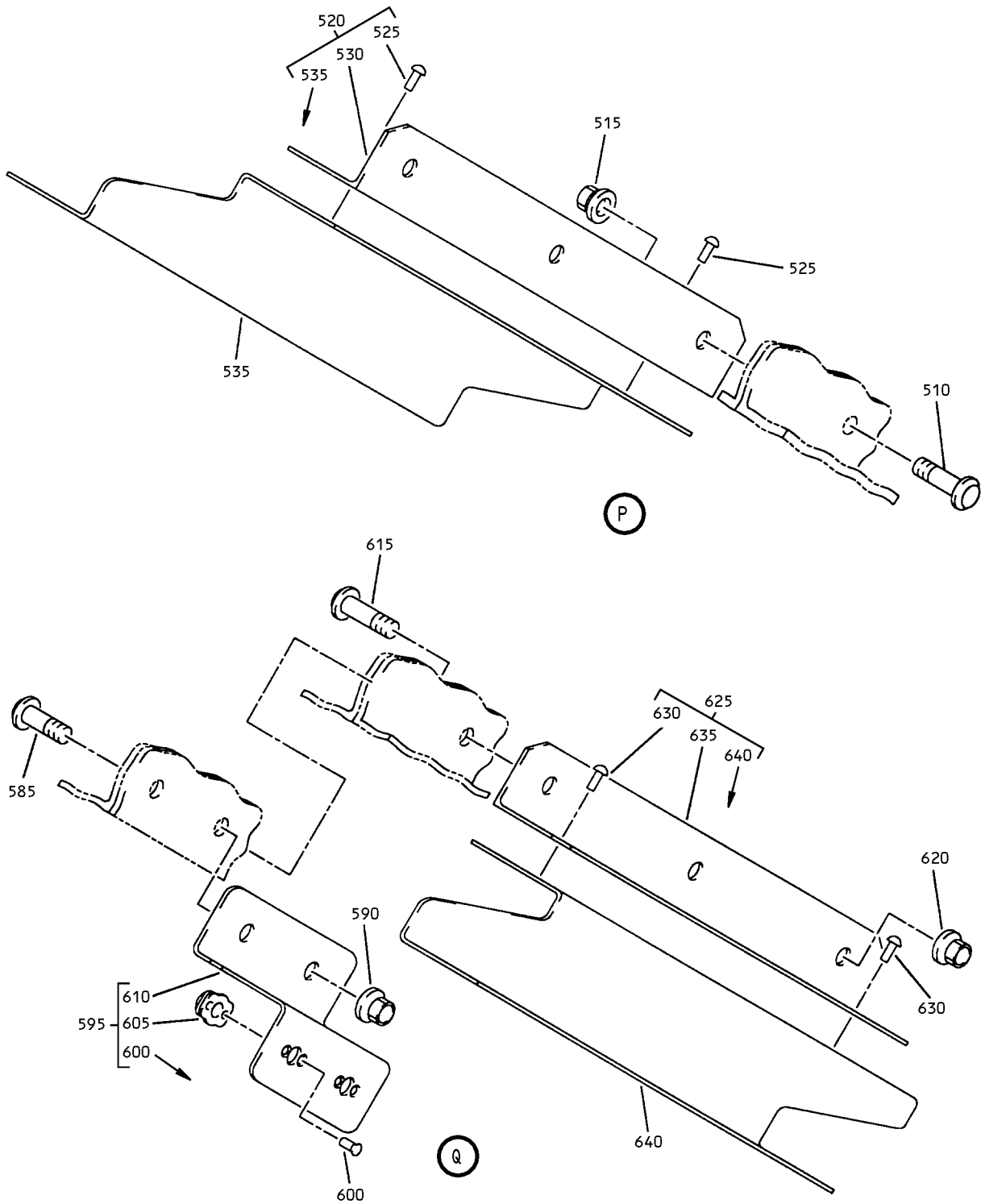
ILLUSTRATED PARTS LIST
01.1 Page 1096B
Nov 01/03



Inboard Trailing Edge Flap Support Assembly
Figure 6 (Sheet 11)

57-53-31

ILLUSTRATED PARTS LIST
01.1 Page 1096C
Nov 01/03

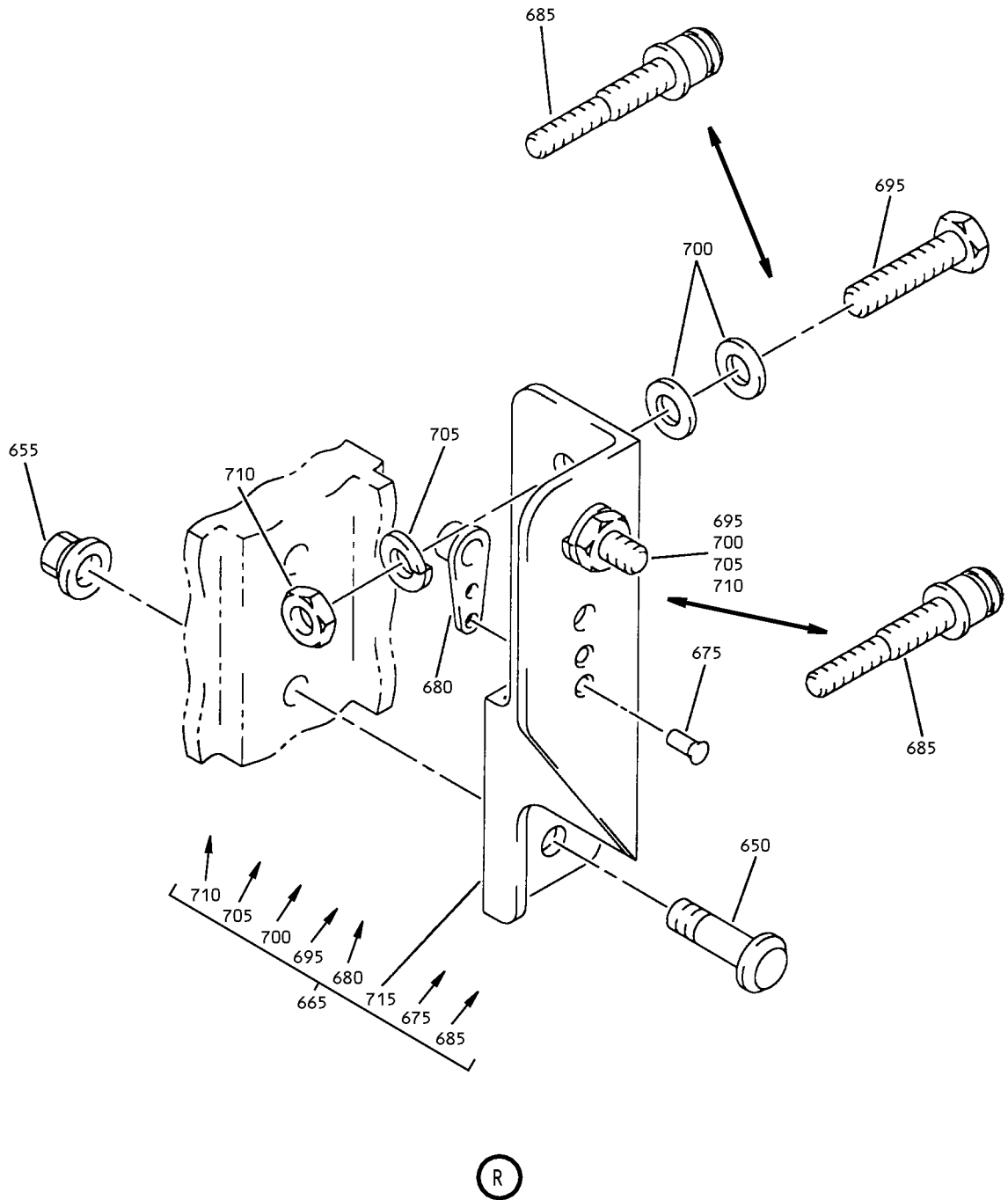


Inboard Trailing Edge Flap Support Assembly
 Figure 6 (Sheet 12)

57-53-31

ILLUSTRATED PARTS LIST
 01.1 Page 1096D
 Nov 01/03

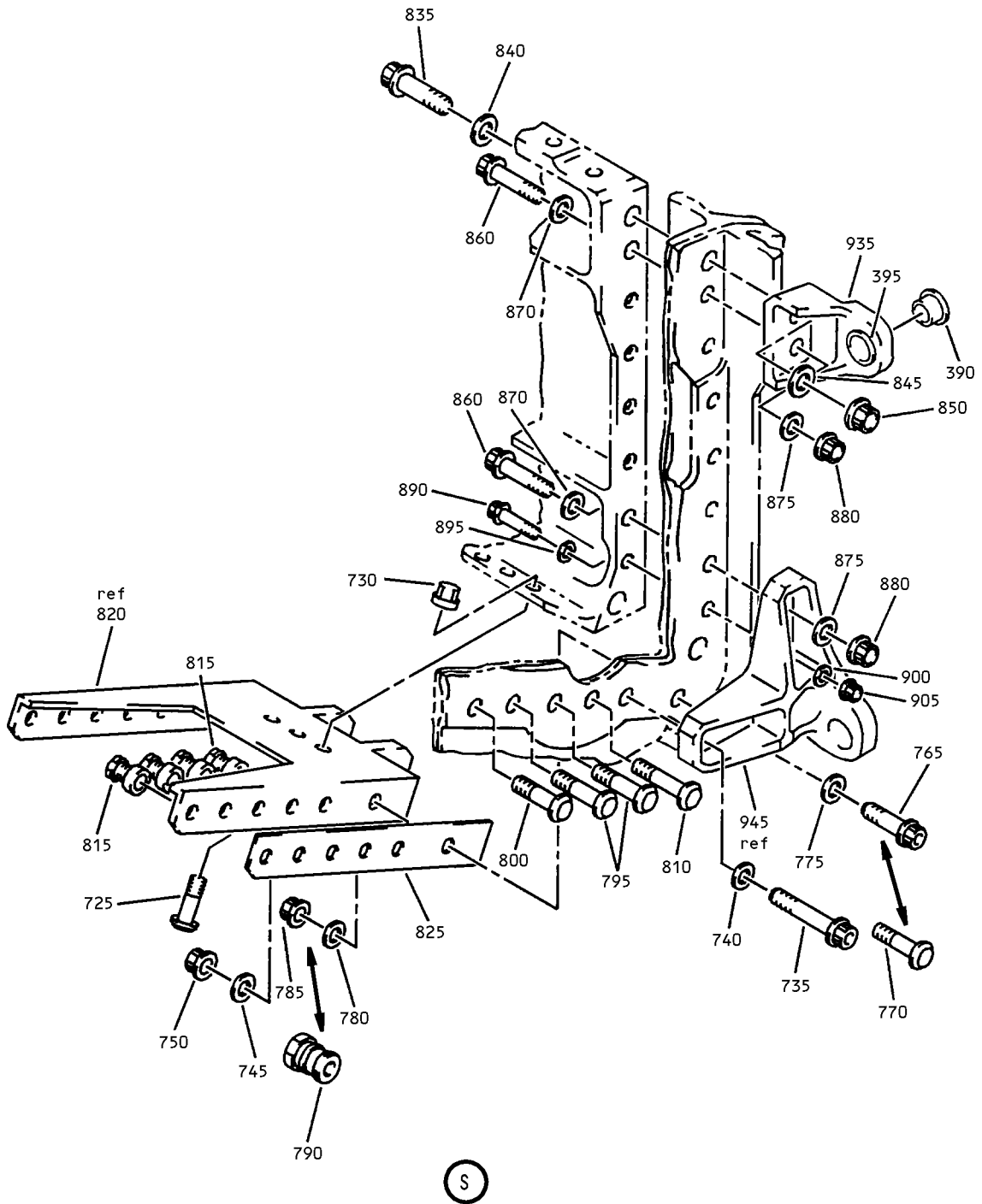
L08737



Inboard Trailing Edge Flap Support Assembly
 Figure 6 (Sheet 13)

57-53-31

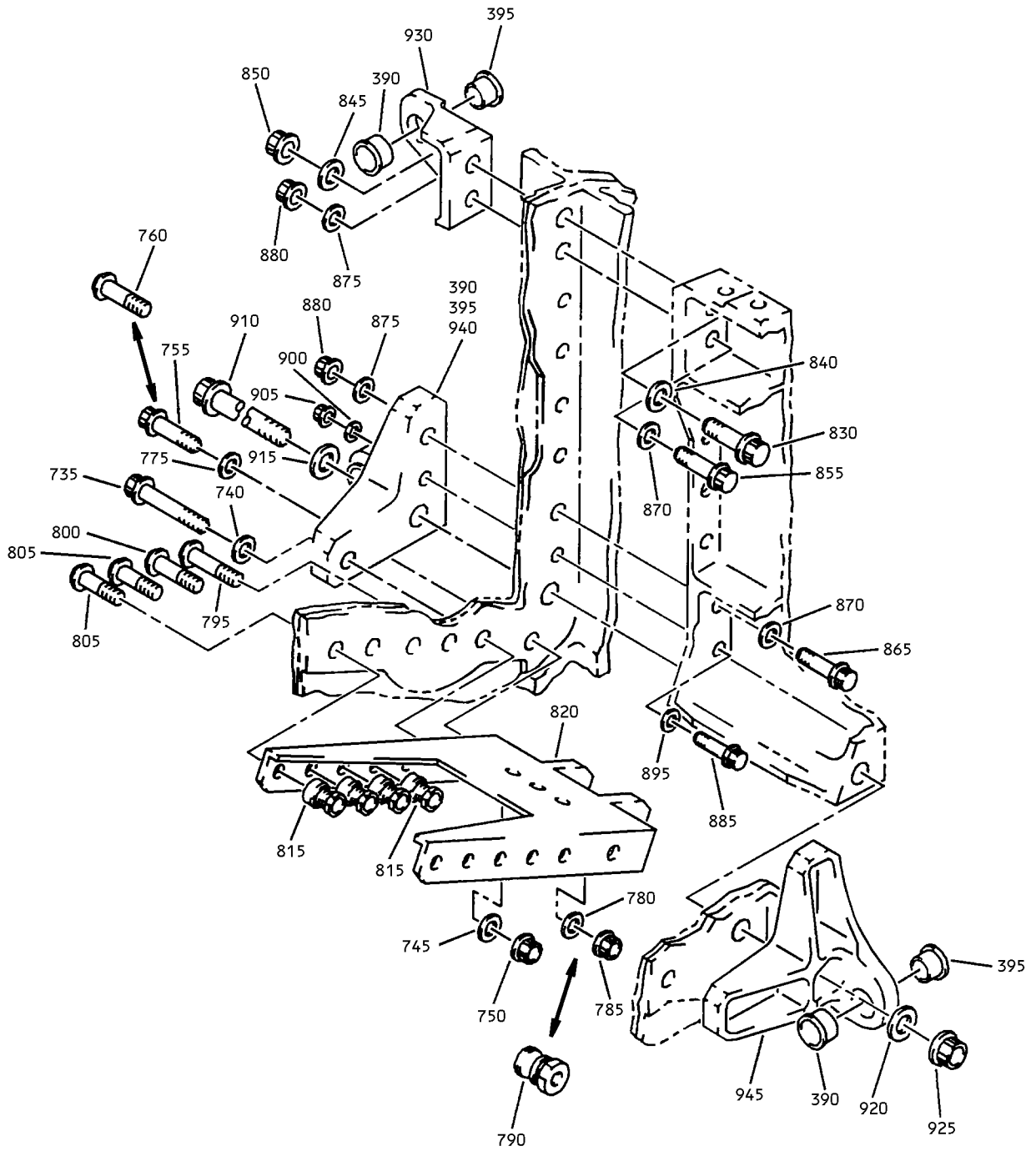
ILLUSTRATED PARTS LIST
 01.1 Page 1096E
 Nov 01/03



Inboard Trailing Edge Flap Support Assembly
 Figure 6 (Sheet 14)

57-53-31

ILLUSTRATED PARTS LIST
 01.1 Page 1096F
 Nov 01/03

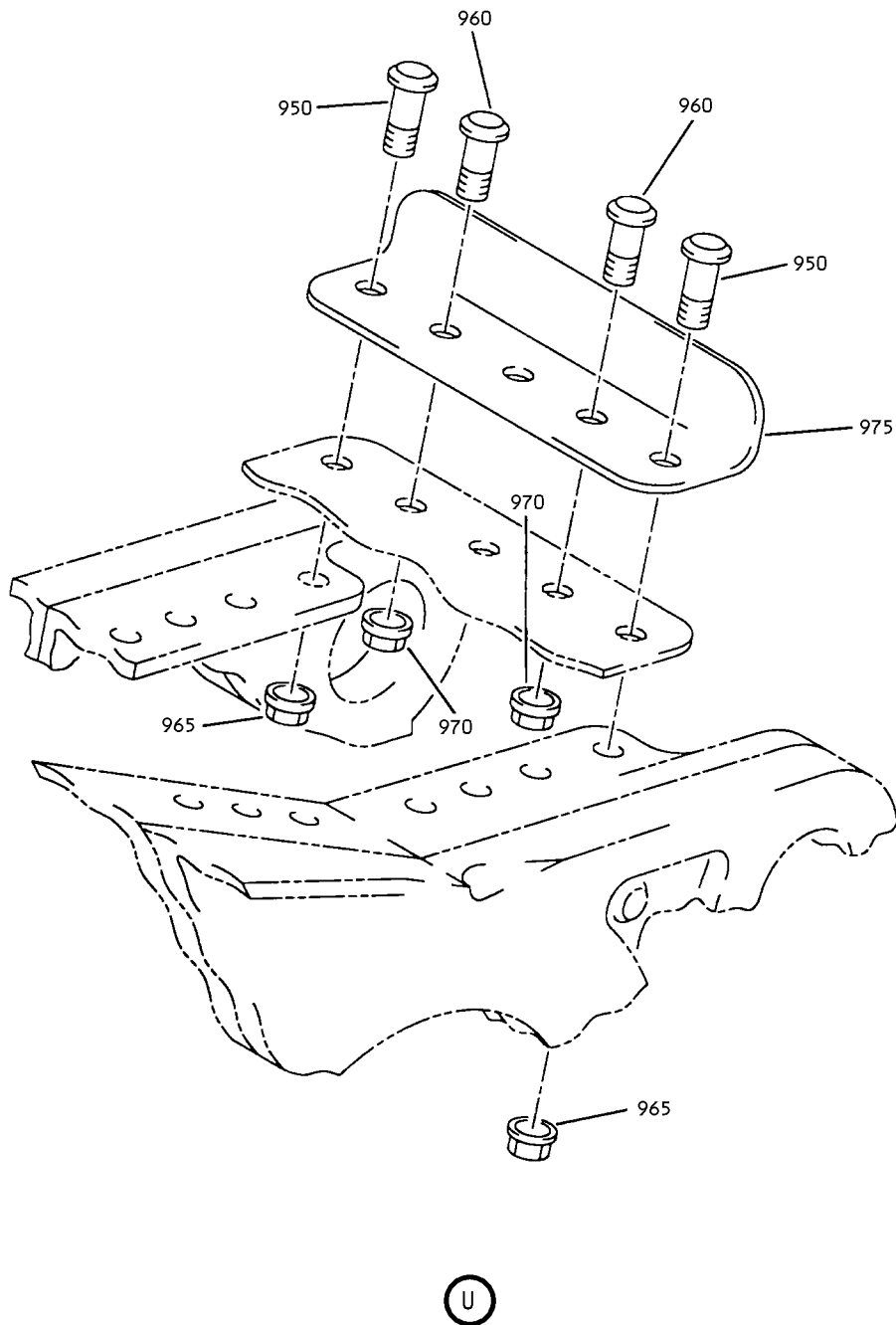


(T)

Inboard Trailing Edge Flap Support Assembly
 Figure 6 (Sheet 15)

57-53-31

ILLUSTRATED PARTS LIST
 01.1 Page 1096G
 Nov 01/03



Inboard Trailing Edge Flap Support Assembly
Figure 6 (Sheet 16)

57-53-31

ILLUSTRATED PARTS LIST
01.1 Page 1096H
Nov 01/03


BOEING
 COMPONENT
 MAINTENANCE MANUAL

FIG. & ITEM	PART NO.	AIRLINE PART NUMBER	NOMENCLATURE 1234567	EFF CODE	QTY PER ASSY
06-					
-1A	113T1200-241		FIXED ASSY-SPRT 3	BA	RF
-1B	113T1200-245		FIXED ASSY-SPRT 3	BJ	RF
-1C	113T1200-249		FIXED ASSY-SPRT 3	BL	RF
-5	113T1200-242		FIXED ASSY-SPRT 6	BB	RF
-5A	113T1200-246		FIXED ASSY-SPRT 6	BK	RF
-5B	113T1200-250		FIXED ASSY-SPRT 6	BM	RF
10	BACP18BC04A20P		.PIN-COTTER	BA, BB , BJ-B M	1
15	BACN10JD120AU		.NUT	BA, BB , BJ-B M	1
20	113T1254-14		.WASHER-SPECIAL	BA, BB , BJ-B M	1
25	113T1262-5		.NUT-SPECIAL	BA, BB , BJ-B M	1
30	113T1254-7		.WASHER-SPECIAL	BA, BB , BJ-B M	1
35	113T1264-68		.PIN-INNER	BA, BB , BJ-B M	1
40	113T1263-10		.PIN-OUTER	BA, BB , BJ-B M	1
45	113T1497-11		.LINK ASSY-TNSN	BA, BB , BJ-B M	1
50	113T1347-57		..BUSHING	BA, BB , BJ-B M	2
55	113T1347-143		..BUSHING	BA, BB , BJ-B M	2

57-53-31

ILLUSTRATED PARTS LIST

01.1 Page 1096I

Nov 01/03

FIG. & ITEM	PART NO.	AIRLINE PART NUMBER	NOMENCLATURE 1234567	EFF CODE	QTY PER ASSY
06-60	113T1347-144		..BUSHING	BA, BB , BJ-B M	2
65	MS15001-1		..FITTING-LUBE	BA, BB , BJ-B M	1
70	HL1012AZ10-20		..BOLT- (VOPTK6) (SPEC BACB30NX10K20) (OPT HL12VAZ10-20 (V73197)) (OPT HL12VAZ10-20 (V92215)) (OPT HL12VAZ10-20 (V97928)) (OPT L802-10K20 (V06725)) (OPT HL12VAZ10-20 (V56878)) (OPT HL1012AZ10-20 (V06725)) (OPT HL1012AZ10-20 (V06950)) (OPT HL1012AZ10-20 (V17446)) (OPT HL1012AZ10-20 (V56878)) (OPT HL1012AZ10-20 (V60516)) (OPT HL1012AZ10-20 (V73197)) (OPT HL1012AZ10-20 (V97928))	BA, BB , BJ-B M	4

57-53-31

 ILLUSTRATED PARTS LIST
 01.1 Page 1096J
 Nov 01/03

BOEING
 COMPONENT
 MAINTENANCE MANUAL

FIG. & ITEM	PART NO.	AIRLINE PART NUMBER	NOMENCLATURE 1234567	EFF CODE	QTY PER ASSY
06-75	HL1012AZ10-16		..BOLT- (VOPTK6) (SPEC BACB30NX10K16) (OPT HL12VAZ10-16 (V73197)) (OPT HL12VAZ10-16 (V92215)) (OPT HL12VAZ10-16 (V97928)) (OPT L802-10K16 (V06725)) (OPT HL12VAZ10-16 (V56878)) (OPT HL1012AZ10-16 (V06725)) (OPT HL1012AZ10-16 (V06950)) (OPT HL1012AZ10-16 (V17446)) (OPT HL1012AZ10-16 (V56878)) (OPT HL1012AZ10-16 (V60516)) (OPT HL1012AZ10-16 (V73197)) (OPT HL1012AZ10-16 (V97928))	BA, BB, BJ-B, M	8

57-53-31

ILLUSTRATED PARTS LIST
 01.1 Page 1096K
 Nov 01/03

FIG. & ITEM	PART NO.	AIRLINE PART NUMBER	NOMENCLATURE 1234567	EFF CODE	QTY PER ASSY
06-80	HL1012AZ12-19		..BOLT- (VOPTK6) (SPEC BACB30NX12K19) (OPT HL12VAZ12-19 (V73197)) (OPT HL12VAZ12-19 (V92215)) (OPT HL12VAZ12-19 (V97928)) (OPT L802-12K19 (V06725)) (OPT HL12VAZ12-19 (V56878)) (OPT HL1012AZ12-19 (V06725)) (OPT HL1012AZ12-19 (V06950)) (OPT HL1012AZ12-19 (V17446)) (OPT HL1012AZ12-19 (V56878)) (OPT HL1012AZ12-19 (V60516)) (OPT HL1012AZ12-19 (V73197)) (OPT HL1012AZ12-19 (V97928))	BA, BB , BJ-B M	4
85	BACN10YT5CD		..NUT	BA, BB , BJ, B K, BM	12
90	BACN10YT6CD		..NUT	BA, BB , BJ, B K, BM	4
95	113T1497-13		..LINK-OUTER	BA, BB , BJ, B K, BM	2
100	113T1497-15		..LINK-CTR	BA, BB , BJ-B M	1
105	BACB30MR7K29		.BOLT	BA, BB , BJ-B M	10
110	BACB30NN7K29		.BOLT	BA, BB , BJ-B M	4

57-53-31

ILLUSTRATED PARTS LIST

01.1 Page 1096L

Nov 01/03


BOEING
 COMPONENT
 MAINTENANCE MANUAL

FIG. & ITEM	PART NO.	AIRLINE PART NUMBER	NOMENCLATURE 1234567	EFF CODE	QTY PER ASSY
06-115	BACW10BP7CD		.WASHER	BA, BB ,BJ-B M	10
120	BACW10BP7DP		.WASHER	BA, BB ,BJ-B M	14
125	NAS1805-7L		.NUT	BA, BB ,BJ-B M	14
130	113T1261-15		.RETAINER ASSY-BRG	BA, BJ ,BL	1
-135	113T1261-16		.RETAINER ASSY-BRG	BB, BK ,BM	1
140	MS15001-3		..FITTING-LUBE	BA, BB ,BJ-B M	1
145	113T1261-17		..RETAINER	BA, BJ ,BL	1
-150	113T1261-18		..RETAINER	BB, BK ,BM	1
155	BACB30MR6K28		.BOLT	BA, BB ,BJ-B M	2
160	BACB30MR6K30		.BOLT	BA, BB ,BJ-B M	3
165	BACB30NN6K27		.BOLT	BA, BB ,BJ-B M	1

57-53-31

ILLUSTRATED PARTS LIST

01.1 Page 1096M

Nov 01/03

FIG. & ITEM	PART NO.	AIRLINE PART NUMBER	NOMENCLATURE 1234567	EFF CODE	QTY PER ASSY
06-170	BACW10BP6CD		.WASHER	BA, BB ,BJ-B M	5
175	BACW10BP6DP		.WASHER	BA, BB ,BJ-B M	6
180	NAS1805-6L		.NUT	BA, BB ,BJ-B M	6
185	113T1261-1		.RETAINER-BRG	BA, BJ ,BL	1
-190	113T1261-2		.RETAINER-BRG	BB, BK ,BM	1
195	113T1261-11		.RETAINER ASSY-BRG	BA, BJ ,BL	1
-200	113T1261-12		.RETAINER ASSY-BRG	BB, BK	1
205	MS15001-3		..FITTING-LUBE	BA, BB ,BJ-B M	1
210	113T1261-7		..RETAINER	BA, BJ ,BL	1
-215	113T1261-8		..RETAINER	BB, BK ,BM	1
220	65B19247-1		.NUT	BA, BB ,BJ-B M	1
225	113T1254-5		.WASHER-SPECIAL	BA, BB ,BJ-B M	1
230	113T1228-1		.SHAFT	BA, BJ ,BL	1

57-53-31

 ILLUSTRATED PARTS LIST
 01.1 Page 1096N
 Nov 01/03


BOEING
 COMPONENT
 MAINTENANCE MANUAL

FIG. & ITEM	PART NO.	AIRLINE PART NUMBER	NOMENCLATURE 1234567	EFF CODE	QTY PER ASSY
06- -235	113T1228-2		.SHAFT	BB,BK ,BM	1
240	113T1251-5		.RING-REACTION	BA,BJ ,BL	1
-245	113T1251-6		.RING-REACTION	BB,BK ,BM	1
250	113T1256-29		.SEAL	BA,BB ,BJ-B M	4
255	113T1347-67		.BUSHING	BA,BB ,BJ-B M	1
260	B8942CL		.BEARING- (V60380) (SPEC 60B00178-24)	BA,BB ,BJ-B M	2
-260A	SB1136		.BEARING- (V92563) (SPEC 60B00178-24)	BA,BB ,BJ-B M	2
265	113T1227-13		.ARM ASSY	BA,BJ ,BL	1
-270	113T1227-14		.ARM ASSY	BB,BK ,BM	1
275	113T1347-66		..BUSHING	BA,BB ,BJ-B M	1
280	113T1347-52		..BUSHING	BA,BB ,BJ-B M	2
285	113T1347-51		..BUSHING	BA,BB ,BJ-B M	2
290	BACB30NR4K12		..BOLT	BA,BB ,BJ-B M	2
295	BACW10BP4AP		..WASHER	BA,BB ,BJ-B M	4

57-53-31

ILLUSTRATED PARTS LIST

01.1 Page 10960

Nov 01/03

FIG. & ITEM	PART NO.	AIRLINE PART NUMBER	NOMENCLATURE 1234567	EFF CODE	QTY PER ASSY
R	06-300	BRH10A4	DELETED		
	300A	BRH10C4D	..NUT- (V52828) (SPEC BACN10JC4CD) (OPT T6C428JCD (V11815)) (OPT NS202486-048 (V80539)) (OPT 102LH9075-4W (V72962)) (OPT H51650-4BAC (V15653))	BA, BB , BJ-B M	2
	305	113T1227-17	..FITTING-ARM (OPT ITEM 305A)	BA, BJ , BL	1
	-305A	113T1227-23	..FITTING-ARM (OPT ITEM 305)	BA, BJ , BL	1
	-310	113T1227-18	..FITTING-ARM (OPT ITEM 310A)	BB, BK , BM	1
	-310A	113T1227-24	..FITTING-ARM (OPT ITEM 310)	BB, BK , BM	1
	315	113T1227-15	..FITTING-ARM (OPT ITEM 315A)	BA, BJ , BL	1
	-315A	113T1227-21	..FITTING-ARM (OPT ITEM 315)	BA, BJ , BL	1
	-320	113T1227-16	..FITTING-ARM (OPT ITEM 320A)	BB, BK , BM	1
	-320A	113T1227-22	..FITTING-ARM (OPT ITEM 320)	BB, BK , BM	1
	325	113T1361-13	.SHIM	BA, BB , BJ-B M	1
	330	113T1240-201	.RIB ASSY-SPRT	BA	1
	-330A	113T1240-249	.RIB ASSY-SPRT	BJ	1
	-330B	113T1240-255	.RIB ASSY-SPRT	BL	1
	-335	113T1240-202	.RIB ASSY-SPRT	BB	1
	-335A	113T1240-250	.RIB ASSY-SPRT	BK	1
	-335B	113T1240-256	.RIB ASSY-SPRT	BM	1
	340	MS15001-1	..FITTING-LUBE	BA, BB , BJ-B M	2

57-53-31

ILLUSTRATED PARTS LIST

01.1 Page 1096P

Nov 01/03


BOEING
 COMPONENT
 MAINTENANCE MANUAL

FIG. & ITEM	PART NO.	AIRLINE PART NUMBER	NOMENCLATURE 1234567	EFF CODE	QTY PER ASSY
06- 345	MS15001-3		..FITTING-LUBE	BA, BB , BJ-B M	2
350	113T1347-124		..BUSHING	BA, BB , BJ-B M	2
355	113T1347-123		..BUSHING	BA, BB , BJ-B M	2
360	113T1347-63		..SPACER	BA, BB , BJ-B M	4
365	113T1347-76		..BUSHING	BA, BB , BJ-B M	4
370	113T1347-100		..BUSHING	BA, BB , BJ-B M	4
375	113T1347-145		..BUSHING	BA, BB , BJ-B M	4
380	113T1347-73		..BUSHING	BA, BB , BJ-B M	2
385	113T1347-74		..BUSHING	BA, BB , BJ-B M	2
390	113T1347-78		..BUSHING	BA, BB , BJ-B M	4

57-53-31

ILLUSTRATED PARTS LIST

01.1 Page 1096Q

Nov 01/03

FIG. & ITEM	PART NO.	AIRLINE PART NUMBER	NOMENCLATURE 1234567	EFF CODE	QTY PER ASSY
06-395	113T1347-105		..BUSHING	BA, BB , BJ-B M	4
400	BACB28AP04P024		..BUSHING	BA, BB , BJ-B M	1
405	BACB28AT06B024C		..BUSHING	BA, BB , BJ-B M	1
410	113T1240-20		..BEARING	BA, BB , BJ-B M	2
415	BACR15BA3ADC		..RIVET- (SIZE DETERMINE ON INST)	BA, BB , BJ-B M	2
420	BACN11P3B6		..NUTPLATE	BA, BB , BJ-B M	1
425	HL1012AZ8-11		..BOLT- (VOPTK6) (SPEC BACB30NX8K11) (OPT HL12VAZ8-11 (V73197)) (OPT HL12VAZ8-11 (V92215)) (OPT HL12VAZ8-11 (V97928)) (OPT L802-8K11 (V06725)) (OPT HL12VAZ8-11 (V56878)) (OPT HL1012AZ8-11 (V06725)) (OPT HL1012AZ8-11 (V06950)) (OPT HL1012AZ8-11 (V17446)) (OPT HL1012AZ8-11 (V56878)) (OPT HL1012AZ8-11 (V60516)) (OPT HL1012AZ8-11 (V73197)) (OPT HL1012AZ8-11 (V97928))	BA, BB , BJ-B M	7

57-53-31

ILLUSTRATED PARTS LIST

01.1 Page 1096R

Nov 01/03


BOEING
 COMPONENT
 MAINTENANCE MANUAL

FIG. & ITEM	PART NO.	AIRLINE PART NUMBER	NOMENCLATURE 1234567	EFF CODE	QTY PER ASSY
06-430	BACN10YT8CD		..NUT	BA, BB , BJ-B M	7
435	113T1641-55		..CLIP ASSY	BA, BJ , BL	1
-440	113T1641-56		..CLIP ASSY	BB, BK , BM	1
445	BACB28X4M015		...BUSHING	BA, BB , BJ-B M	1
450	113T1641-57		...CLIP	BA, BJ , BL	1
-455	113T1641-58		...CLIP	BB, BK , BM	1
460	113T1787-1		..FITTING ASSY	BA, BB , BJ-B M	2
465	ADW04V301NC		...BEARING- (V15860) (SPEC BACB10FA04GC) (OPT SWKRS04-350SC (V81376)) (OPT KSC152200BZ04GC (V50632)) (OPT KWDB04-35 (V97613)) (OPT WES04FAGC (V73134)) (OPT WHTFA04VC (VS0352))	BA, BB , BJ-B M	1

57-53-31

 ILLUSTRATED PARTS LIST
 01.1 Page 1096S
 Nov 01/03

FIG. & ITEM	PART NO.	AIRLINE PART NUMBER	NOMENCLATURE 1234567	EFF CODE	QTY PER ASSY
06-470	113T1787-2		...FITTING	BA, BB , BJ-B M	1
475	BACR15FT6AD		..RIVET- (SIZE DETERMINE ON INST)	BA, BJ , BL	4
480	272T1427-1		..BRACKET ASSY-HYDR	BA, BJ , BL	1
485	272T1427-3		..BRACKET ASSY-HYDR	BA, BJ , BL	1
490	BACR15BA3AD		...RIVET- (SIZE DETERMINE ON INST)	BA, BJ , BL	4
495	BRFM20A3		...NUTPLATE- (V52828) (SPEC BACN10JN3) (OPT MF1000-3BAC (V15653)) (OPT NS103218-02 (V80539)) (OPT RMF9201M3 (V72962)) (OPT VN252A02 (V92215)) (OPT MF53049-3 (V15653)) (OPT T8124S3S (V11815))	BA, BJ , BL	2
500	272T1427-2		...BRACKET- (USED ON ITEM 480)	BA, BJ , BL	1
505	272T1427-4		...BRACKET- (USED ON ITEM 485)	BA, BJ , BL	1

57-53-31

 ILLUSTRATED PARTS LIST
 01.1 Page 1096T
 Nov 01/03


BOEING
 COMPONENT
 MAINTENANCE MANUAL

FIG. & ITEM	PART NO.	AIRLINE PART NUMBER	NOMENCLATURE 1234567	EFF CODE	QTY PER ASSY
06-510	HST10AG8-5		..BOLT- (VOPTK6) (SPEC BACB30VT8K5) (OPT HST10AG8-5 (V06725)) (OPT HST10AG8-5 (V56878)) (OPT HST10AG8-5 (V73197))	BA,BJ ,BL	3
515	BACN10ZV8		..NUT	BA,BJ ,BL	3
520	272T1347-7		..BRACKET ASSY-HYDR	BA,BJ ,BL	1
525	BACR15FT6AD		...RIVET- (SIZE DETERMINE ON INST)	BA,BJ ,BL	2
530	272T1347-6		...BRACKET	BA,BJ ,BL	1
535	272T1347-8		...BRACKET	BA,BJ ,BL	1
540	BACR15FT6AD		..RIVET- (SIZE DETERMINE ON INST)	BB,BK ,BM	5
545	272T1427-5		..BRACKET ASSY-HYDR	BB,BK ,BM	1
550	BACR15BA3AD		...RIVET- (SIZE DETERMINE ON INST)	BB,BK ,BM	4
555	BRFM20A3		...NUTPLATE- (V52828) (SPEC BACN10JN3) (OPT MF1000-3BAC (V15653)) (OPT NS103218-02 (V80539)) (OPT RMF9201M3 (V72962)) (OPT VN252A02 (V92215)) (OPT MF53049-3 (V15653)) (OPT T8124S3S (V11815))	BB,BK ,BM	2
560	272T1427-6		...BRACKET	BB,BK ,BM	1
565	272T0164-1		..BRACKET ASSY-HYDR	BB,BK ,BM	1

57-53-31

 ILLUSTRATED PARTS LIST
 01.1 Page 1096U
 Nov 01/03

FIG. & ITEM	PART NO.	AIRLINE PART NUMBER	NOMENCLATURE 1234567	EFF CODE	QTY PER ASSY
06-570	BACR15BA3AD		...RIVET- (SIZE DETERMINE ON INST)	BB,BK ,BM	6
575	BRFM20A3		...NUTPLATE- (V52828) (SPEC BACN10JN3) (OPT MF1000-3BAC (V15653)) (OPT NS103218-02 (V80539)) (OPT RMF9201M3 (V72962)) (OPT VN252A02 (V92215)) (OPT MF53049-3 (V15653)) (OPT T8124S3S (V11815))	BB,BK ,BM	3
580	272T0164-2		...BRACKET	BB,BK ,BM	1

57-53-31

 ILLUSTRATED PARTS LIST
 01.1 Page 1096V
 Nov 01/03


BOEING
 COMPONENT
 MAINTENANCE MANUAL

FIG. & ITEM	PART NO.	AIRLINE PART NUMBER	NOMENCLATURE 1234567	EFF CODE	QTY PER ASSY
06-585	HL1012AZ8-5		..BOLT- (V0PTK6) (SPEC BACB30NX8K5) (OPT HL12VAZ8-5 (V73197)) (OPT HL12VAZ8-5 (V92215)) (OPT HL12VAZ8-5 (V97928)) (OPT L802-8K5 (V06725)) (OPT HL12VAZ8-5 (V56878)) (OPT HL1012AZ8-5 (V06725)) (OPT HL1012AZ8-5 (V06950)) (OPT HL1012AZ8-5 (V17446)) (OPT HL1012AZ8-5 (V56878)) (OPT HL1012AZ8-5 (V60516)) (OPT HL1012AZ8-5 (V73197)) (OPT HL1012AZ8-5 (V97928))	BB,BK ,BM	2
590	BACN10YT8CD		..NUT	BB,BK ,BM	2
595	272T1434-3		..BRACKET ASSY-HYDR	BB,BK ,BM	1
600	BACR15BA3AD		...RIVET- (SIZE DETERMINE ON INST)	BB,BK ,BM	4

57-53-31

 ILLUSTRATED PARTS LIST
 01.1 Page 1096W
 Nov 01/03

FIG. & ITEM	PART NO.	AIRLINE PART NUMBER	NOMENCLATURE 1234567	EFF CODE	QTY PER ASSY
06-605	BRFM20A3		...NUTPLATE- (V52828) (SPEC BACN10JN3) (OPT MF1000-3BAC (V15653)) (OPT NS103218-02 (V80539)) (OPT RMF9201M3 (V72962)) (OPT VN252A02 (V92215)) (OPT MF53049-3 (V15653)) (OPT T8124S3S (V11815))	BB,BK ,BM	2
610	272T1434-4		...BRACKET	BB,BK ,BM	1
615	HST10AG8-5		..BOLT- (VOPTK6) (SPEC BACB30VT8K5) (OPT HST10AG8-5 (V06725)) (OPT HST10AG8-5 (V56878)) (OPT HST10AG8-5 (V73197))	BB,BK ,BM	3
620	BACN10ZV8		..NUT	BB,BK ,BM	3
625	272T1347-2		..BRACKET ASSY-HYDR	BB,BK ,BM	1
630	BACR15FT6AD		...RIVET- (SIZE DETERMINE ON INST)	BB,BK ,BM	2
635	272T1347-3		...BRACKET	BB,BK ,BM	1
640	272T1347-5		...BRACKET	BB,BK ,BM	1

57-53-31

 ILLUSTRATED PARTS LIST
 01.1 Page 1096X
 Nov 01/03


BOEING
 COMPONENT
 MAINTENANCE MANUAL

FIG. & ITEM	PART NO.	AIRLINE PART NUMBER	NOMENCLATURE 1234567	EFF CODE	QTY PER ASSY
06-645	HL1012AZ8-10		..BOLT- (V0PTK6) (SPEC BACB30NX8K10) (OPT HL12VAZ8-10 (V73197)) (OPT HL12VAZ8-10 (V92215)) (OPT HL12VAZ8-10 (V97928)) (OPT L802-8K10 (V06725)) (OPT HL12VAZ8-10 (V56878)) (OPT HL1012AZ8-10 (V06725)) (OPT HL1012AZ8-10 (V06950)) (OPT HL1012AZ8-10 (V17446)) (OPT HL1012AZ8-10 (V56878)) (OPT HL1012AZ8-10 (V60516)) (OPT HL1012AZ8-10 (V73197)) (OPT HL1012AZ8-10 (V97928))	BA, BB BJ-B M	2

57-53-31

 ILLUSTRATED PARTS LIST
 01.1 Page 1096Y
 Nov 01/03

FIG. & ITEM	PART NO.	AIRLINE PART NUMBER	NOMENCLATURE 1234567	EFF CODE	QTY PER ASSY
06-650	HL1012AZ8-9		..BOLT- (VOPTK6) (SPEC BACB30NX8K9) (OPT HL12VAZ8-9 (V73197)) (OPT HL12VAZ8-9 (V92215)) (OPT HL12VAZ8-9 (V97928)) (OPT L802-8K9 (V06725)) (OPT HL12VAZ8-9 (V56878)) (OPT HL1012AZ8-9 (V06725)) (OPT HL1012AZ8-9 (V06950)) (OPT HL1012AZ8-9 (V17446)) (OPT HL1012AZ8-9 (V56878)) (OPT HL1012AZ8-9 (V60516)) (OPT HL1012AZ8-9 (V73197)) (OPT HL1012AZ8-9 (V97928))	BA, BB , BJ-B M	2
655	BACN10YT8CD		..NUT	BA, BB , BJ-B M	4
660	287T0020-472		..BRACKET-CONN	BA, BB , BJ-B M	1
665	287T0020-437		..STUD ASSY-GND	BA, BJ , BL	1
-670	287T0020-438		..STUD ASSY-GND	BB, BK , BM	1
675	BACR15BA3AD		...RIVET- (SIZE DETERMINE ON INST)	BA, BB , BJ-B M	2

57-53-31

ILLUSTRATED PARTS LIST

01.1 Page 1096Z

Nov 01/03


BOEING
 COMPONENT
 MAINTENANCE MANUAL

FIG. & ITEM	PART NO.	AIRLINE PART NUMBER	NOMENCLATURE 1234567	EFF CODE	QTY PER ASSY
06-680	BRM100A3		...NUTPLATE- (V52828) (SPEC BACN10JP3B) (OPT MK2000-3BAC (V15653)) (OPT NS103198-02 (V80539)) (OPT RMA9207-3 (V72962)) (OPT VN201A1-02 (V92215)) (OPT T8077S1032 (V11815)) (OPT ITEM 680A)	BA, BB , BJ-B M	1
-680A	BR1000A3		...NUTPLATE- (V52828) (SPEC BACN10KB3) (OPT NS103184-02 (V80539)) (OPT RMA9207-3 (V72962)) (OPT T8109S1032 (V11815)) (OPT VN101A1-02 (V92215)) (OPT K2000-3 (V15653)) (OPT ITEM 680)	BA, BB , BJ-B M	1
685	VNS1924CA1-8		...STUD- (V5M902) (SPEC BACS53B1EA1) (OPT VNS1924CA3-1-8 (V92215)) (OPT ITEM 690)	BA, BB , BJ-B M	2
-690	287T0020-640		...KIT ASSY-SUB (OPT ITEM 685)	BA, BB , BJ-B M	2
695	NAS1801-3-12	SCREW	BA, BB , BJ-B M	1

57-53-31

ILLUSTRATED PARTS LIST

01.1

Page 1097

Nov 01/03

FIG. & ITEM	PART NO.	AIRLINE PART NUMBER	NOMENCLATURE 1234567	EFF CODE	QTY PER ASSY
06-700	NAS1149D0316H	WASHER	BA, BB , BJ-B M	2
705	BACW10EC3S	WASHER	BA, BB , BJ-B M	1
710	MS35650-305T	NUT	BA, BB , BJ-B M	1
715	287T0020-439		...ZEE	BA, BJ , BL	1
-720	287T0020-440		...ZEE	BB, BK , BM	1
725	HST10AG8-4		..BOLT- (VOPTK6) (SPEC BACB30VT8K4) (OPT HST10AG8-4 (V06725)) (OPT HST10AG8-4 (V56878)) (OPT HST10AG8-4 (V73197))	BA, BB , BJ-B M	3
730	BACN10ZV8		..NUT	BA, BB , BJ-B M	3
735	BACB30US5K31		..BOLT	BA, BB , BJ-B M	2
740	BACW10BP5CD		..WASHER	BA, BB , BJ-B M	2
745	BACW10BP5DP		..WASHER	BA, BB , BJ-B M	2

57-53-31

 ILLUSTRATED PARTS LIST
 01.1 Page 1098
 Nov 01/03


BOEING
 COMPONENT
 MAINTENANCE MANUAL

FIG. & ITEM	PART NO.	AIRLINE PART NUMBER	NOMENCLATURE 1234567	EFF CODE	QTY PER ASSY
06-750	H51560-5		..NUT- (V15653) (SPEC BACN10HR5CD) (OPT 67832CD524 (V56878)) (OPT 102LH9031-5 (V72962)) (OPT SL7108C524 (V11815)) (OPT BH00303CM5 (V27238)) (OPT BMN5024CWD35 (V97928)) (OPT CR60305 (V62554)) (OPT SL7108C5 (V11815)) (OPT VCU0005D5 (V06710)) (OPT 102LH90315 (V72962)) (OPT BMN10HRCWD3-5 (V97928)) (OPT BH00303CM5 (V27238)) (OPT 67832CD5 (V56878))	BA, BB , BJ-B M	2
755	BACB30US5K11		..BOLT- (OPT ITEM 760)	BA, BB , BJ-B M	1
760	HLT422AP10-10		..BOLT- (V97928) (SPEC BACB30YK10K10) (OPT HLT422AP10-10 (V06725)) (OPT HLT422AP10-10 (V60516)) (OPT ITEM 755)	BA, BB , BJ-B M	1

57-53-31

ILLUSTRATED PARTS LIST

01.1 Page 1098A

Nov 01/03

FIG. & ITEM	PART NO.	AIRLINE PART NUMBER	NOMENCLATURE 1234567	EFF CODE	QTY PER ASSY
06-765	BACB30US5K12		..BOLT- (OPT ITEM 770)	BA, BB , BJ-B M	1
770	HLT422AP10-11		..BOLT- (V97928) (SPEC BACB30YK10K11) (OPT HLT422AP10-11 (V06725)) (OPT HLT422AP10-11 (V60516)) (OPT ITEM 765)	BA, BB , BJ-B M	1
775	BACW10BP5CD		..WASHER	BA, BB , BJ-B M	2
780	BACW10BP5DP		..WASHER	BA, BB , BJ-B M	2

57-53-31

 ILLUSTRATED PARTS LIST
 01.1 Page 1098B
 Nov 01/03


BOEING
 COMPONENT
 MAINTENANCE MANUAL

FIG. & ITEM	PART NO.	AIRLINE PART NUMBER	NOMENCLATURE 1234567	EFF CODE	QTY PER ASSY
06-785	H51560-5		..NUT- (V15653) (SPEC BACN10HR5CD) (OPT 67832CD524 (V56878)) (OPT 102LH9031-5 (V72962)) (OPT SL7108C524 (V11815)) (OPT BH00303CM5 (V27238)) (OPT BMN5024CWD35 (V97928)) (OPT CR60305 (V62554)) (OPT SL7108C5 (V11815)) (OPT VCU0005D5 (V06710)) (OPT 102LH90315 (V72962)) (OPT BMN10HRCWD3-5 (V97928)) (OPT BH00303CM5 (V27238)) (OPT 67832CD5 (V56878)) (USED WITH ITEMS 755, 765)	BA, BB , BJ-B M	2
790	BACC30CP10C		..COLLAR- (USED WITH ITEMS 760, 770)	BA, BB , BJ-B M	2
795	HLT420AP10-11		..BOLT- (V06725) (SPEC BACB30YL10K11) (OPT HLT420AP10-11 (V97928)) (OPT HLT420AP10-11 (V60516))	BA, BB , BJ-B M	3

57-53-31

 ILLUSTRATED PARTS LIST
 01.1 Page 1098C
 Nov 01/03

FIG. & ITEM	PART NO.	AIRLINE PART NUMBER	NOMENCLATURE 1234567	EFF CODE	QTY PER ASSY
06-800	HLT420AP10-10		..BOLT- (V97928) (SPEC BACB30YL10K10) (OPT HLT420AP10-10 (V06725)) (OPT HLT420AP10-10 (V60516))	BA, BB , BJ-B M	2
805	HLT420AP10-9		..BOLT- (V97928) (SPEC BACB30YL10K9) (OPT HLT420AP10-9 (V06725)) (OPT HLT420AP10-9 (V60516))	BA, BB , BJ-B M	2
810	HLT420AP10-12		..BOLT- (V06725) (SPEC BACB30YL10K12) (OPT HLT420AP10-12 (V97928)) (OPT HLT420AP10-12 (V60516))	BA, BB , BJ-B M	1
815	BACC30CQ10C		..COLLAR	BA, BB , BJ-B M	8
820	113T1265-4		..FITTING-STOP	BA, BB	1
-820A	113T1265-4		..FITTING-STOP (OPT ITEM 820B)	BJ-BM	1
-820B	113T1265-6		..FITTING-STOP (OPT ITEM 820A)	BJ-BM	1
825	113T1240-99		..SHIM	BA, BB , BJ-B M	1

57-53-31

ILLUSTRATED PARTS LIST

01.1 Page 1098D

Nov 01/03


BOEING
 COMPONENT
 MAINTENANCE MANUAL

FIG. & ITEM	PART NO.	AIRLINE PART NUMBER	NOMENCLATURE 1234567	EFF CODE	QTY PER ASSY
06-830	BACB30MR7K19		..BOLT	BA, BB , BJ-B M	1
835	BACB30MR7K18		..BOLT	BA, BB , BJ-B M	1
840	BACW10BP7CD		..WASHER	BA, BB , BJ-B M	2
845	BACW10BP7DP		..WASHER	BA, BB , BJ-B M	2
850	NAS1805-7L		..NUT	BA, BB , BJ-B M	2
855	BACB30MR5K19		..BOLT	BA, BB , BJ-B M	1
860	BACB30MR5K18		..BOLT	BA, BB , BJ-B M	2
865	BACB30MR5K20		..BOLT	BA, BB , BJ-B M	1
870	BACW10BP5CD		..WASHER	BA, BB , BJ-B M	4
875	BACW10BP5DP		..WASHER	BA, BB , BJ-B M	4
880	NAS1805-5L		..NUT	BA, BB , BJ-B M	4

57-53-31

ILLUSTRATED PARTS LIST

01.1 Page 1098E

Nov 01/03

FIG. & ITEM	PART NO.	AIRLINE PART NUMBER	NOMENCLATURE 1234567	EFF CODE	QTY PER ASSY
06-885	BACB30MR4K17		..BOLT	BA, BB ,BJ-B M	1
890	BACB30MR4K15		..BOLT	BA, BB ,BJ-B M	1
895	BACW10BP4CD		..WASHER	BA, BB ,BJ-B M	2
900	BACW10BP4DP		..WASHER	BA, BB ,BJ-B M	2
905	NAS1805-4L		..NUT	BA, BB ,BJ-B M	2
910	BACB30MR9K141		..BOLT	BA, BB ,BJ-B M	1
915	BACW10BP9CD		..WASHER	BA, BB ,BJ-B M	1
920	BACW10BP9DP		..WASHER	BA, BB ,BJ-B M	1
925	NAS1805-9L		..NUT	BA, BB ,BJ-B M	1
930	113T2001-2		..FITTING	BA, BB ,BJ-B M	1
935	113T2001-1		..FITTING	BA, BB ,BJ-B M	1
940	113T2002-2		..FITTING	BA, BB ,BJ-B M	1
945	113T2002-1		..FITTING	BA, BB ,BJ-B M	1

57-53-31

 ILLUSTRATED PARTS LIST
 01.1 Page 1098F
 Nov 01/03

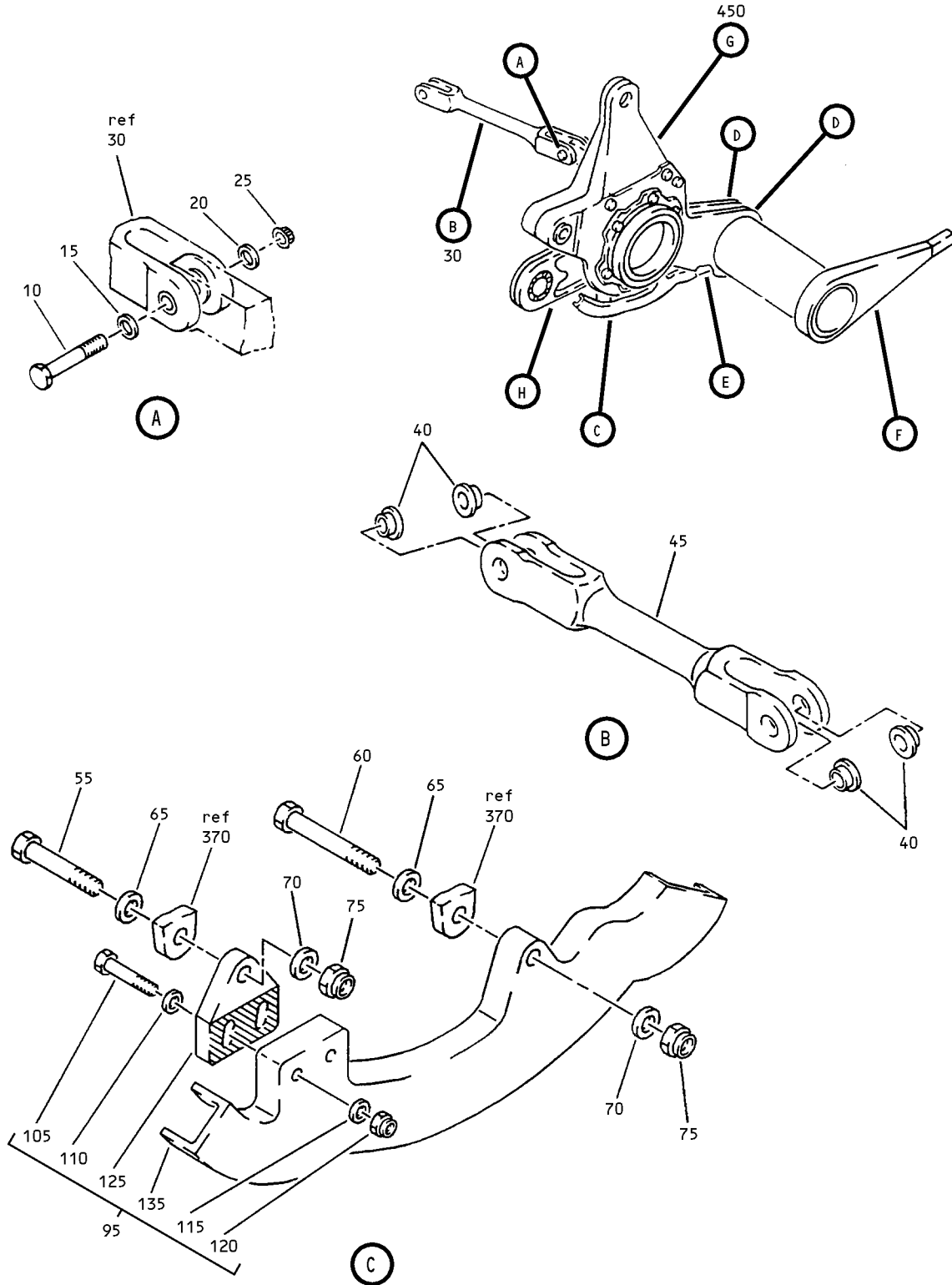

BOEING
 COMPONENT
 MAINTENANCE MANUAL

FIG. & ITEM	PART NO.	AIRLINE PART NUMBER	NOMENCLATURE 1234567	EFF CODE	QTY PER ASSY
06-950	HST10AG8-6		..BOLT- (VOPTK6) (SPEC BACB30VT8K6) (OPT HST10AG8-6 (V06725)) (OPT HST10AG8-6 (V56878)) (OPT HST10AG8-6 (V73197))	BA, BB ,BJ-B M	2
955	HST10AG8-9		..BOLT- (VOPTK6) (SPEC BACB30VT8K9) (OPT HST10AG8-9 (V06725)) (OPT HST10AG8-9 (V56878)) (OPT HST10AG8-9 (V73197))	BA, BB ,BJ-B M	2
960	HST10AG6-4		..BOLT- (V06725) (SPEC BACB30VT6K4) (OPT HST10AG6-4 (V73197)) (OPT HST10AG6-4 (V56878)) (OPT HST10AG6-4 (VOPTK6))	BA, BB ,BJ-B M	6
965	BACN10ZV8		..NUT	BA, BB ,BJ-B M	4
970	BACN10ZV6		..NUT	BA, BB ,BJ-B M	6
975	113T1240-15		..ANGLE	BA, BB BJ-BM	1
980	113T1240-16		..ANGLE	BA, BB BJ-BM	1

- Item Not Illustrated

57-53-31

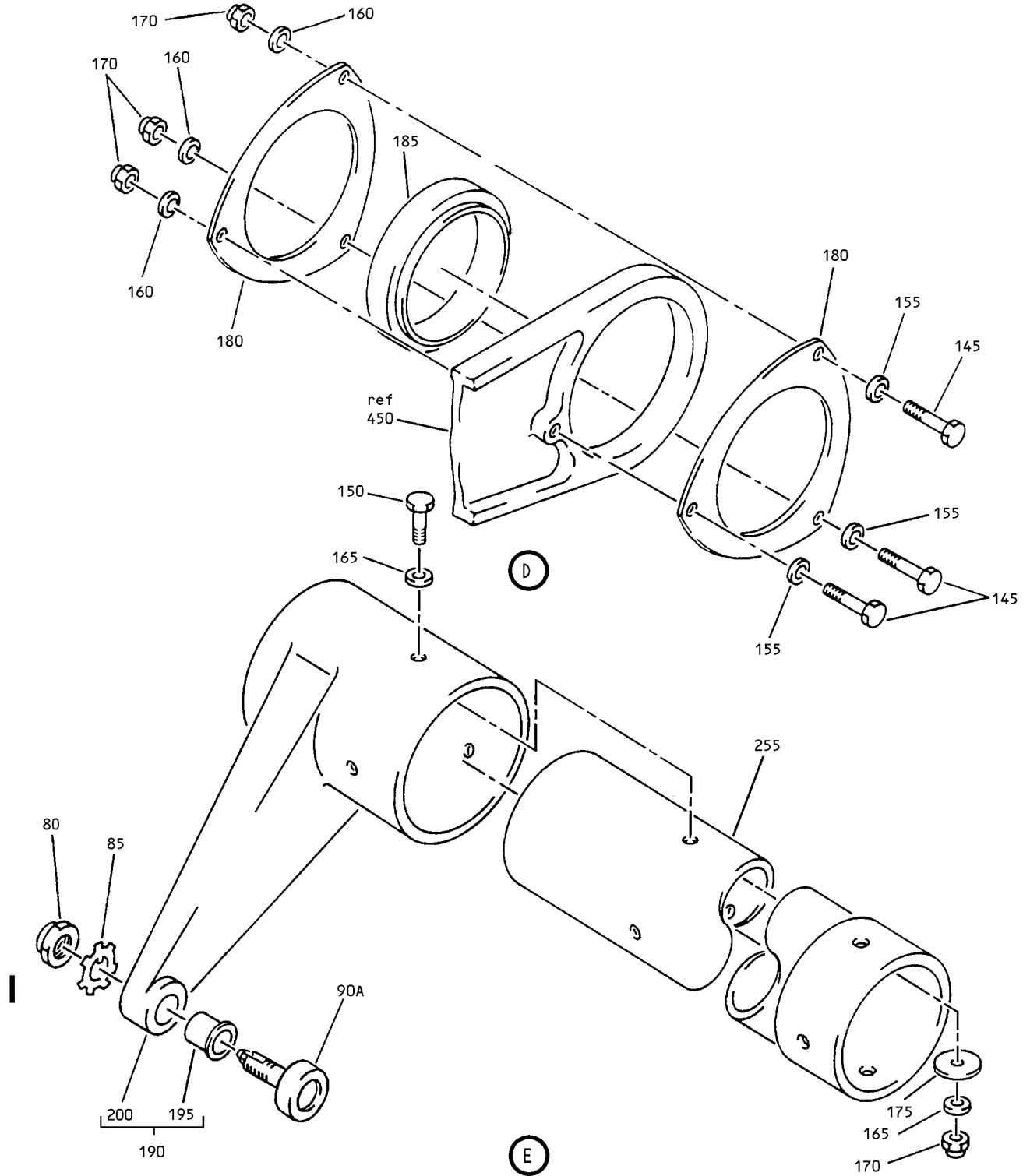
ILLUSTRATED PARTS LIST
 01.1 Page 1098G
 Nov 01/03



Inboard Trailing Edge Flap Actuator Support Assembly
 Figure 7 (Sheet 1)

57-53-31

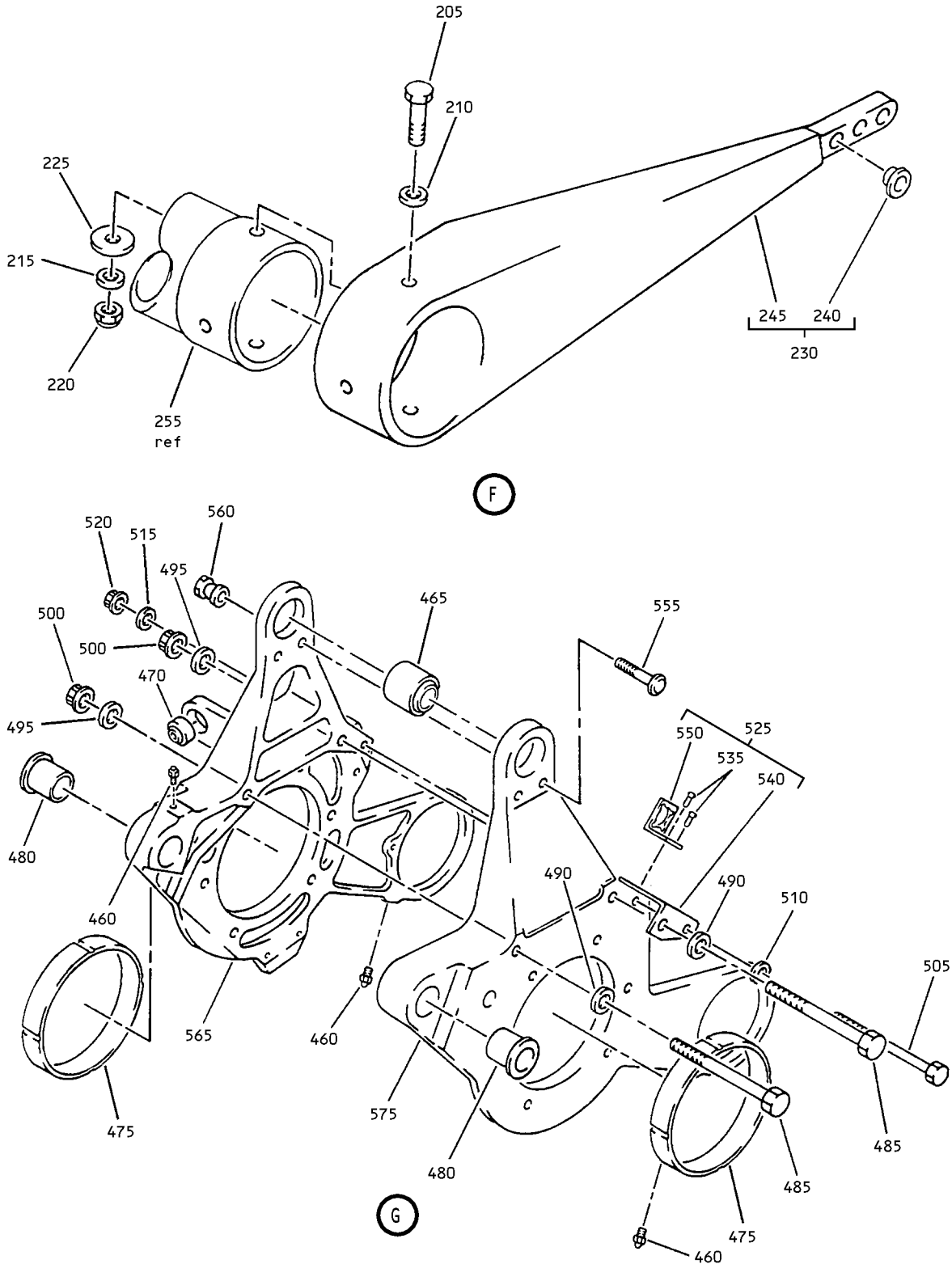
ILLUSTRATED PARTS LIST
 01.1 Page 1098H
 Nov 01/03



Inboard Trailing Edge Flap Actuator Support Assembly
 Figure 7 (Sheet 2)

57-53-31

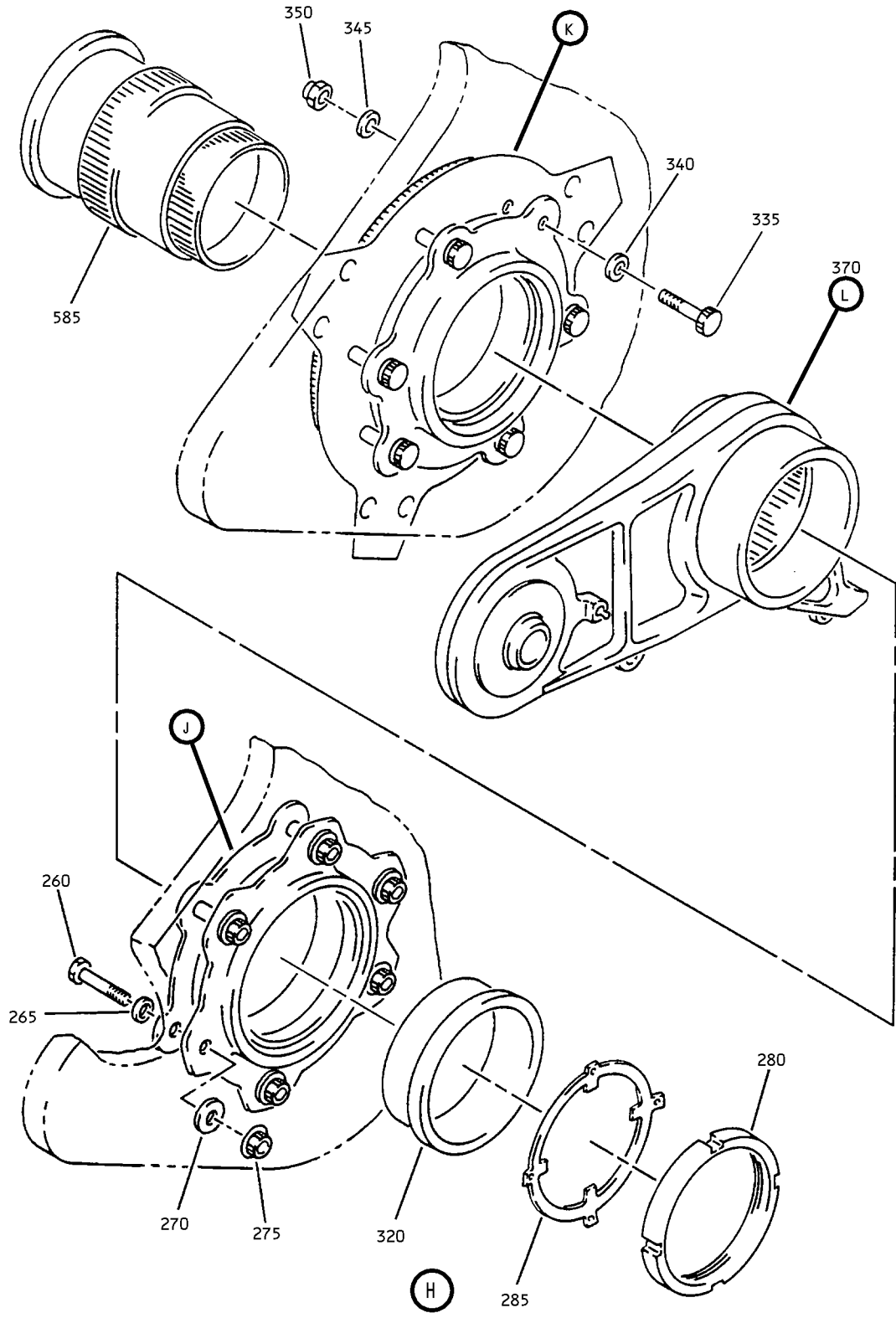
ILLUSTRATED PARTS LIST
 01.1 Page 1098I
 Nov 01/03



Inboard Trailing Edge Flap Actuator Support Assembly
 Figure 7 (Sheet 3)

57-53-31

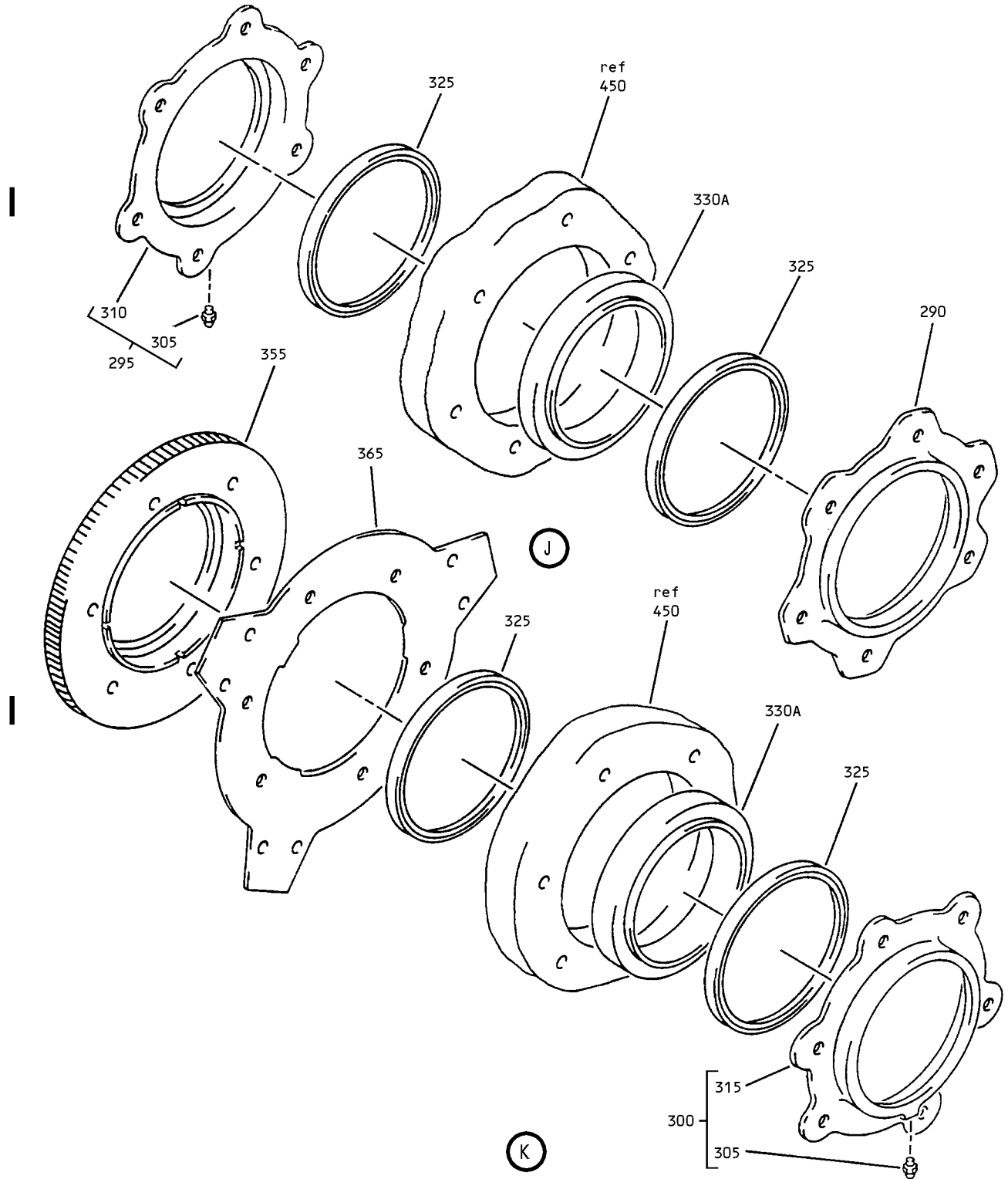
ILLUSTRATED PARTS LIST
 01.1 Page 1098J
 Nov 01/03



Inboard Trailing Edge Flap Actuator Support Assembly
 Figure 7 (Sheet 4)

57-53-31

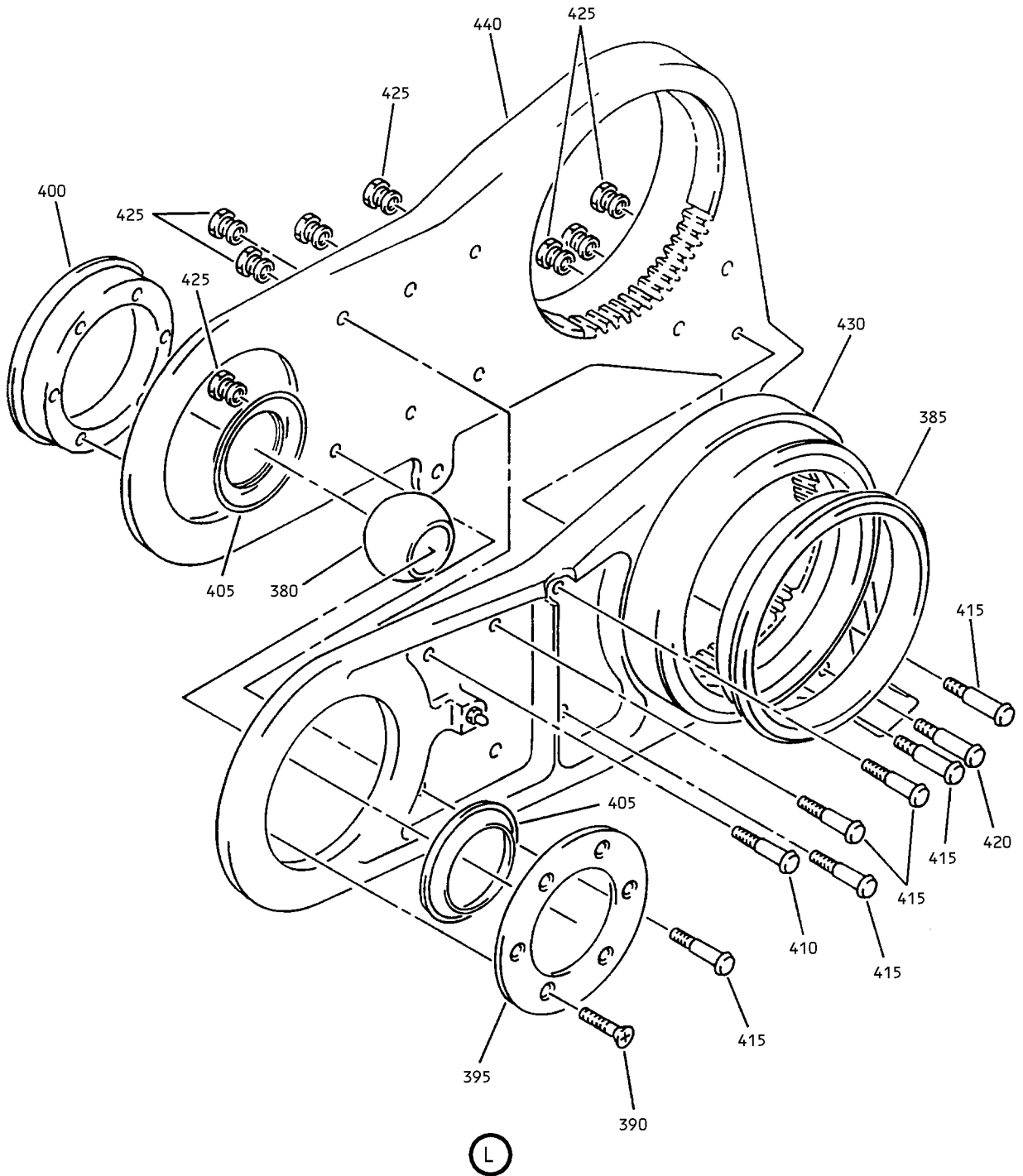
ILLUSTRATED PARTS LIST
 01.1 Page 1098K
 Nov 01/03



Inboard Trailing Edge Flap Actuator Support Assembly
 Figure 7 (Sheet 5)

57-53-31

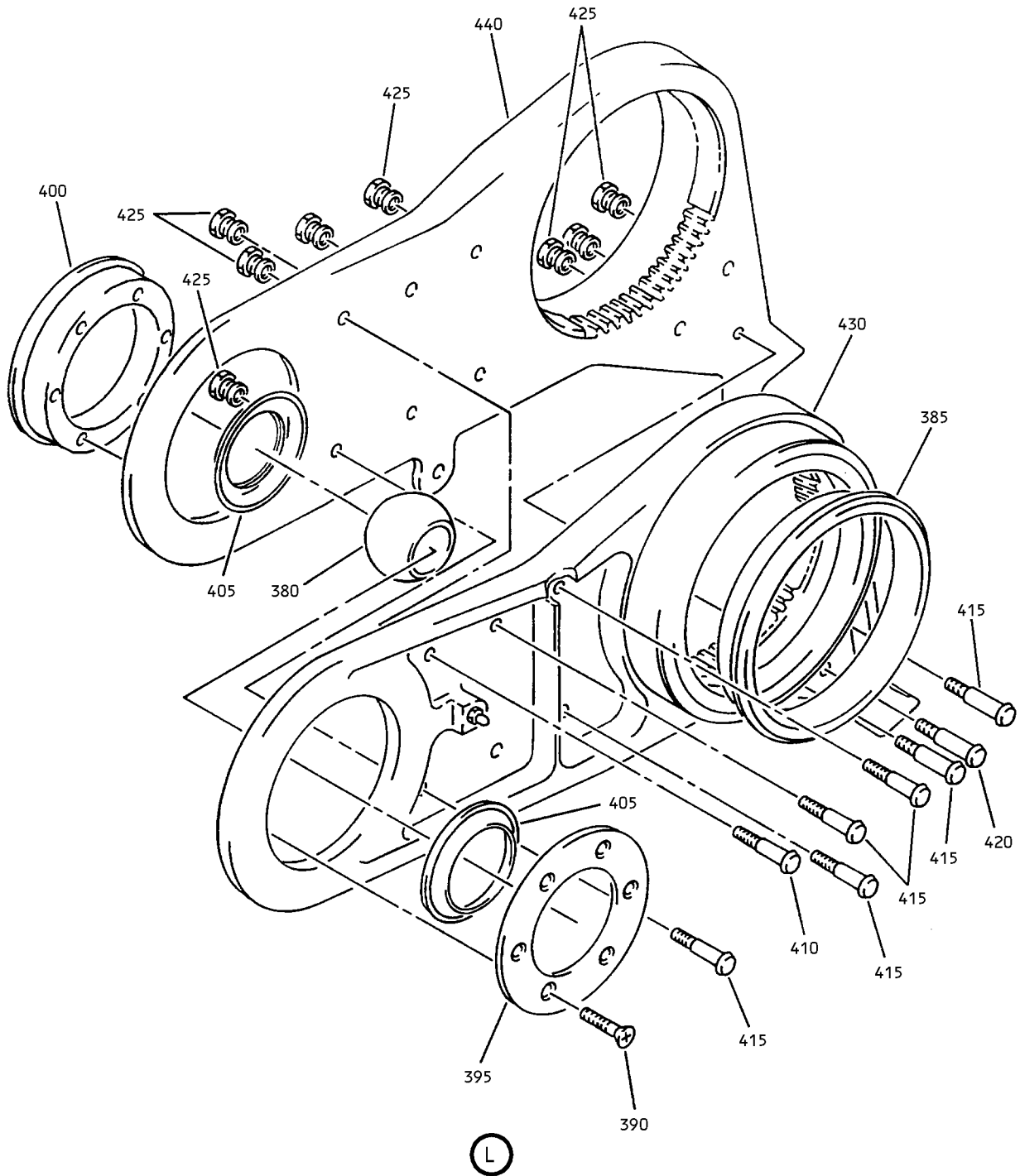
ILLUSTRATED PARTS LIST
 01.1 Page 1098L
 Nov 01/03



Inboard Trailing Edge Flap Actuator Support Assembly
Figure 7 (Sheet 6)

57-53-31

ILLUSTRATED PARTS LIST
01.1 Page 1098M
Nov 01/03



Inboard Trailing Edge Flap Actuator Support Assembly
 Figure 7 (Sheet 6)

57-53-31

ILLUSTRATED PARTS LIST
 01.1 Page 1098N
 Nov 01/03

BOEING
 COMPONENT
 MAINTENANCE MANUAL

FIG. & ITEM	PART NO.	AIRLINE PART NUMBER	NOMENCLATURE 1234567	EFF CODE	QTY PER ASSY
07-					
-1A	113T1200-321		ACTUATOR ASSY-SPRT 4	BC	RF
-5	113T1200-322		ACTUATOR ASSY-SPRT 5	BD	RF
10	BACB30NM6K18		.BOLT	BC,BD	1
15	BACW10BP6CD		.WASHER	BC,BD	1
20	BACW10BP6DP		.WASHER	BC,BD	1
25	NAS1805-6L		.NUT	BC,BD	1
30	113T1234-3		.LINK ASSY-SIDE	BC	1
-35	113T1234-1		.LINK ASSY-SIDE	BD	1
40	BACB28AP06P020		..BUSHING	BC,BD	4
45	113T1234-4		..LINK	BC	1
-50	113T1234-2		..LINK	BD	1
55	BACB30NR6K14		.BOLT	BC,BD	1
60	BACB30NR6K23		.BOLT	BC,BD	1
65	BACW10BP6CD		.WASHER	BC,BD	2
70	BACW10BP6DP		.WASHER	BC,BD	2
75	BRH10C6D		.NUT- (V52828) (SPEC BACN10JC6CD) (OPT H51650-6BAC (V15653))	BC,BD	2
80	H51650-8BAC		.NUT- (V15653) (SPEC BACN10JC8CD) (OPT 102LH9074-8 (V72962)) (OPT 69235-820CD (V92215)) (OPT BMN4122CPD8-8 (V97928))	BC,BD	1
85	MS27111-5		.WASHER	BC,BD	1
90	CC55133		DELETED		
90A	CR1XBC189		.BEARING- (V07484) (SPEC 60B00178-651)	BC,BD	1
95	113T2025-3		.CAM ASSY	BC	1
-100	113T2025-4		.CAM ASSY	BD	1
105	BACB30LJ3K17		..BOLT	BC,BD	2
110	BACW10BP3AC		..WASHER	BC,BD	2
115	BACW10BP3AP		..WASHER	BC,BD	2

57-53-31

ILLUSTRATED PARTS LIST
 01.1 Page 10980
 Nov 01/03

FIG. & ITEM	PART NO.	AIRLINE PART NUMBER	NOMENCLATURE 1234567	EFF CODE	QTY PER ASSY
07-120	BRH10C3D		..NUT- (V52828) (SPEC BACN10JC3CD) (OPT T6C1032JCD (V11815)) (OPT NS202486-02 (V80539)) (OPT 102LH9075-3W (V72962)) (OPT H51650-3BAC (V15653))	BC,BD	2
125	113T2025-7		..FITTING-SERRATED	BC	1
-130	113T2025-8		..FITTING-SERRATED	BD	1
135	113T2025-5		..CAM	BC	1
-140	113T2025-6		..CAM	BD	1
145	BACB30NM4K14		.BOLT	BC,BD	6
150	BACB30NM4K5		.BOLT	BC,BD	3
155	BACW10BP4CD		.WASHER	BC,BD	6
160	BACW10BP4DP		.WASHER	BC,BD	6
165	NAS1149D0463J		.WASHER	BC,BD	6
170	BRH10C4D		.NUT- (V52828) (SPEC BACN10JC4CD) (OPT T6C428JCD (V11815)) (OPT NS202486-048 (V80539)) (OPT 102LH9075-4W (V72962)) (OPT H51650-4BAC (V15653))	BC,BD	9
175	113T2000-52		.FILLER	BC,BD	3
180	113T1268-1		.RETAINER-BRG	BC,BD	4
185	SB1137		.BEARING- (V92563) (SPEC 60B00178-22)	BC,BD	2
190	113T1257-1		.BELLCRANK ASSY	BC,BD	1
195	BACB28AP08P056		..BUSHING	BC,BD	1
200	113T1257-2		..BELLCRANK	BC,BD	1
205	BACB30NM3K7		.BOLT	BC,BD	3
210	BACW10BP3CD		.WASHER	BC,BD	3
215	BACW10BP3DP		.WASHER	BC,BD	3

57-53-31

ILLUSTRATED PARTS LIST

01.1 Page 1098P

Nov 01/03


BOEING
 COMPONENT
 MAINTENANCE MANUAL

FIG. & ITEM	PART NO.	AIRLINE PART NUMBER	NOMENCLATURE 1234567	EFF CODE	QTY PER ASSY
07- 220	BRH10C3D		.NUT- (V52828) (SPEC BACN10JC3CD) (OPT T6C1032JCD (V11815)) (OPT NS202486-02 (V80539)) (OPT 102LH9075-3W (V72962)) (OPT H51650-3BAC (V15653))	BC,BD	3
225	113T2000-200		.FILLER	BC,BD	3
230	113T2027-1		.CRANK ASSY	BC	1
-235	113T2027-2		.CRANK ASSY	BD	1
240	BACB28AP04P037		..BUSHING	BC,BD	3
245	113T2027-3		..FITTING	BC	1
-250	113T2027-4		..FITTING	BD	1
255	113T1292-1		.SHAFT	BC,BD	1
260	BACB30NM6K21		.BOLT	BC,BD	6
265	BACW10BP6CD		.WASHER	BC,BD	6
270	BACW10BP6DP		.WASHER	BC,BD	6
275	NAS1805-6L		.NUT	BC,BD	6
280	113T1311-1		.NUT	BC,BD	1
285	113T1254-31		.WASHER-SPECIAL	BC,BD	1
290	113T1783-2		.RETAINER	BC,BD	1
295	113T1783-3		.RETAINER ASSY	BC,BD	1
300	113T1783-11		.RETAINER ASSY	BC,BD	1
305	MS15001-1		..FITTING-LUBE	BC,BD	1
310	113T1783-8		..RETAINER- (USED ON ITEM 295)	BC,BD	1
315	113T1783-12		..RETAINER- (USED ON ITEM 300)	BC,BD	1
320	113T1312-7		.BUSHING	BC,BD	1
325	113T1256-31		.SEAL	BC,BD	4
330	B8922CK		DELETED		
330A	DAT72-90A1-501		.BEARING- (V77896) (SPEC 60B00178-23)	BC,BD	2
-330B	SB1131		DELETED		
335	BACB30UU7K23		.BOLT	BC,BD	6
340	BACW10BP7CD		.WASHER	BC,BD	6
345	BACW10BP7DP		.WASHER	BC,BD	6
350	NAS1805-7L		.NUT	BC,BD	6
355	113T1269-7		.RING-REACTION	BC	1
-360	113T1269-8		.RING-REACTION	BD	1

57-53-31

ILLUSTRATED PARTS LIST

01.1 Page 1098Q

Nov 01/03



COMPONENT
MAINTENANCE MANUAL

FIG. & ITEM	PART NO.	AIRLINE PART NUMBER	NOMENCLATURE 1234567	EFF CODE	QTY PER ASSY
07-					
365	113T1361-14		.SHIM	BC,BD	1
370	113T1215-13		.ARM ASSY	BC	1
-375	113T1215-14		.ARM ASSY	BD	1
380	BLP16F243		..BEARING- (V16746) (SPEC 60B00180-243) (OPT ABS16-101 (VS0352)) (OPT BLN16-2021 (V81376)) (OPT LHCB16BA (V73134))	BC,BD	1
385	113T1312-6		..BUSHING	BC,BD	1
390	BACB30LR3P8		..BOLT	BC,BD	6
395	113T1267-11		..RETAINER	BC,BD	1
400	113T1267-12		..RETAINER	BC,BD	1
405	113T1256-28		..SEAL	BC,BD	2
410	HL448UC8-4		..BOLT- (V56878) (SPEC BACB30MB8A4) (OPT HL448UC8-4 (V73197)) (OPT HL448UC8-4 (V92215)) (OPT HL448UC8-4 (V97928)) (OPT 69308-8A4 (V56878)) (OPT HL448UC8-4 (V80539)) (OPT HL448UC8-4 (V08524)) (OPT HL448UC8-4 (V9N513)) (OPT WC4488-4 (V60516)) (OPT ITEM 410A)	BC,BD	1

57-53-31


BOEING
 COMPONENT
 MAINTENANCE MANUAL

FIG. & ITEM	PART NO.	AIRLINE PART NUMBER	NOMENCLATURE 1234567	EFF CODE	QTY PER ASSY
07- -410A	HL448UC8-3		..BOLT- (V73197) (SPEC BACB30MB8A3) (OPT HL448UC8-3 (V56878)) (OPT HL448UC8-3 (V92215)) (OPT 69308-8A3 (V56878)) (OPT HL448UC8-3 (V80539)) (OPT HL448UC8-3 (V97928)) (OPT HL448UC8-3 (V08524)) (OPT HL448UC8-3 (V9N513)) (OPT WC4488-3 (V60516)) (OPT ITEM 410)	BC,BD	1
415	HL448UC8-4		..BOLT- (V56878) (SPEC BACB30MB8A4) (OPT HL448UC8-4 (V73197)) (OPT HL448UC8-4 (V92215)) (OPT HL448UC8-4 (V97928)) (OPT 69308-8A4 (V56878)) (OPT HL448UC8-4 (V80539)) (OPT HL448UC8-4 (V08524)) (OPT HL448UC8-4 (V9N513)) (OPT WC4488-4 (V60516))	BC,BD	7

57-53-31

 ILLUSTRATED PARTS LIST
 01.1 Page 1098S
 Nov 01/03

FIG. & ITEM	PART NO.	AIRLINE PART NUMBER	NOMENCLATURE 1234567	EFF CODE	QTY PER ASSY
07-420	HL448UC8-6		..BOLT- (V56878) (SPEC BACB30MB8A6) (OPT HL448UC8-6 (V73197)) (OPT HL448UC8-6 (V92215)) (OPT HL448UC8-6 (V97928)) (OPT 69308-8A6 (V56878)) (OPT HL448UC8-6 (V80539)) (OPT HL448UC8-6 (V08524)) (OPT HL448UC8-6 (V9N513)) (OPT WC4488-6 (V60516))	BC,BD	1
425	HL1187-8		..COLLAR- (V5M902) (SPEC BACC30X8) (OPT HL87-8 (V92215)) (OPT HL87-8 (V73197)) (OPT HL1187-8 (V56878)) (OPT HL1187-8 (V92215)) (OPT HL87-8 (V56878)) (OPT HL1187-8 (V73197))	BC,BD	9
430	113T1215-27		..FITTING- (OPT ITEM 430A)	BC	1
-430A	113T1215-15		..FITTING- (OPT ITEM 430)	BC	1
-435	113T1215-28		..FITTING- (OPT ITEM 435A)	BD	1
-435A	113T1215-16		..FITTING- (OPT ITEM 435)	BD	1
440	113T1215-29		..FITTING- (OPT ITEM 440A)	BC	1

57-53-31

 ILLUSTRATED PARTS LIST
 01.1 Page 1098T
 Nov 01/03


BOEING
 COMPONENT
 MAINTENANCE MANUAL

FIG. & ITEM	PART NO.	AIRLINE PART NUMBER	NOMENCLATURE 1234567	EFF CODE	QTY PER ASSY
07- -440A	113T1215-17		..FITTING- (OPT ITEM 440)	BC	1
-445	113T1215-30		..FITTING- (OPT ITEM 445A)	BD	1
-445A	113T1215-18		..FITTING- (OPT ITEM 445)	BD	1
450	113T1231-9		.FITTING ASSY	BC	1
-455	113T1231-10		.FITTING ASSY	BD	1
460	MS15001-1		..FITTING-LUBE	BC,BD	3
465	ADW12-301NC		..BEARING- (V15860) (SPEC BACB10FA12C) (OPT KSC152200BZ12C (V50632)) (OPT KWDB12-34 (V97613)) (OPT WHTFA12C (V50294)) (OPT WRRS12FAC (V73134)) (OPT SWKRS12-350C (V81376))	BC,BD	1
470	ADW06V301NC		..BEARING- (V15860) (SPEC BACB10FA06GC) (OPT SWKRS06-350SC (V81376)) (OPT KSC152200BZ06GC (V50632)) (OPT KWDB06-35 (V97613)) (OPT WES06FAGC (V73134)) (OPT WHTFA06VC (VS0352))	BC,BD	1

57-53-31

 ILLUSTRATED PARTS LIST
 01.1 Page 1098U
 Nov 01/03

FIG. & ITEM	PART NO.	AIRLINE PART NUMBER	NOMENCLATURE 1234567	EFF CODE	QTY PER ASSY
07-					
475	113T1312-5		..BEARING	BC,BD	2
480	BACB28AP18P150		..BUSHING	BC,BD	2
485	BACB30NM8K79		..BOLT	BC,BD	2
490	BACW10BP8CD		..WASHER	BC,BD	2
495	BACW10BP8DP		..WASHER	BC,BD	2
500	NAS1804-8		DELETED		
R 500A	NAS1805-8L		..NUT	BC,BD	2
505	BACB30NM6K79		..BOLT	BC,BD	1
510	BACW10BP6CD		..WASHER	BC,BD	1
515	BACW10BP6DP		..WASHER	BC,BD	1
520	NAS1804-6		DELETED		
R 520A	NAS1805-6L		..NUT	BC,BD	1
525	287T4904-7		..BRACKET ASSY-CONN	BC	1
-530	287T4904-8		..BRACKET ASSY-CONN	BD	1
535	BACR15FT5AD		...RIVET-	BC,BD	2
			(SIZE DETERMINE ON INST)		

57-53-31

 ILLUSTRATED PARTS LIST
 01.1 Page 1098V
 Nov 01/03


BOEING
 COMPONENT
 MAINTENANCE MANUAL

FIG. & ITEM	PART NO.	AIRLINE PART NUMBER	NOMENCLATURE 1234567	EFF CODE	QTY PER ASSY
07-					
540	287T4904-3		...ANGLE	BC	1
-545	287T4904-4		...ANGLE	BD	1
550	287T4904-6		...ANGLE	BC,BD	1
555	BACB30NX10K		DELETED		
R 555A	HL1012AZ10-21		..BOLT- (VOPTK6) (SPEC BACB30NX10K21) (OPT HL12VAZ10-21 (V73197)) (OPT HL12VAZ10-21 (V92215)) (OPT HL12VAZ10-21 (V97928)) (OPT L802-10K21 (V06725)) (OPT HL12VAZ10-21 (V56878)) (OPT HL1012AZ10-21 (V06725)) (OPT HL1012AZ10-21 (V06950)) (OPT HL1012AZ10-21 (V17446)) (OPT HL1012AZ10-21 (V56878)) (OPT HL1012AZ10-21 (V60516)) (OPT HL1012AZ10-21 (V73197)) (OPT HL1012AZ10-21 (V97928))	BC,BD	2
560	HL1187DU10		DELETED		
R 560A	HL1087DU10		..COLLAR- (V9N513) (SPEC BACC30BH10S) (OPT HL1087DU10 (V92215)) (OPT HL1087DU10 (V73197)) (OPT HL1087DU10 (V56878))	BC,BD	2

57-53-31

 ILLUSTRATED PARTS LIST
 01.1 Page 1098W
 Nov 01/03

FIG. & ITEM	PART NO.	AIRLINE PART NUMBER	NOMENCLATURE 1234567	EFF CODE	QTY PER ASSY
07-565	113T1231-15		..FITTING- (OPT ITEM 565A)	BC	1
-565A	113T1231-11		..FITTING HALF- (OPT ITEM 565)	BC	1
-570	113T1231-16		..FITTING HALF- (OPT ITEM 570A)	BD	1
-570A	113T1231-12		..FITTING HALF- (OPT ITEM 570)	BD	1
575	113T1231-17		..FITTING HALF- (OPT ITEM 575A)	BC	1
-575A	113T1231-13		..FITTING HALF- (OPT ITEM 575)	BC	1
-580	113T1231-18		..FITTING HALF- (OPT ITEM 580A)	BD	1
-580A	113T1231-14		..FITTING HALF- (OPT ITEM 580)	BD	1
585	113T1210-1		.SHAFT	BC	1
-590	113T1210-2		.SHAFT	BD	1

- Item Not Illustrated

57-53-31

ILLUSTRATED PARTS LIST
 01.1 Page 1098X
 Nov 01/03